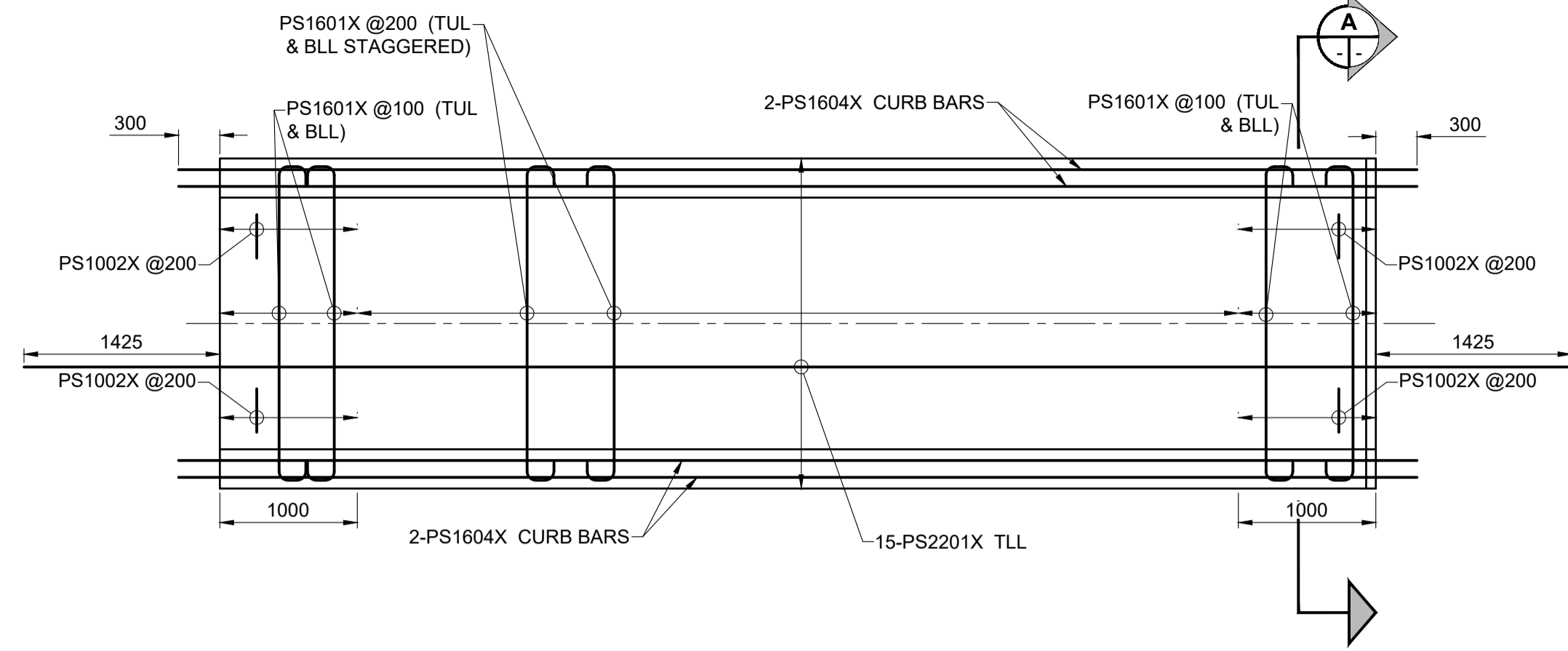
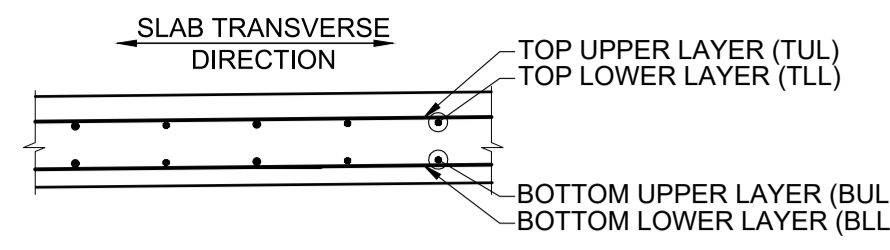


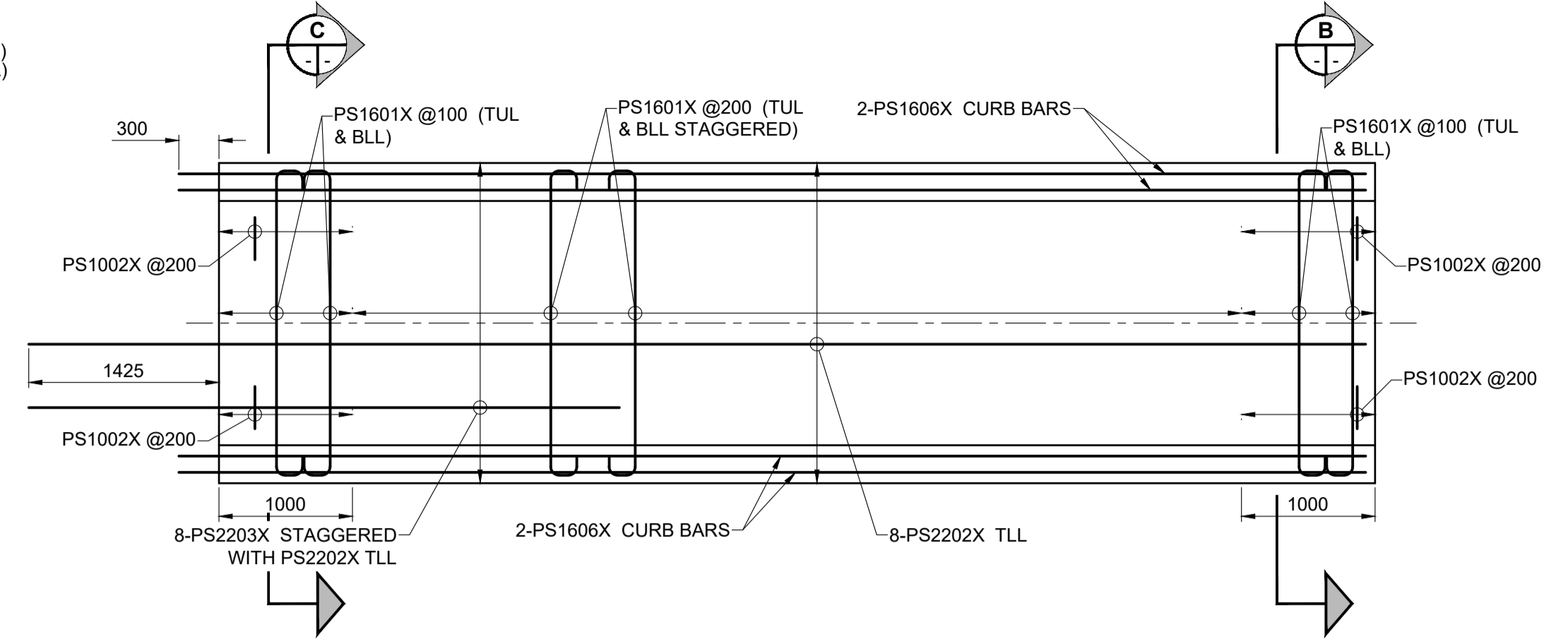
ISO A1 - 594mm x 841mm

PRECAST SLAB REINFORCEMENT LAYERS



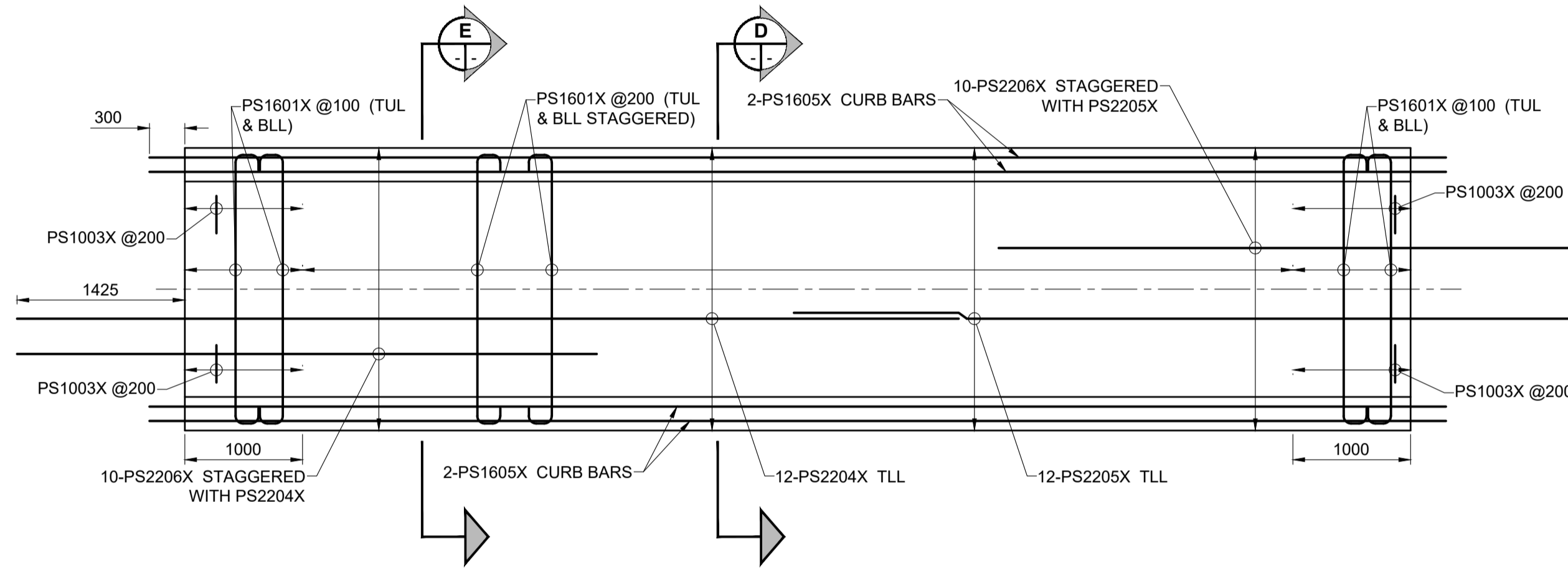
SPAN 1 PRECAST SLAB REINFORCING PLAN (TYPE I)

SCALE: 1:40



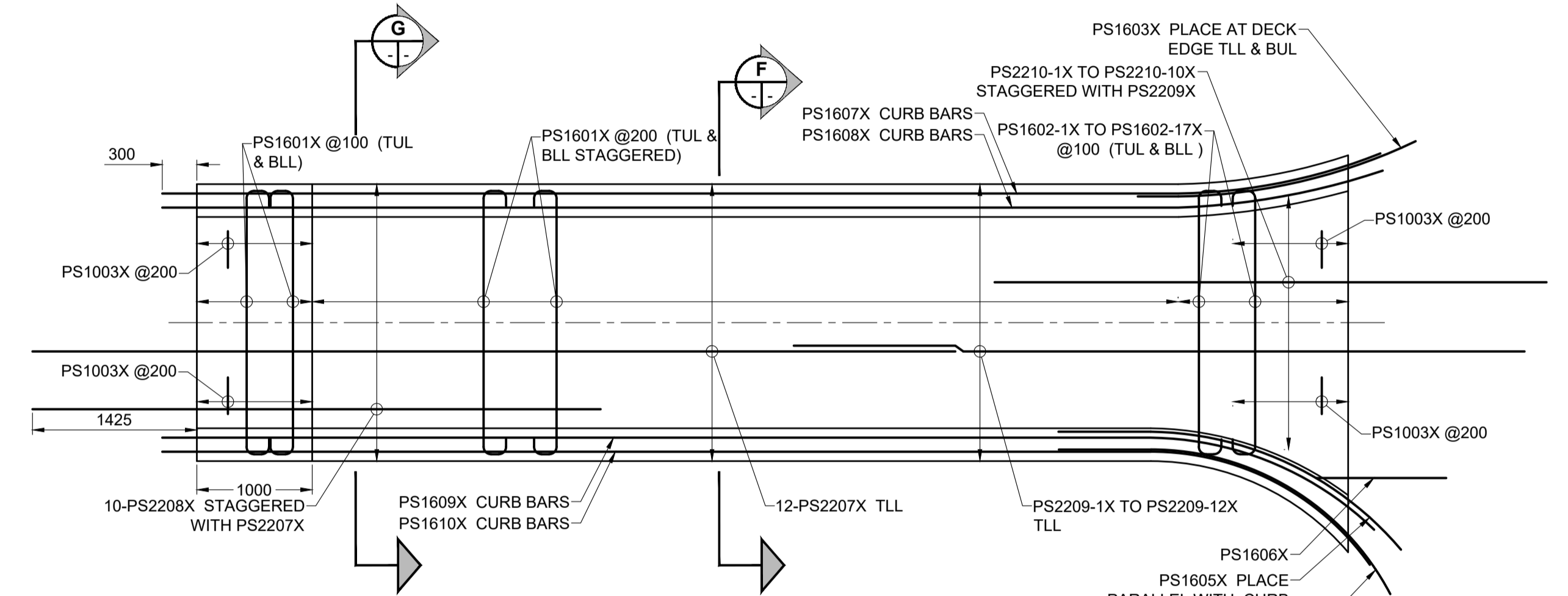
SPAN 2 PRECAST SLAB REINFORCING PLAN (TYPE I)

SCALE: 1:40



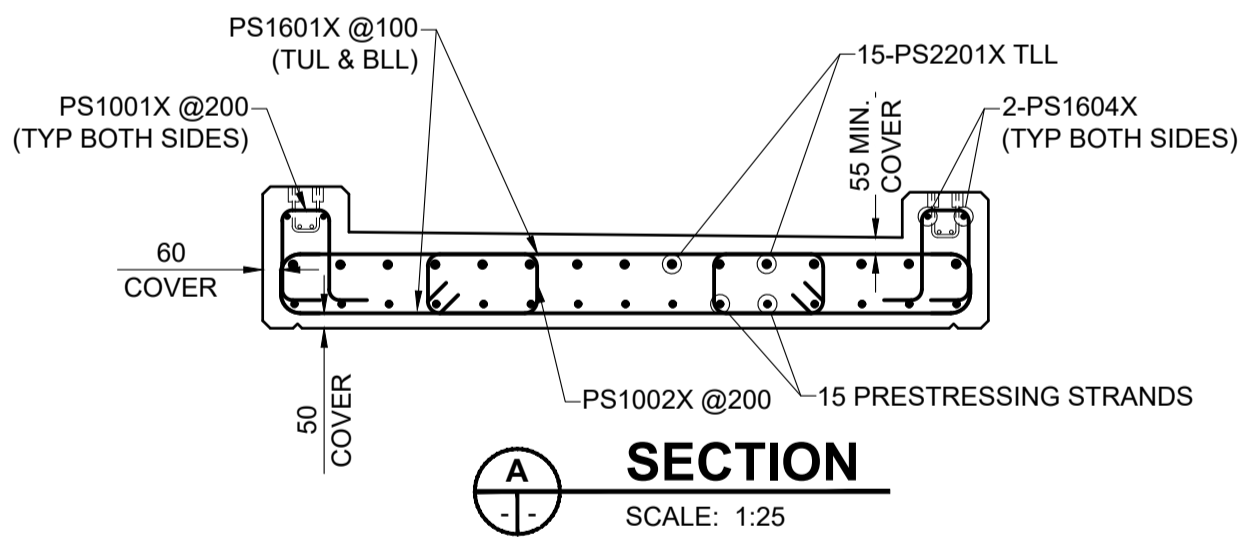
SPANS 3&4 PRECAST SLAB REINFORCING PLAN (TYPE II)

SCALE: 1:40



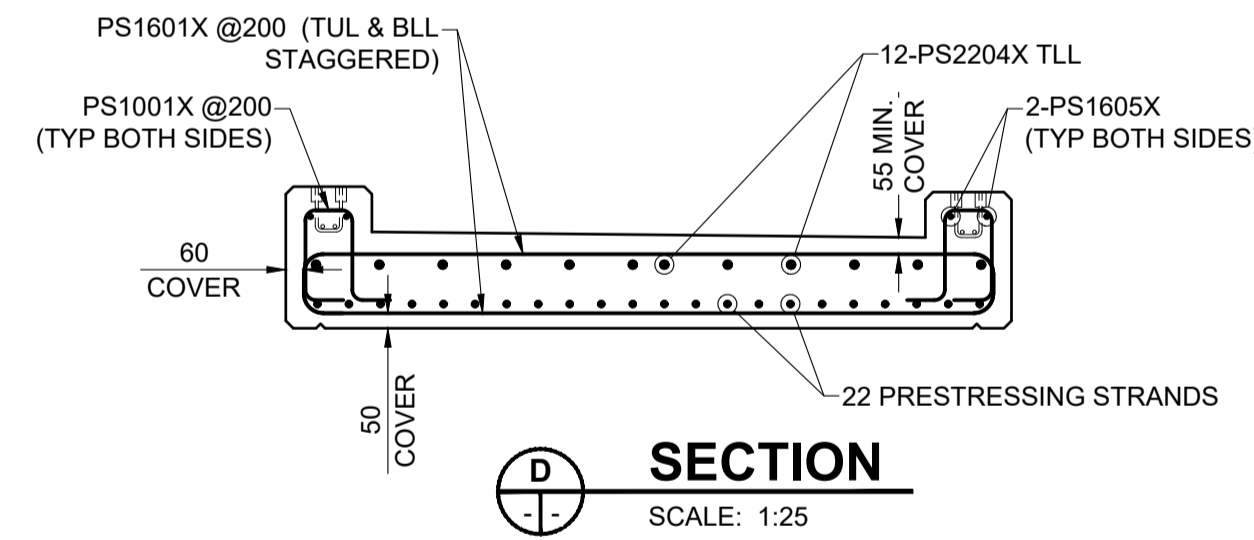
SPANS 5 PRECAST SLAB REINFORCING PLAN (TYPE II)

SCALE: 1:40



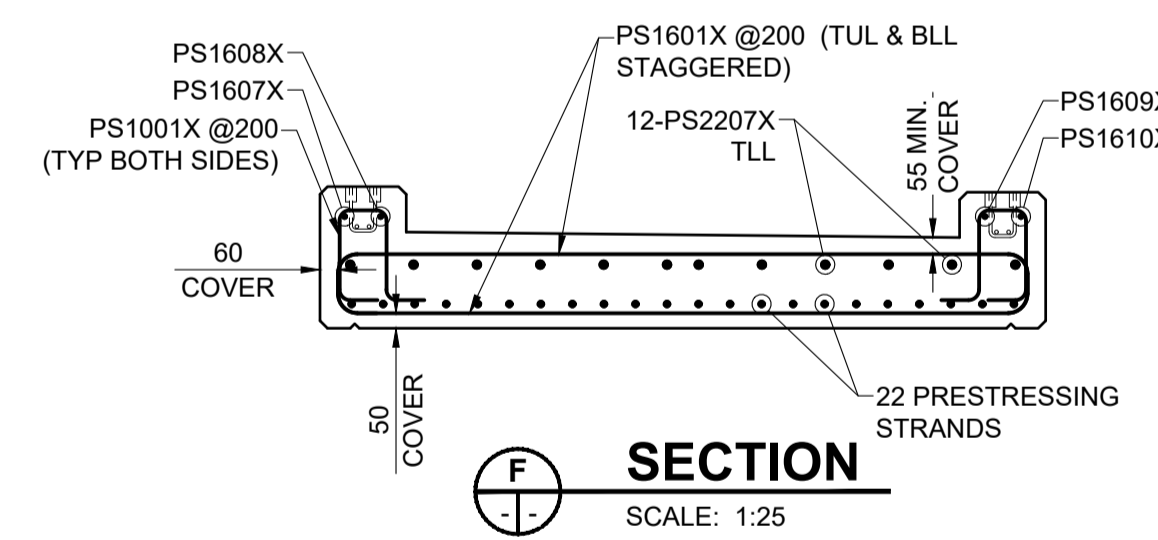
SECTION A

SCALE: 1:25



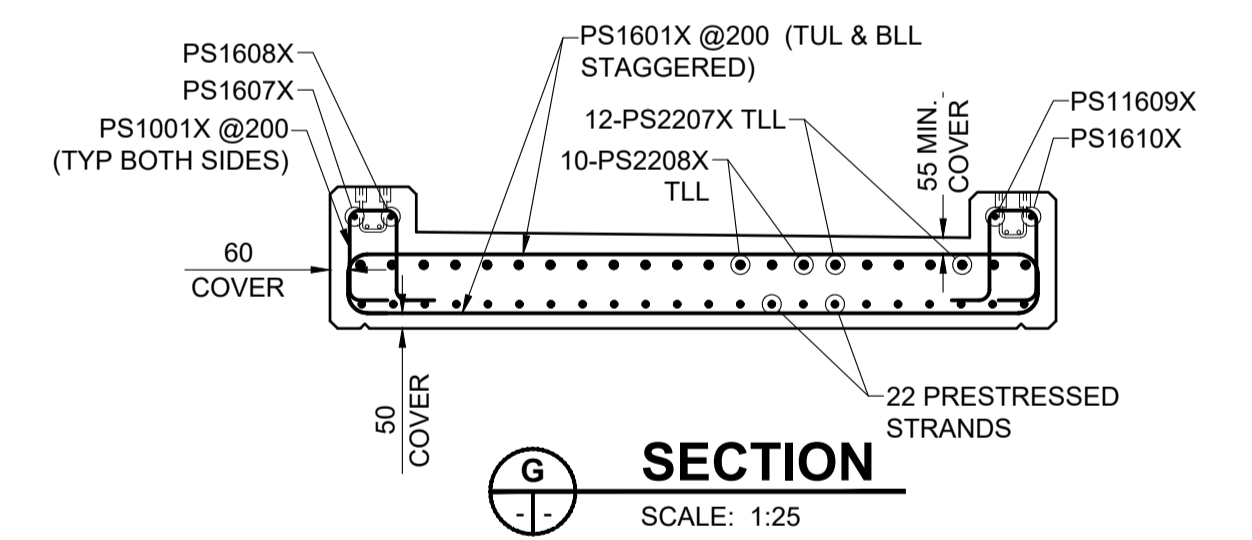
SECTION D

SCALE: 1:25



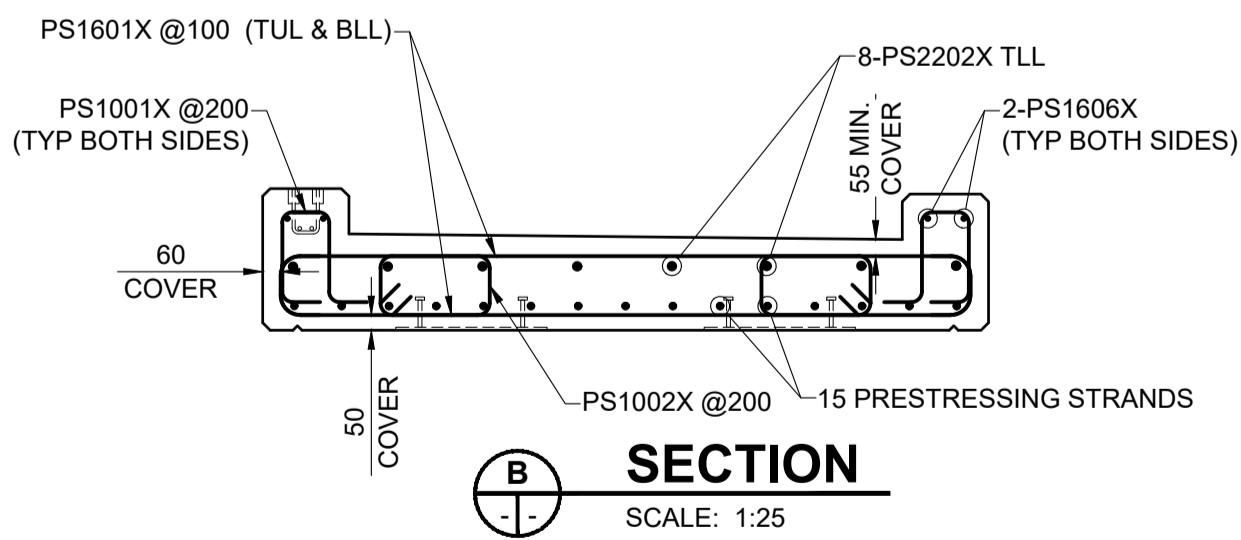
SECTION F

SCALE: 1:25



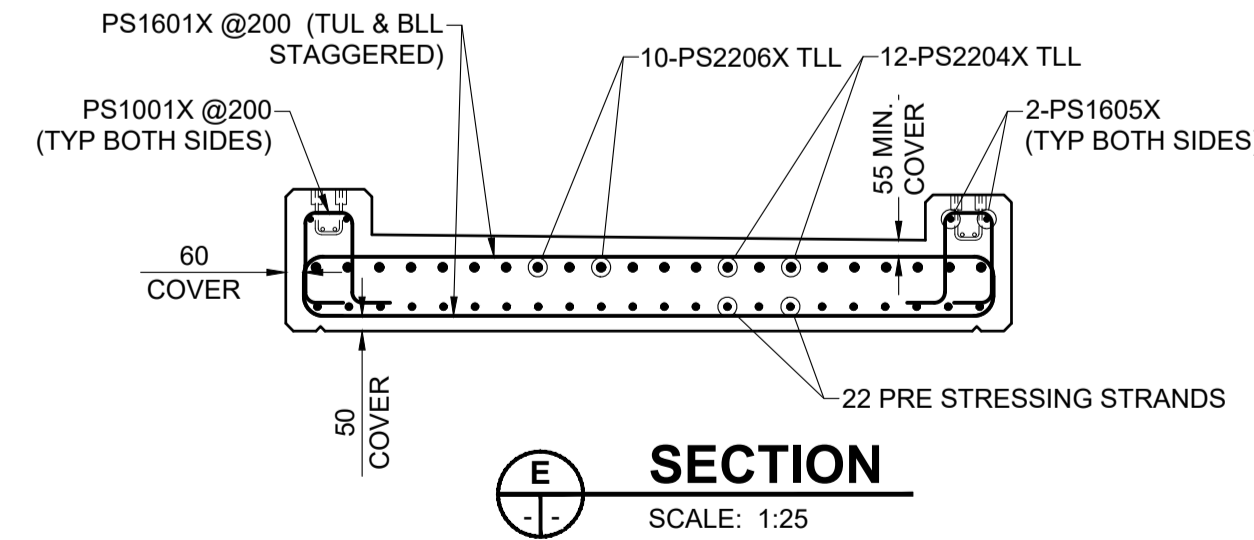
SECTION G

SCALE: 1:25



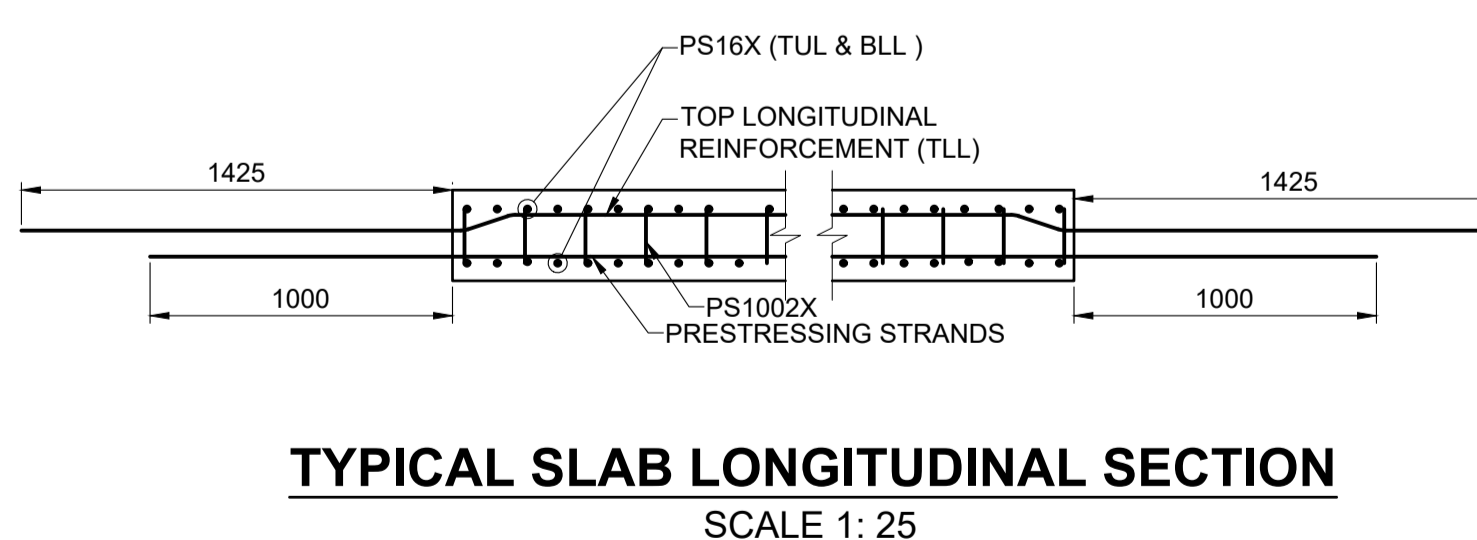
SECTION B

SCALE: 1:25



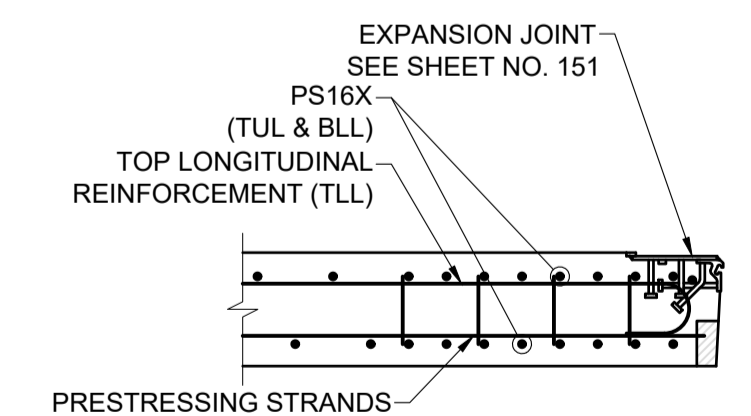
SECTION E

SCALE: 1:25



TYPICAL SLAB LONGITUDINAL SECTION

SCALE 1: 25



SLAB LONGITUDINAL SECTION AT EXPANSION JOINT

SCALE 1: 20

BID OPPORTUNITY No. 602-2018

O:\Winnipeg\Proj\160034\Drawings\06_Sheets\Detailed Design\Structural\Pedestrian Ramps\160034_DD_NSR.dwg, Last Saved: 06/20/18 7:12 PM, by: Y.Moravsky, Plot: 06/20/18 9:38 PM, by: Alex Haggan

LOCATION APPROVED
UNDERGROUND STRUCTURES

DATE: _____

ENGINEERS & GEOSCIENTISTS
MORRISON HERSHFIELD
No. 1736

METRIC
WHOLE NUMBERS INDICATE MILLIMETRES
DECIMALIZED NUMBERS INDICATE METRES

NOTE:
LOCATION OF UNDERGROUND STRUCTURES AS SHOWN ARE BASED ON THE BEST INFORMATION AVAILABLE BUT NO GUARANTEE IS GIVEN THAT ALL EXISTING UTILITIES ARE SHOWN OR THAT THE GIVEN LOCATIONS ARE EXACT. CONFIRMATION OF EXISTENCE AND EXACT LOCATION OF ALL SERVICES MUST BE OBTAINED FROM THE INDIVIDUAL UTILITIES BEFORE PROCEEDING WITH CONSTRUCTION.

NO.	REVISIONS	DATE	BY
A	ISSUED FOR TENDER	18/09/04	BAP
A	ISSUED FOR 95% DESIGN REVIEW	18/08/07	BAP

MORRISON HERSHFIELD	
DESIGNED BY: YM	CHECKED BY: GQW
DRAWN BY: ALP	APPROVED BY: BAP
RELEASED FOR CONSTRUCTION	
DATE: _____	

PROFESSIONAL'S SEAL
PROVINCE OF MANITOBA
G.Q. WEI
Member
38723
REGISTERED PROFESSIONAL ENGINEER

CONSULTANT FILE NAME
W160034 - DD NR.DWG

THE CITY OF WINNIPEG
PUBLIC WORKS DEPARTMENT
ENGINEERING DIVISION

EMPRESS STREET PROJECT
PEDESTRIAN ACCESSIBILITY RAMPS
NORTH RAMP
PRESTRESSED SLAB DETAILS 2

CITY DRAWING NUMBER
P-3494-148

SHEET 148 OF 168

DRAWING No. 148 REV B