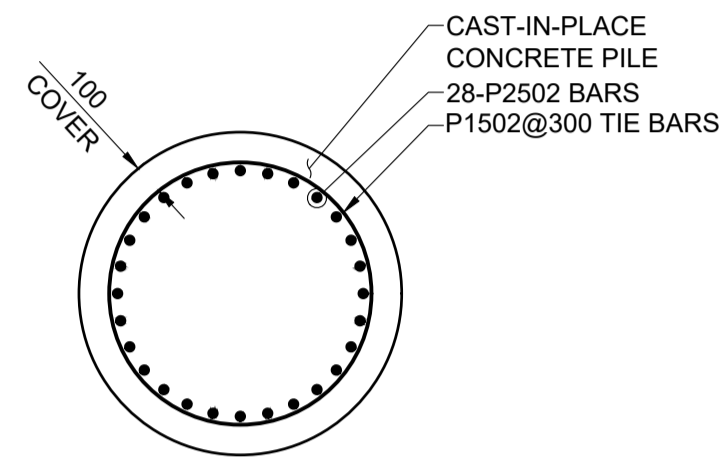
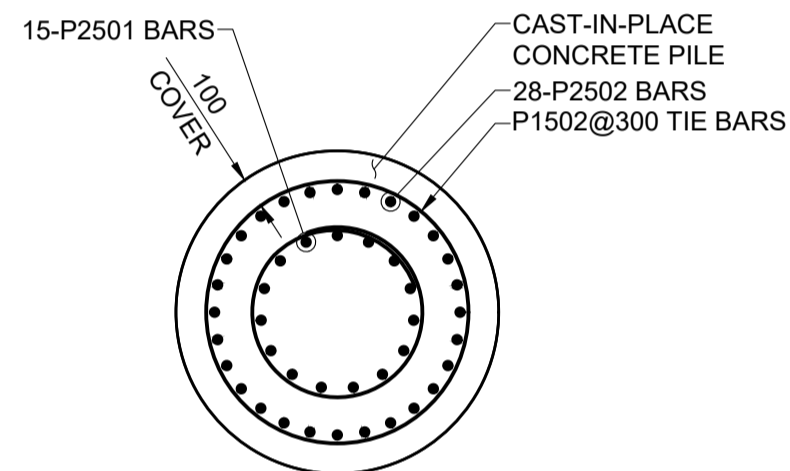


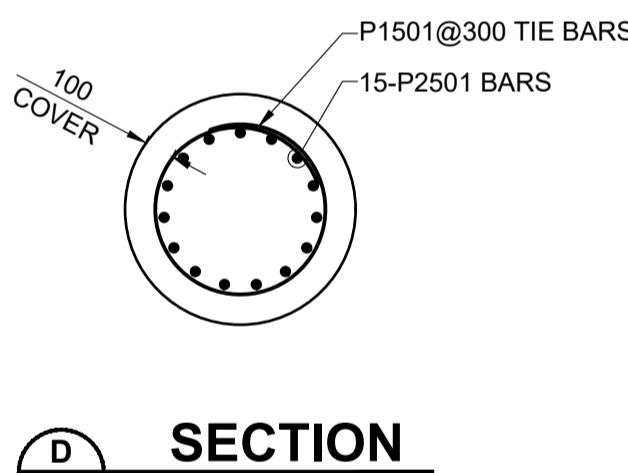
SECTION A SCALE: 1:25



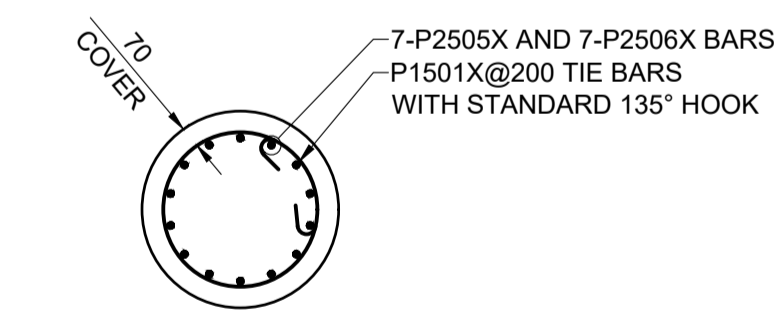
SECTION B SCALE: 1:25



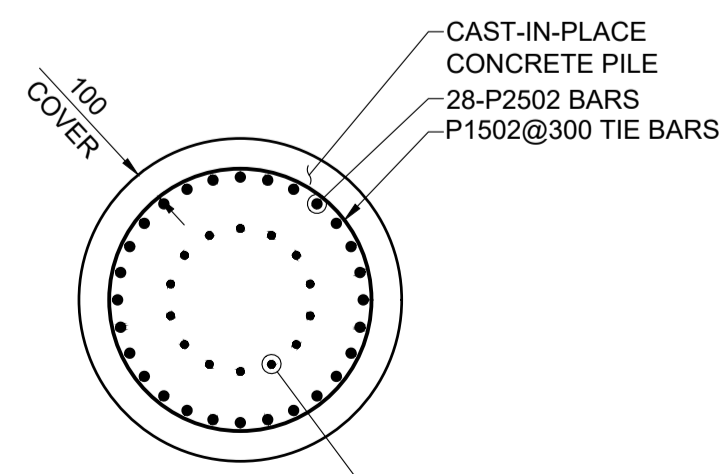
SECTION C SCALE: 1:25



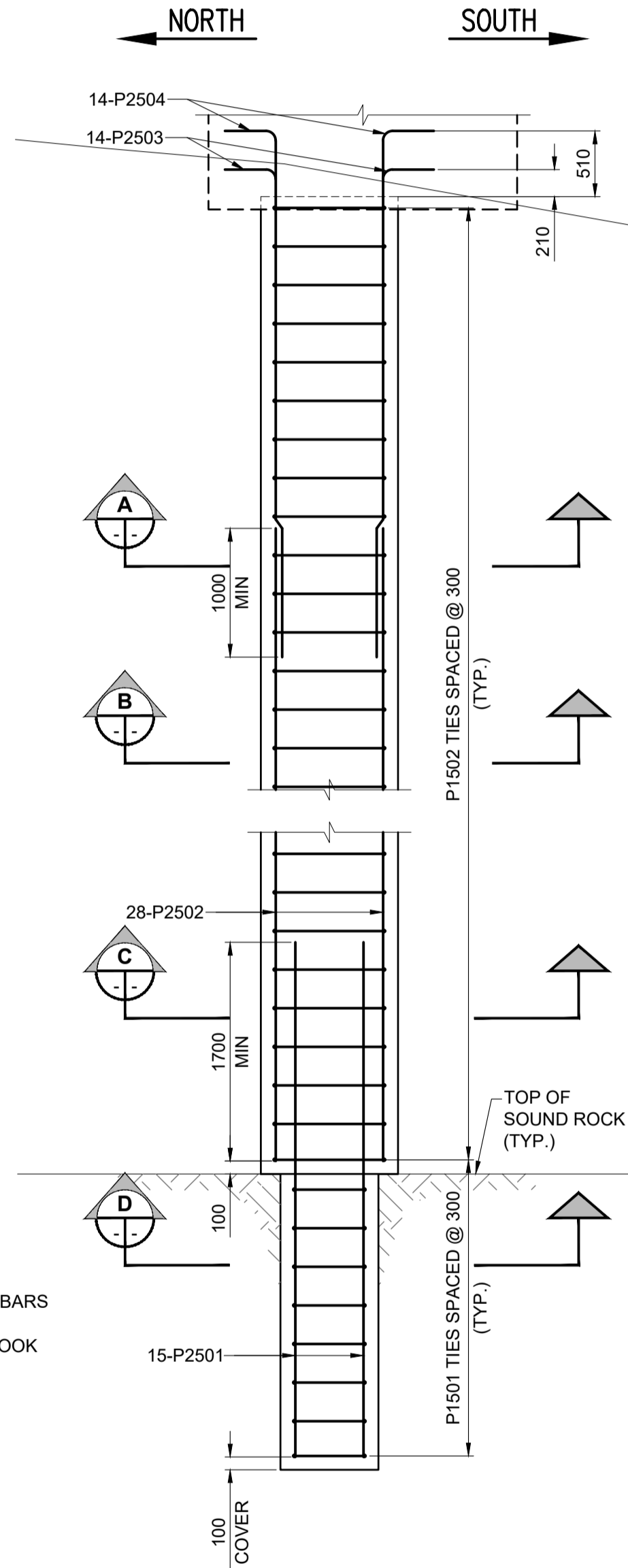
SECTION D SCALE: 1:25



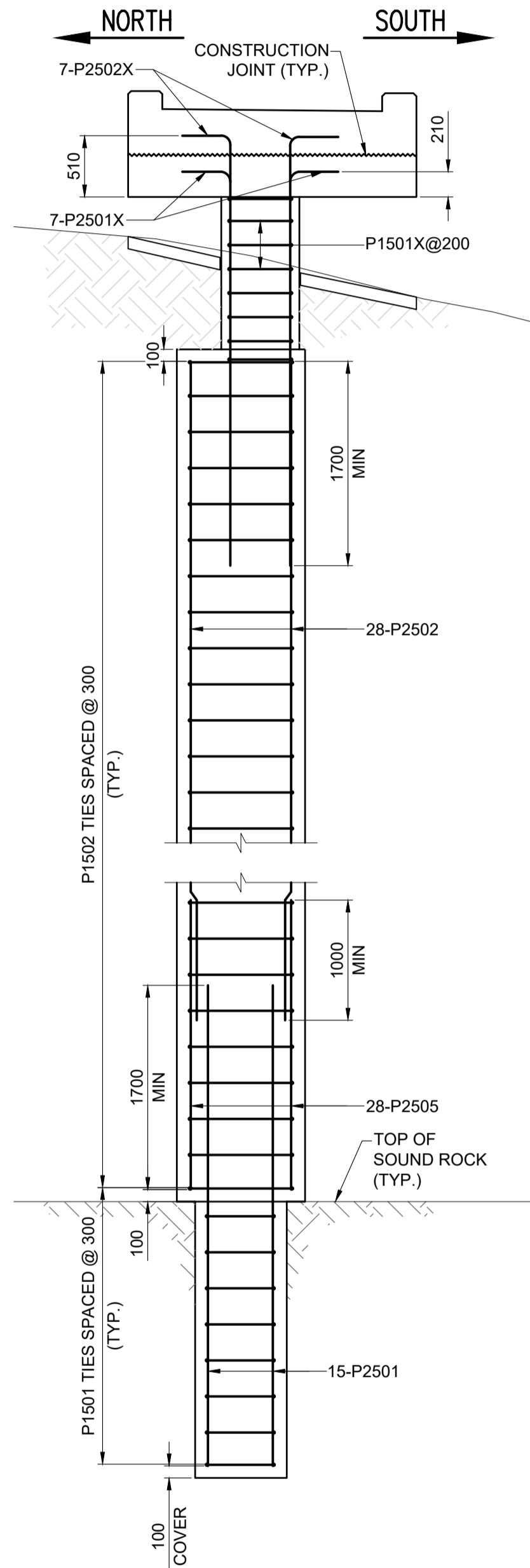
SECTION E SCALE: 1:25



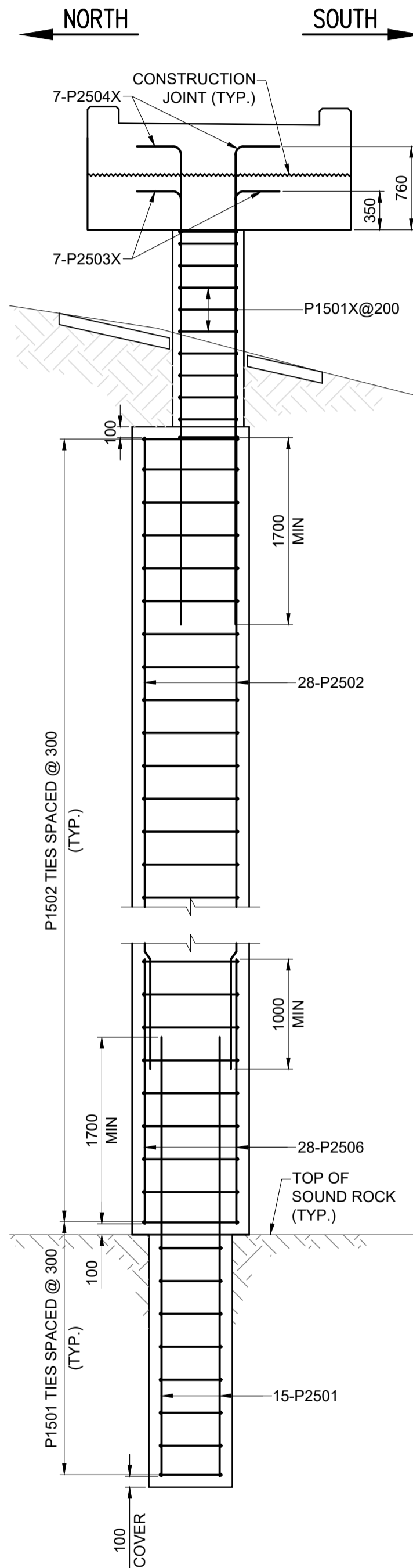
SECTION F SCALE: 1:25



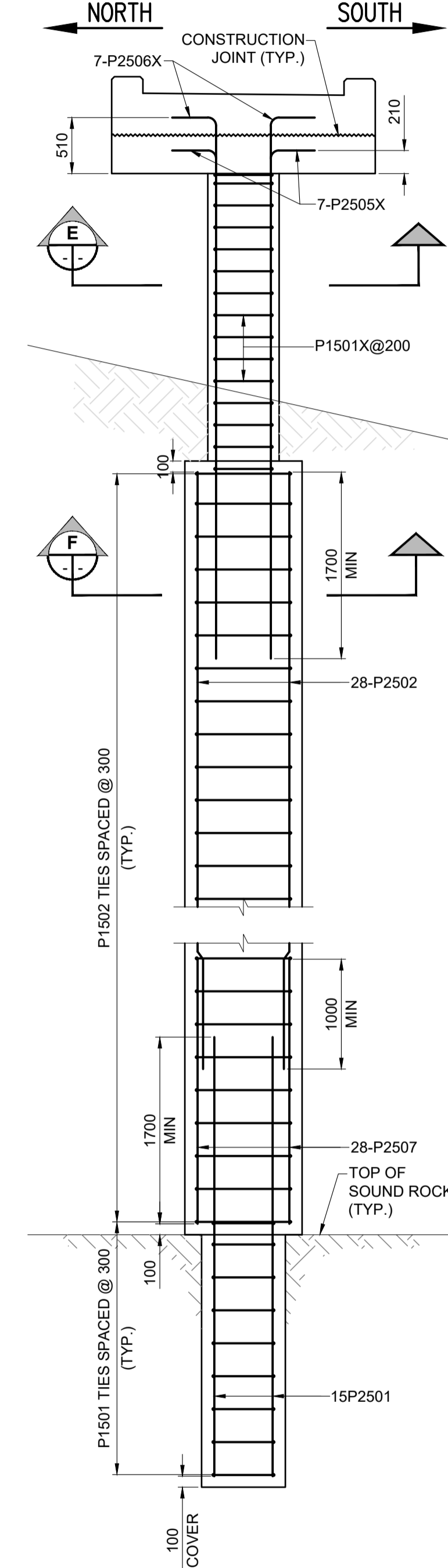
WEST ELEVATION PILE AT SU-1 SCALE: 1:40



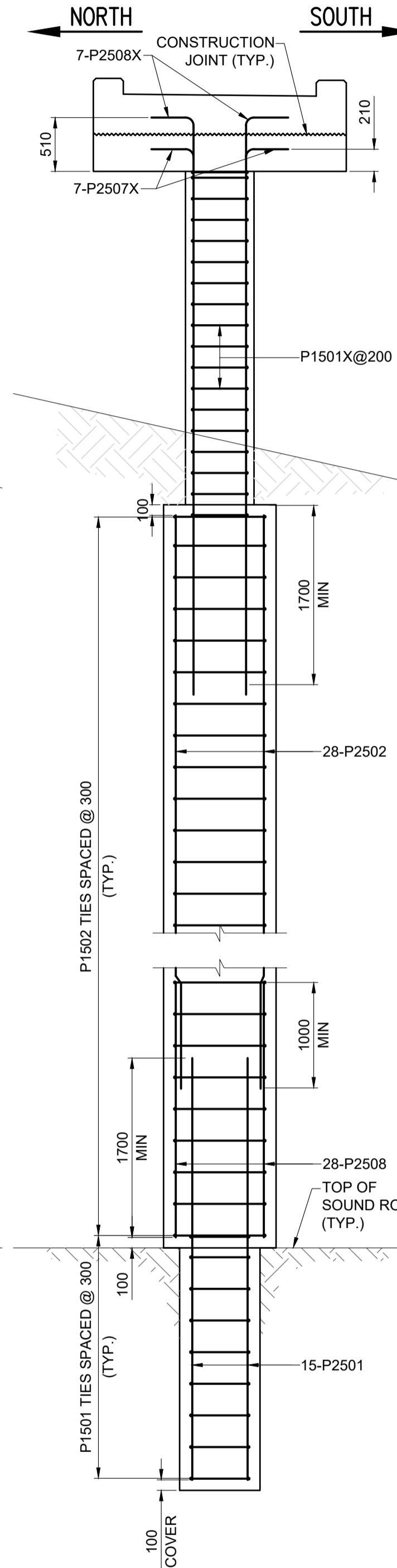
WEST ELEVATION PILE AT SU-2 SCALE: 1:40



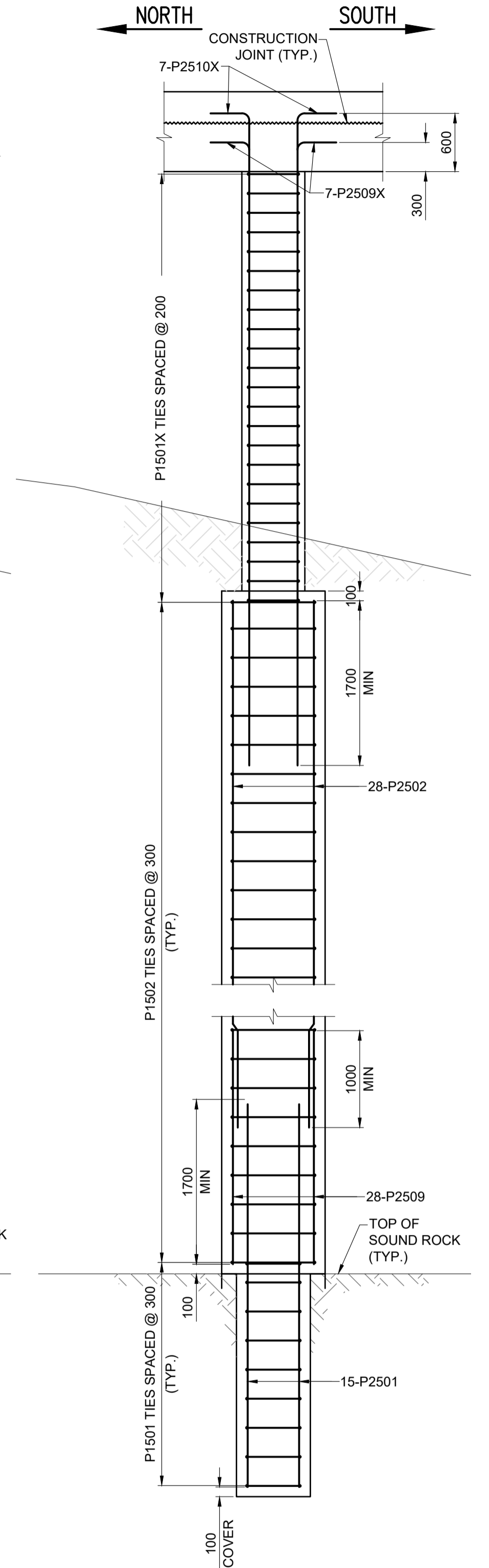
WEST ELEVATION PILE AT SU-3 SCALE: 1:40



WEST ELEVATION PILE AT SU-4 SCALE: 1:40



WEST ELEVATION PILE AT SU-5 SCALE: 1:40



WEST ELEVATION PILE AT SU-6 SCALE: 1:40

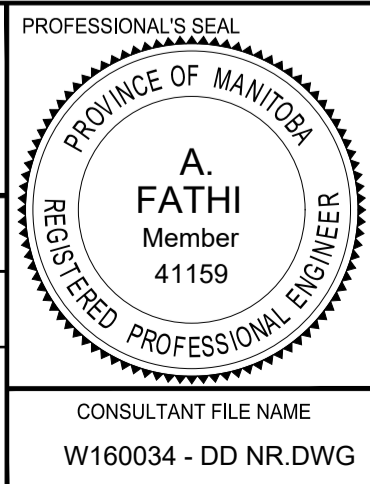


METRIC WHOLE NUMBERS INDICATE MILLIMETRES DECIMALIZED NUMBERS INDICATE METRES

LOCATION APPROVED UNDERGROUND STRUCTURES. SUPR. U/G STRUCTURES COMMITTEE. NOTE: LOCATION OF UNDERGROUND STRUCTURES AS SHOWN ARE BASED ON THE BEST INFORMATION AVAILABLE BUT NO GUARANTEE IS GIVEN THAT ALL EXISTING UTILITIES ARE SHOWN OR THAT THE GIVEN LOCATIONS ARE EXACT. CONFIRMATION OF EXISTENCE AND EXACT LOCATION OF ALL SERVICES MUST BE OBTAINED FROM THE INDIVIDUAL UTILITIES BEFORE PROCEEDING WITH CONSTRUCTION.

Table with columns for BM ELEV, DATE, and REVISIONS. Includes entries for ISSUED FOR TENDER (18/09/04) and ISSUED FOR 95% DESIGN REVIEW (18/08/07).

Table with columns for DESIGNED BY (YM), CHECKED BY (AF), DRAWN BY (ALP), APPROVED BY (BAP), and DATE. Includes scales for HOR SCALE (AS SHOWN) and VERT SCALE (AS SHOWN).



THE CITY OF WINNIPEG PUBLIC WORKS DEPARTMENT ENGINEERING DIVISION. EMPRESS STREET PROJECT PEDESTRIAN ACCESSIBILITY RAMPS NORTH RAMP PILE AND PIER REINFORCEMENT DETAILS. CITY DRAWING NUMBER P-3494-142. SHEET 142 OF 168. DRAWING No. 142 REV B.