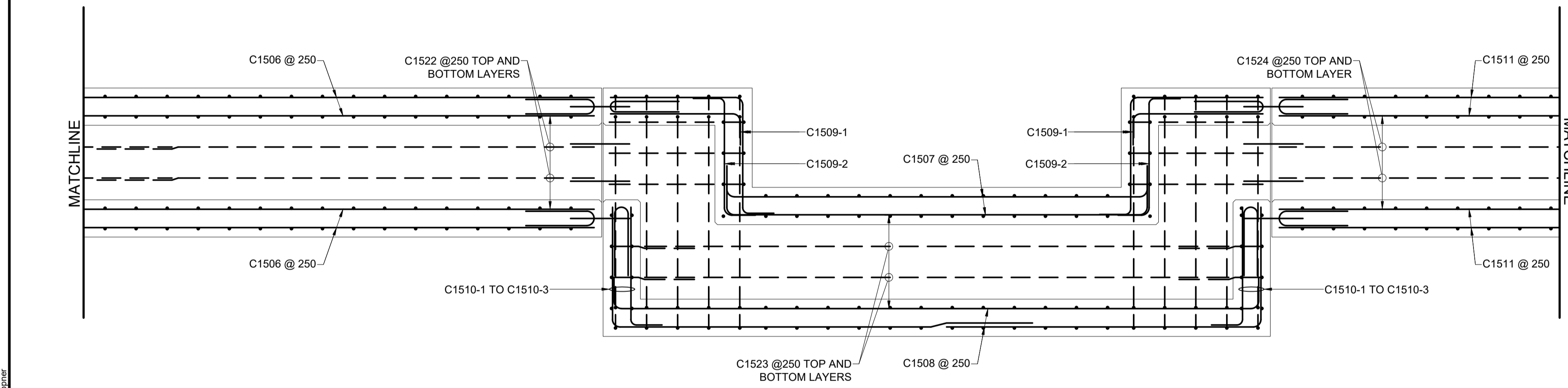
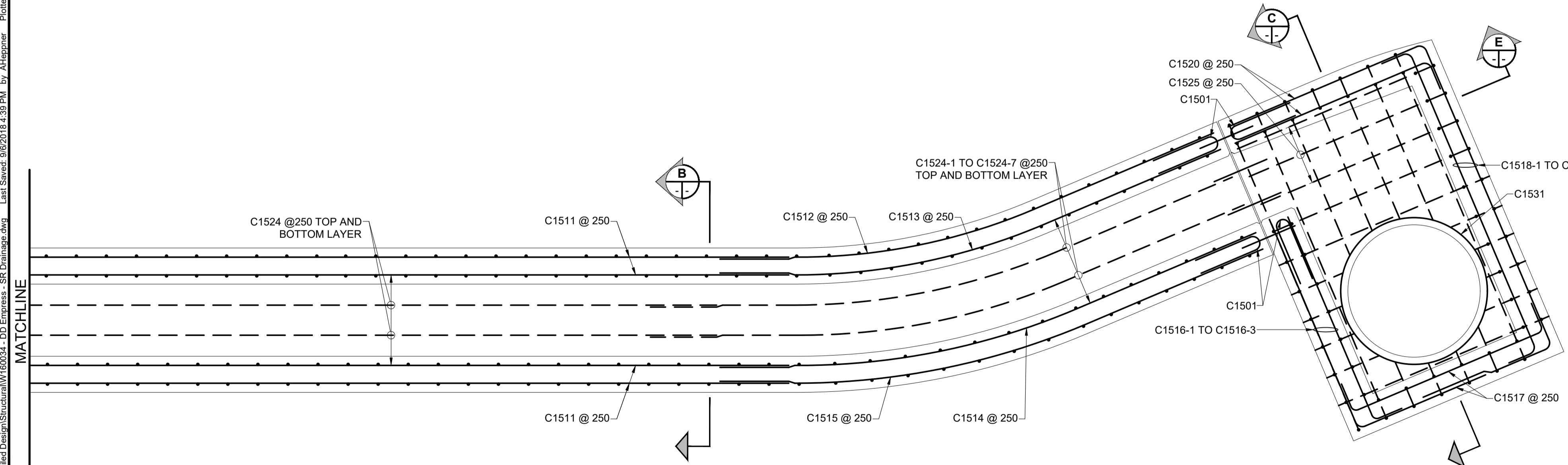


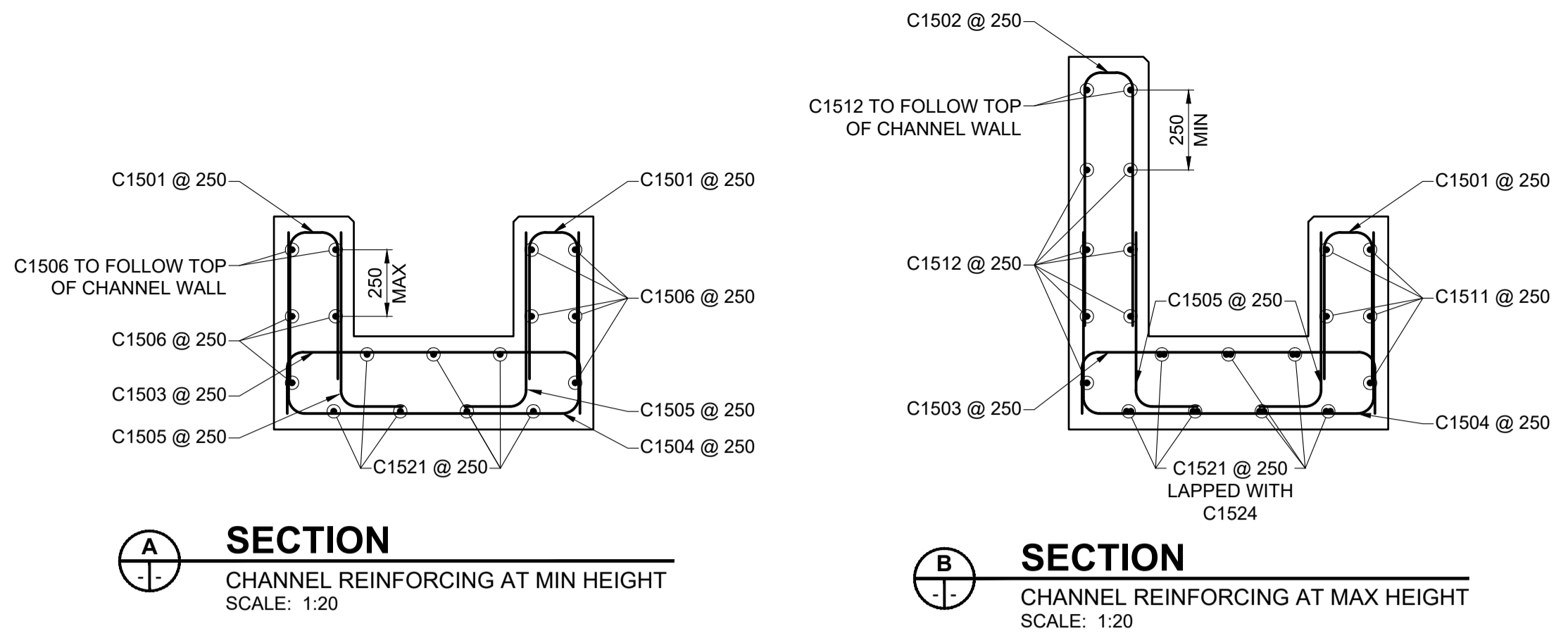
CHANNEL REINFORCING PLAN
HIGH END
SCALE 1:25



CHANNEL REINFORCING PLAN
MIDDLE PORTION
SCALE 1:25

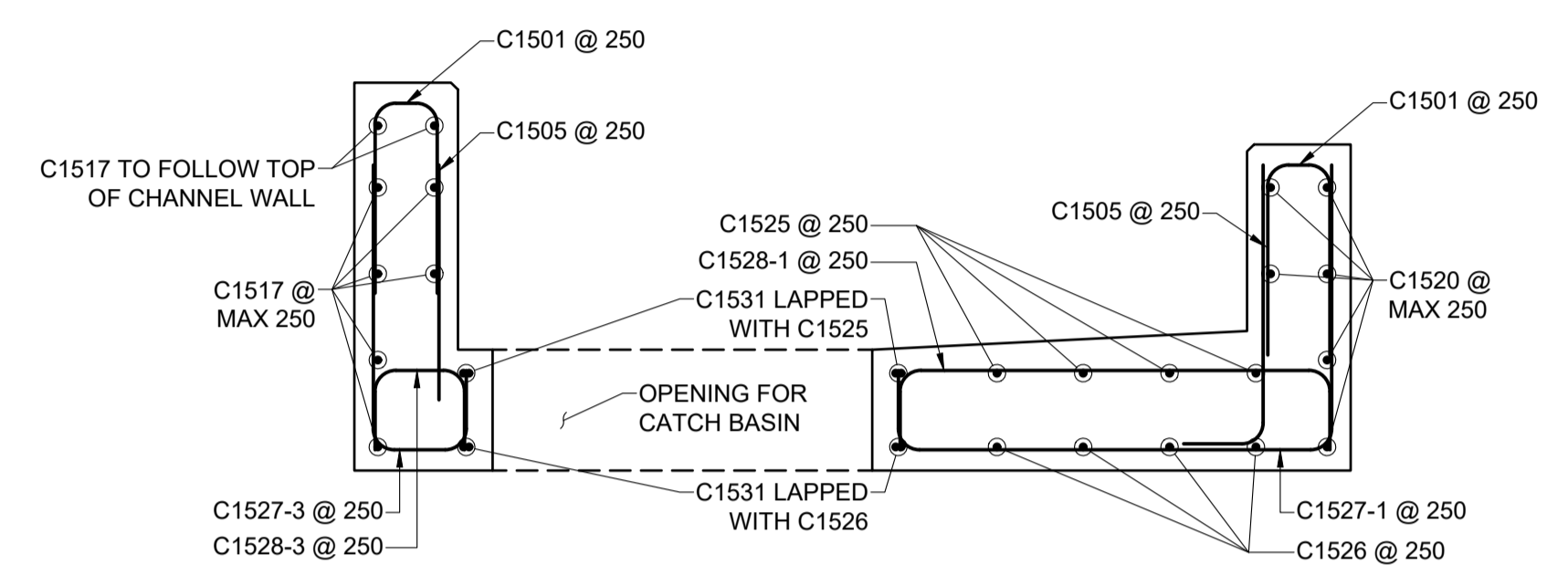


CHANNEL REINFORCING PLAN
LOW END
SCALE 1:25

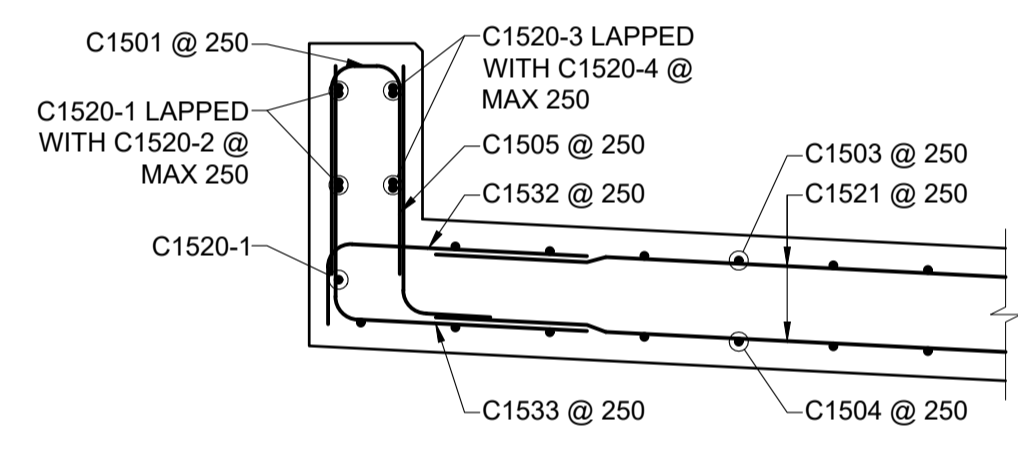


SECTION A
CHANNEL REINFORCING AT MIN HEIGHT
SCALE: 1:20

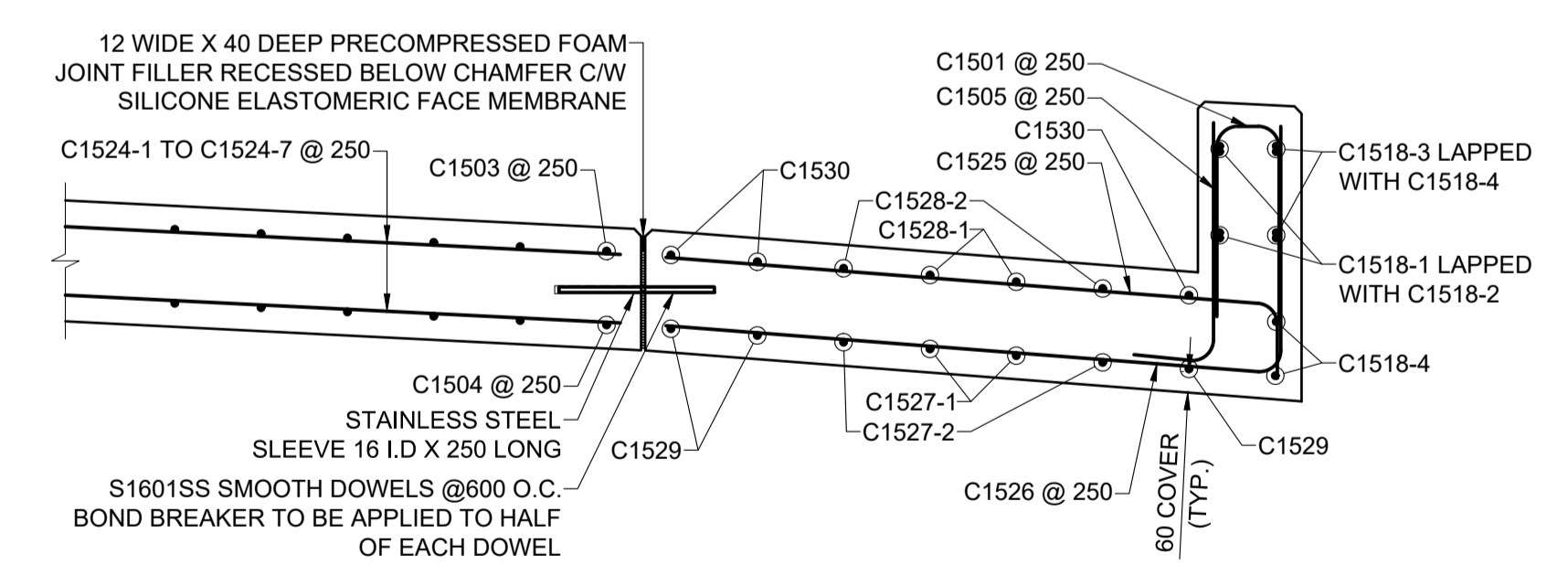
SECTION B
CHANNEL REINFORCING AT MAX HEIGHT
SCALE: 1:20



SECTION C
CHANNEL REINFORCING AT CB LOCATION
SCALE: 1:20



SECTION D
CHANNEL REINFORCING AT HIGH END
SCALE: 1:20



SECTION E
CHANNEL REINFORCING AT LOW END
SCALE: 1:20



Certificate of Authorization
MORRISON HERSHFIELD
No. 1736

METRIC
WHOLE NUMBERS INDICATE MILLIMETRES
DECIMALIZED NUMBERS INDICATE METRES

LOCATION APPROVED
UNDERGROUND STRUCTURES

DATE: _____

NOTE:
LOCATION OF UNDERGROUND STRUCTURES AS SHOWN ARE BASED ON THE BEST INFORMATION AVAILABLE BUT NO GUARANTEE IS GIVEN THAT ALL EXISTING UTILITIES ARE SHOWN OR THAT THE GIVEN LOCATIONS ARE EXACT. CONFIRMATION OF EXISTENCE AND EXACT LOCATION OF ALL SERVICES MUST BE OBTAINED FROM THE INDIVIDUAL UTILITIES BEFORE PROCEEDING WITH CONSTRUCTION.

No.	REVISIONS	DATE	BY
A	ISSUED FOR TENDER	18/09/04	BAP

MORRISON HERSHFIELD		DESIGNED BY: YM		CHECKED BY: BAP	
DRAWN BY: ALP		APPROVED BY: BE		RELEASED FOR CONSTRUCTION: N/A	
HOR SCALE: AS SHOWN		VERT SCALE: AS SHOWN		DATE: _____	

PROFESSIONAL'S SEAL

PROVINCE OF MANITOBA

B.A.F. PHILLIPS
Member
32723

REGISTERED PROFESSIONAL ENGINEER

CONSULTANT FILE NAME
W160034 - DD EMPRESS - SR DRAINAGE DWG

BID OPPORTUNITY No. 602-2018

THE CITY OF WINNIPEG
PUBLIC WORKS DEPARTMENT
ENGINEERING DIVISION

EMPRESS STREET PROJECT
PEDESTRIAN ACCESSIBILITY RAMPS
SOUTH RAMP
DRAINAGE CHANNEL REINFORCEMENT DETAILS

CITY DRAWING NUMBER	P-3494-137
SHEET OF	137 OF 168
DRAWING No.	137
REV	A