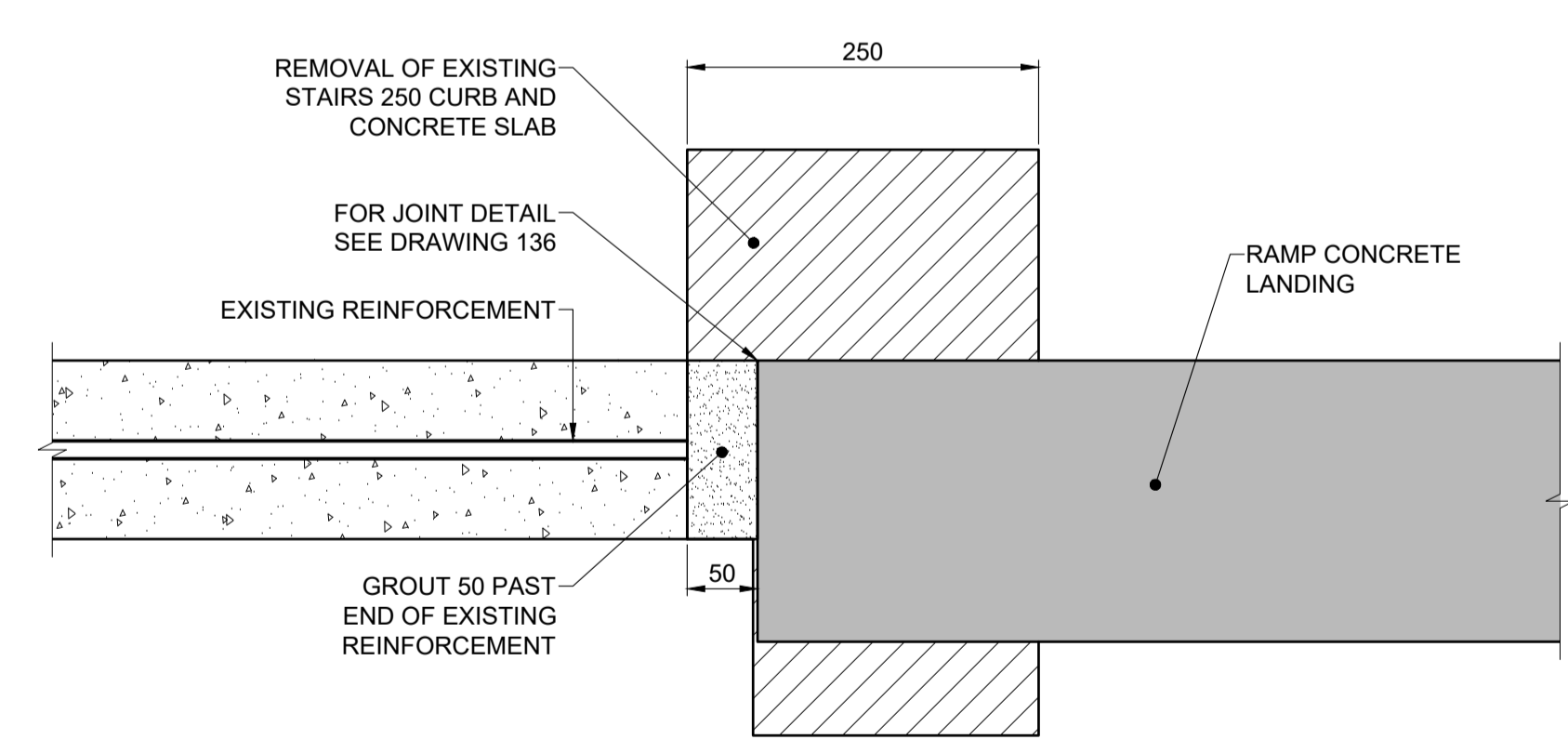


SECTION
 STAIRS AND RAMP LANDING
 SCALE: 1:20



DETAIL
 STAIRS CURB AND SLAB REMOVAL
 SCALE: 1:5

- NOTES:**
- * WALL BATTER ASSUMED AT A MAX OF 6 DEGREES. DESIGN OF WALL BY MODULAR BLOCK RETAINING WALL SUPPLIER.
 - ** WELL GRADED COMPACTED AGGREGATE FOOTINGS DISPLAYED AT ASSUMED 600 BY 1200 DIMENSIONS. DESIGN OF FOOTING BY MODULAR BLOCK RETAINING WALL SUPPLIER.
 - FOR TYPICAL SLAB CROSS SECTION DIMENSIONS SEE SHEET 120.
 - ALL EXPOSED CONCRETE CORNERS TO HAVE A 20mm CHAMFER UNLESS NOTED OTHERWISE.



METRIC
 WHOLE NUMBERS INDICATE MILLIMETRES
 DECIMALIZED NUMBERS INDICATE METRES

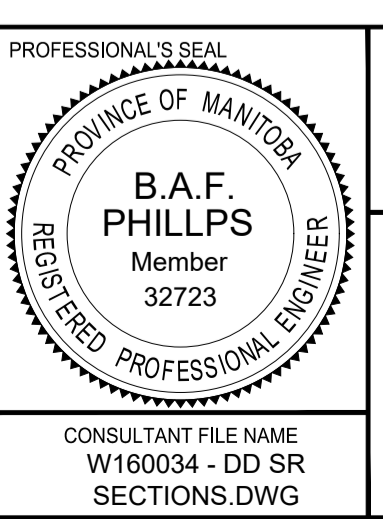
LOCATION APPROVED
 UNDERGROUND STRUCTURES

DATE: _____

NOTE:
 LOCATION OF UNDERGROUND STRUCTURES AS SHOWN ARE BASED ON THE BEST INFORMATION AVAILABLE BUT NO GUARANTEE IS GIVEN THAT ALL EXISTING UTILITIES ARE SHOWN OR THAT THE GIVEN LOCATIONS ARE EXACT. CONFIRMATION OF EXISTENCE AND EXACT LOCATION OF ALL SERVICES MUST BE OBTAINED FROM THE INDIVIDUAL UTILITIES BEFORE PROCEEDING WITH CONSTRUCTION.

NO.	REVISIONS	DATE	BY
C	ISSUED FOR TENDER	18/09/04	BAP
B	ISSUED FOR 95% DESIGN REVIEW	18/08/07	BAP
A	ISSUED FOR 50% DESIGN REVIEW	18/06/28	BAP

MORRISON HERSHFIELD		DESIGNED BY: YM		CHECKED BY: BAP	
DRAWN BY: ALP		APPROVED BY: BE		RELEASED FOR CONSTRUCTION	
HOR SCALE: AS SHOWN		VERT SCALE: AS SHOWN		N/A	
DATE: _____		DATE: _____		DATE: _____	



THE CITY OF WINNIPEG
 PUBLIC WORKS DEPARTMENT
 ENGINEERING DIVISION

EMPRESS STREET PROJECT
 PEDESTRIAN ACCESSIBILITY RAMPS
 SOUTH RAMP
 CROSS SECTIONS 5

CITY DRAWING NUMBER: P-3494-126
 SHEET 126 OF 168
 DRAWING No. 126 REV C

CONSULTANT FILE NAME: W160034 - DD SR SECTIONS.DWG