

SOUTH RAMP ELEVATIONS			
Location	Elevation	Northing	Easting
WP1	232.633	8986.8247	10764.3612
WP2	232.442	8988.4540	10769.6905
WP3	232.582	8985.6509	10767.8957
WP4	232.546	8985.5308	10770.4398
WP5	232.526	8985.9436	10772.0640
WP6	232.508	8987.7172	10771.6132
WP7	233.570	8991.0848	10792.2960
WP8	233.496	8990.6364	10794.6039
WP9	233.537	8988.5976	10795.5303
WP10	233.552	8992.8584	10791.8453

SOUTH RAMP ELEVATIONS			
Location	Elevation	Northing	Easting
WP11	233.486	8993.1837	10793.1255
WP12	233.345	8993.0167	10797.5292
WP13	233.353	8992.9850	10798.3636
WP14	233.547	8988.0202	10797.3397
WP15	233.594	8986.4897	10798.1172
WP16	233.598	8986.5214	10797.2828
WP17	233.580	8986.5907	10795.4542
WP18	233.836	8981.7633	10797.1024
WP19	233.818	8981.8326	10795.2737
WP20	233.960	8979.3438	10797.5870

SOUTH RAMP ELEVATIONS			
Location	Elevation	Northing	Easting
WP21	233.942	8978.5754	10795.9262
WP22	234.072	8977.3017	10798.5318
WP23	234.054	8976.5333	10796.8710
WP24	234.178	8974.5411	10799.1858
WP25	234.160	8974.4827	10797.3567
WP26	234.673	8964.8330	10800.2960
WP27	234.665	8964.8074	10799.4964
WP28	234.647	8964.7491	10797.6673
WP29	234.673	8962.4342	10800.3725
WP30	234.665	8962.4087	10799.5730

SOUTH RAMP ELEVATIONS			
Location	Elevation	Northing	Easting
WP31	234.647	8962.3503	10797.7439
WP32	235.529	8945.1277	10800.1244
WP33	235.511	8945.0693	10798.2953
WP34	235.555	8940.7044	10798.4346
WP35	235.532	8939.7680	10798.6756
WP36	235.377	8933.8264	10801.7085
WP37	235.370	8933.8064	10802.0078
WP38	235.617	8942.2425	10802.6099
WP39	234.638	8963.2798	10797.7142

NOTE: SOUTH RAMP ELEVATIONS WP1 TO WP 39 ARE LOCATED IN THE GUTTER

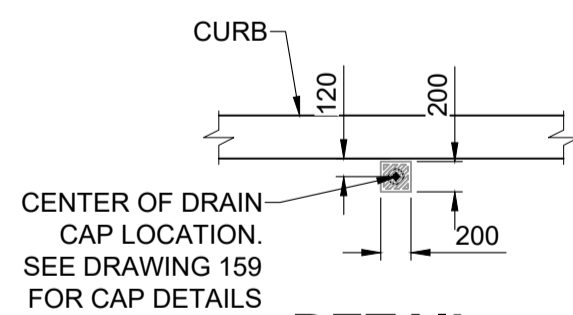
CURVE TABLE						
Curve #	Length	Radius	Delta	BC Northing	BC Easting	EC Easting
C1	2.738	5.000	031°22'32"	8985.380	10767.806	8985.254
C2	1.757	1.500	067°06'54"	8988.541	10769.978	8987.993
C3	4.114	2.215	106°25'49"	8988.608	10795.245	8990.839
C4	3.487	7.400	027°00'00"	8981.843	10794.989	8978.456
C5	2.356	5.000	027°00'00"	8981.752	10797.387	8979.463
C6	2.007	5.000	023°00'00"	8974.474	10797.072	8976.414
C7	2.971	7.400	023°00'00"	8974.550	10799.471	8977.421
C8	3.164	2.500	072°31'01"	8944.970	10800.415	8942.643
C9	1.100	2.500	025°12'51"	8940.695	10798.150	8939.638

NOTE: CURVE DATA IS PROVIDED FOR OUTSIDE CURVES, OFFSET AS SHOWN FOR INSIDE GUTTER CURVES

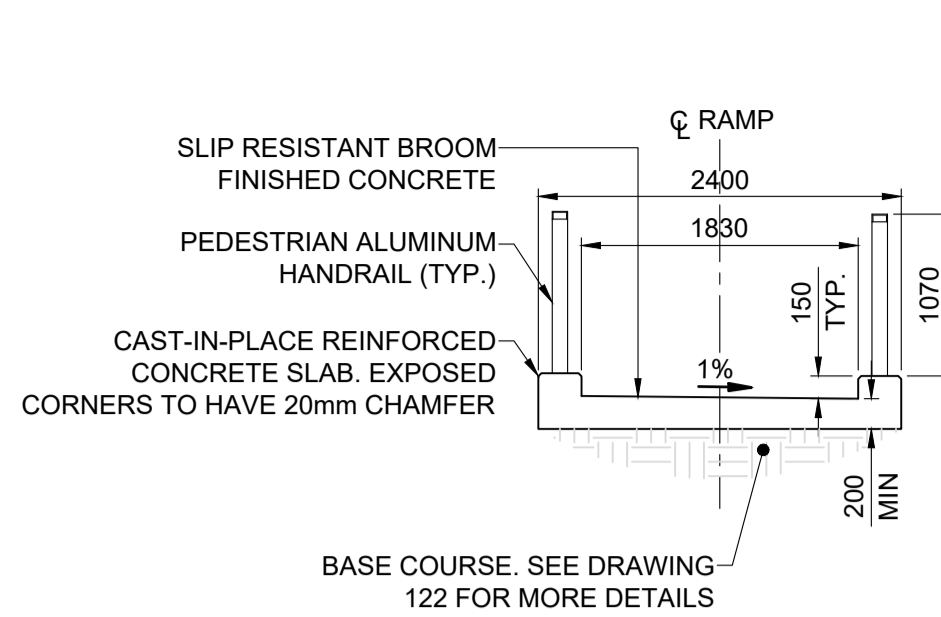
BASE OF SLOPE AT DRAINAGE CHANNEL WALL			
Location	Elevation	Northing	Easting
WP45	235.679	8945.1748	10801.6086
WP46	235.317	8953.4103	10801.3458
WP47	235.241	8959.3904	10801.1550
WP48	235.204	8960.9717	10801.1046
WP49	235.471	8960.9972	10801.9042
WP50	235.345	8966.3645	10801.7329
WP51	235.078	8966.3390	10800.9333
WP52	234.884	8974.5071	10800.6727
WP53	234.337	8977.4820	10800.0846
WP54	233.782	8979.0059	10799.3796
WP55	234.424	8979.7139	10800.9100
WP56	234.124	8981.4383	10800.1122

TOP OF DRAINAGE CHANNEL SLAB			
Location	Elevation	Northing	Easting
WP40	235.214	8945.4555	10800.9994
WP41	234.439	8960.9406	10800.5053
WP42	234.221	8966.3319	10800.3332
WP43	233.590	8978.7539	10798.8350
WP44	233.504	8979.9463	10799.1498

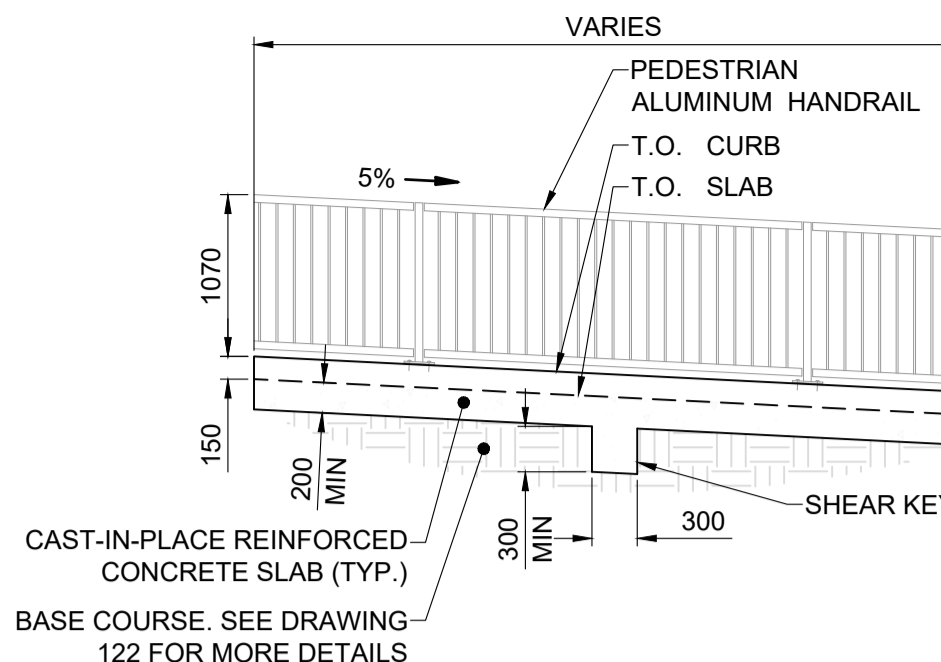
SOUTH RAMP CENTER OF DRAIN CAP LOCATIONS		
Location	Northing	Easting
DRAIN 1	8988.8736	10776.6512
DRAIN 2	8991.4442	10786.7671
DRAIN 3	8992.8968	10797.5247
DRAIN 4	8977.9528	10796.3464
DRAIN 5	8963.2836	10797.8342
DRAIN 6	8949.2358	10798.2824



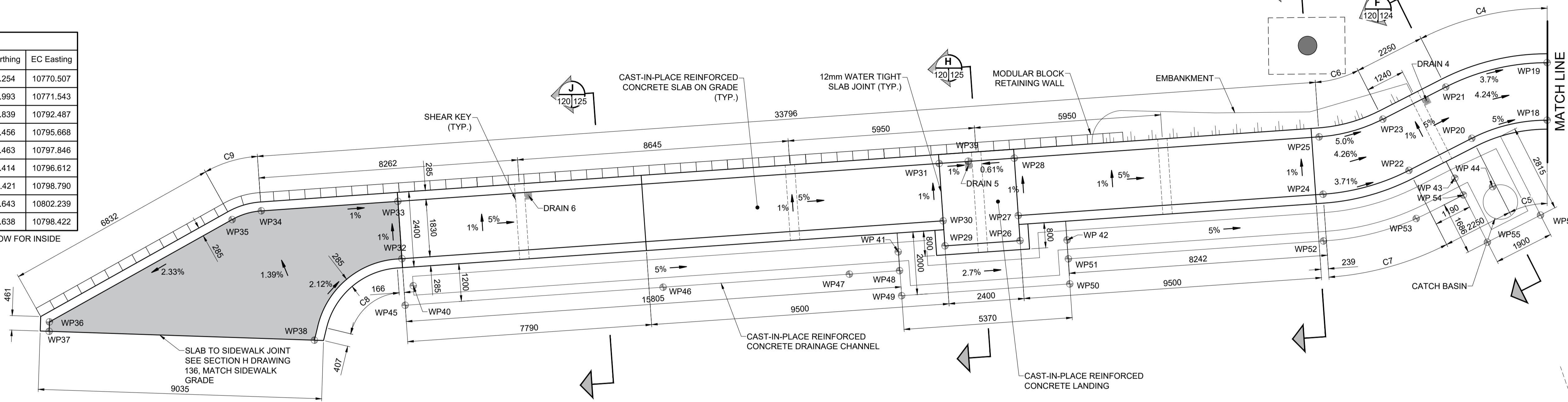
DETAIL TYP. DRAIN LAYOUT SCALE: 1:50



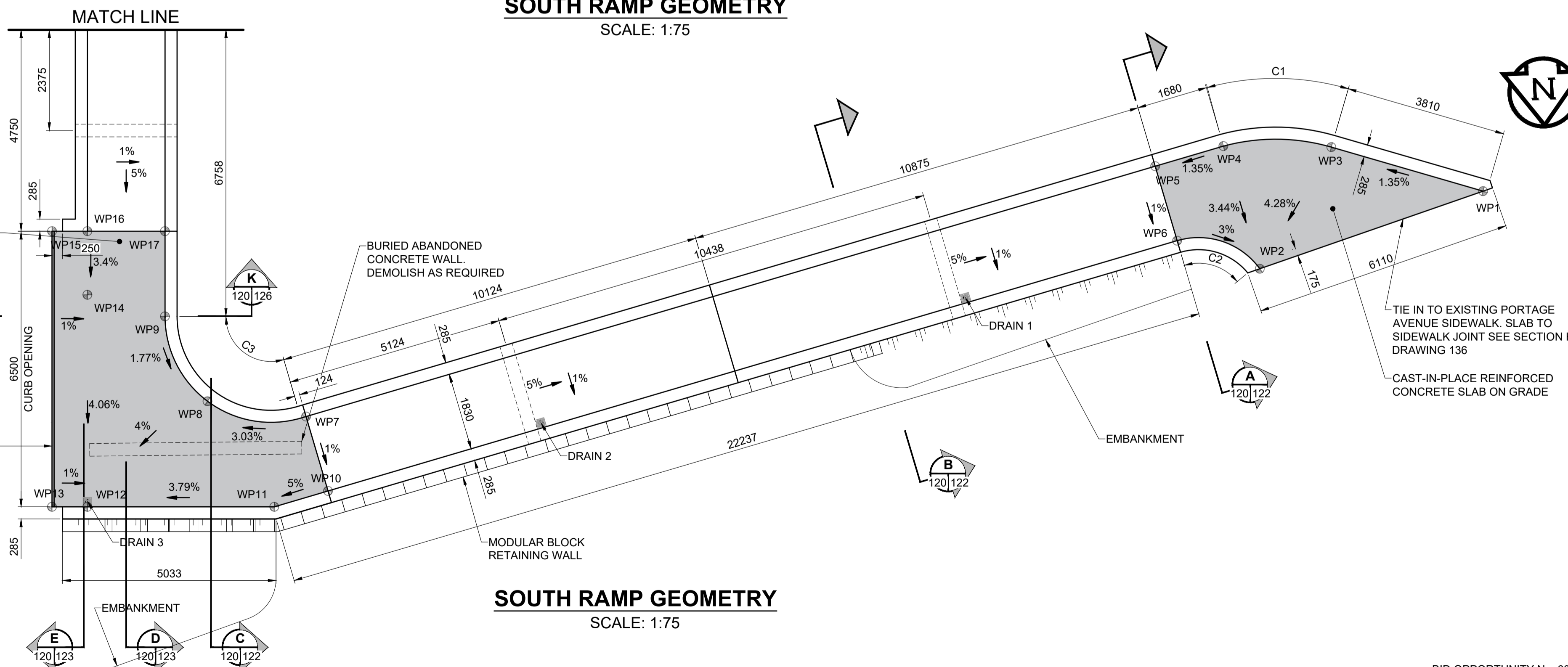
ELEVATION VIEW TYP. SLAB TRANSVERSE SECTION SCALE: 1:50



ELEVATION VIEW TYP. SLAB LONGITUDINAL SECTION SCALE: 1:50



SOUTH RAMP GEOMETRY SCALE: 1:75



SOUTH RAMP GEOMETRY SCALE: 1:75

LEGEND

CONSTANT 200 THICK SLAB, GRADE BASE MATERIAL TO ACHIEVE DESIRED TOP OF SLAB GRADES



METRIC
WHOLE NUMBERS INDICATE MILLIMETRES
DECIMALIZED NUMBERS INDICATE METRES

LOCATION APPROVED
UNDERGROUND STRUCTURES

DATE: _____

NOTE:
LOCATION OF UNDERGROUND STRUCTURES AS SHOWN ARE BASED ON THE BEST INFORMATION AVAILABLE BUT NO GUARANTEE IS GIVEN THAT ALL EXISTING UTILITIES ARE SHOWN OR THAT THE GIVEN LOCATIONS ARE EXACT. CONFIRMATION OF EXISTENCE AND EXACT LOCATION OF ALL SERVICES MUST BE OBTAINED FROM THE INDIVIDUAL UTILITIES BEFORE PROCEEDING WITH CONSTRUCTION.

NO.	REVISIONS	DATE	BY
C	ISSUED FOR TENDER	18/09/04	BAP
B	ISSUED FOR 95% DESIGN REVIEW	18/08/07	BAP
A	ISSUED FOR 50% DESIGN REVIEW	18/06/28	BAP

DESIGNED BY		CHECKED BY	
ALP/YM		BAP	
DRAWN BY		APPROVED BY	
ALP/TN		BAP	
HOR SCALE		VERT SCALE	
AS SHOWN		AS SHOWN	
DATE		DATE	
18/09/04		18/09/04	

PROFESSIONAL'S SEAL
PROVINCE OF MANITOBA
B.A.F. PHILLIPS
Member
32723
REGISTERED PROFESSIONAL ENGINEER

CONSULTANT FILE NAME
W160034 - DD SR.DWG

THE CITY OF WINNIPEG
PUBLIC WORKS DEPARTMENT
ENGINEERING DIVISION

EMPRESS STREET PROJECT
PEDESTRIAN ACCESSIBILITY RAMPS
SOUTH RAMP
GEOMETRY

CITY DRAWING NUMBER: P-3494-120
SHEET OF: 120 OF 168
DRAWING NO.: 120
REV: C