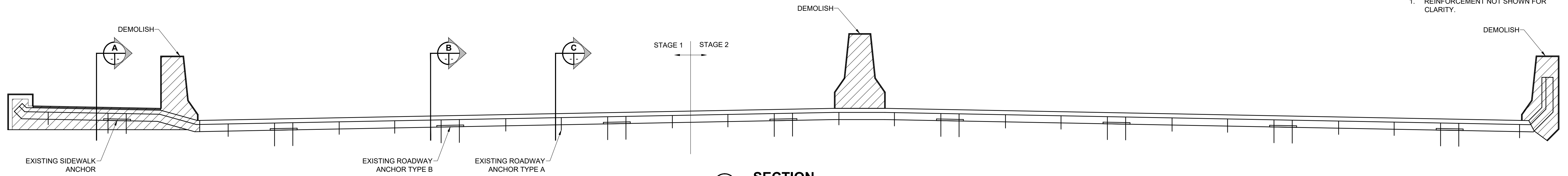
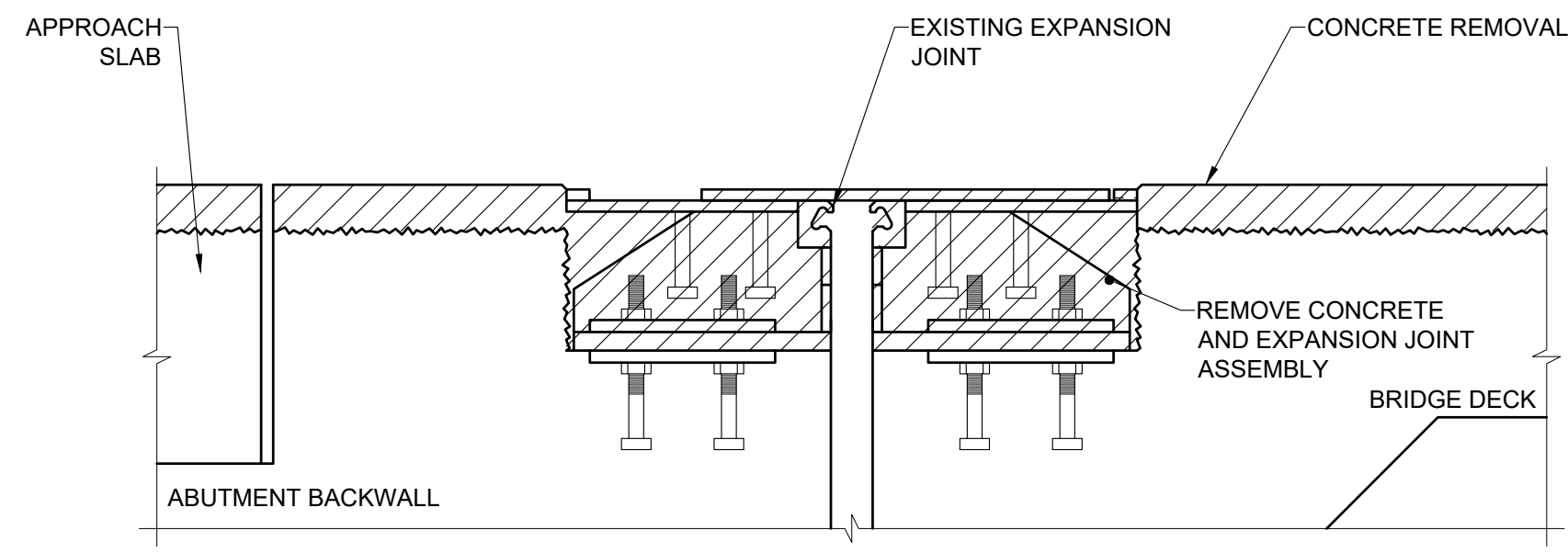


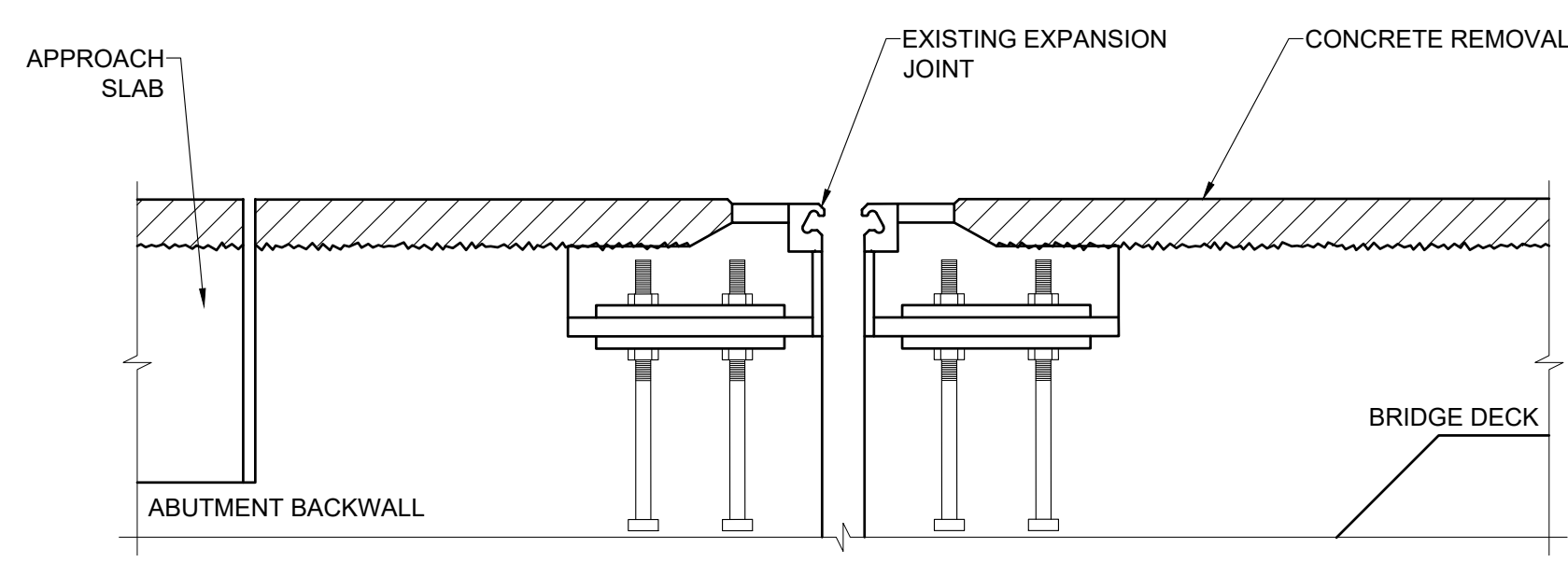
**GENERAL NOTES:**  
1. REINFORCEMENT NOT SHOWN FOR CLARITY.



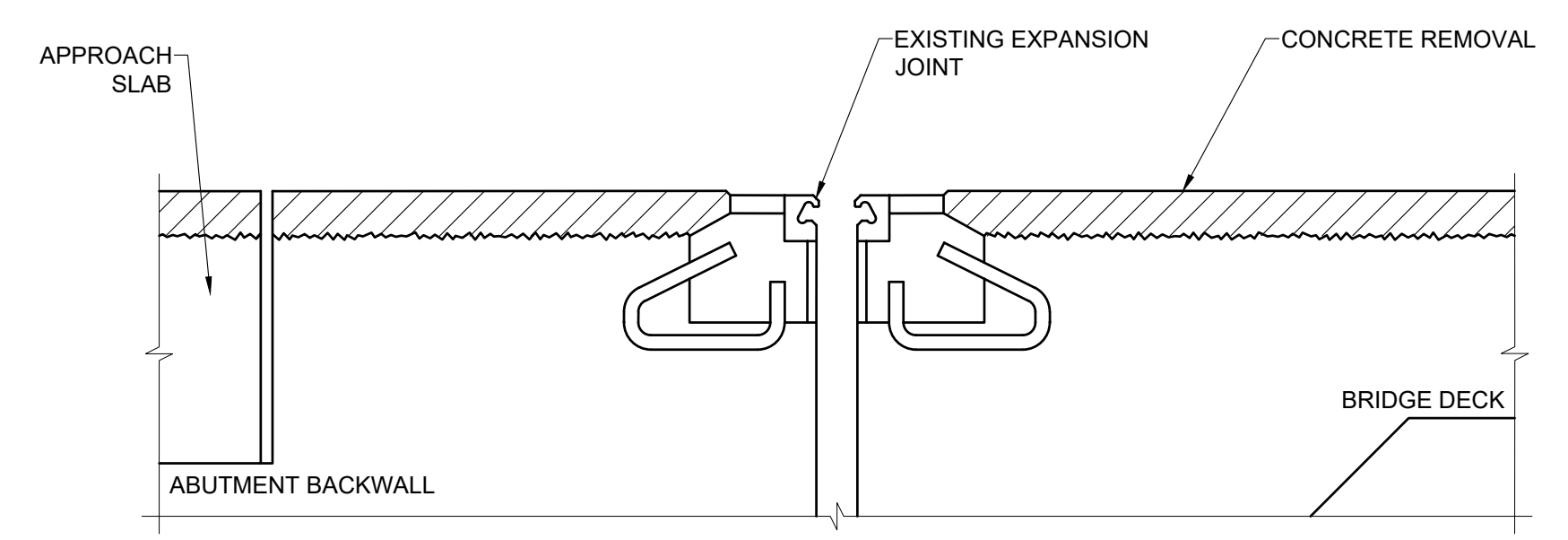
**SECTION C**  
EXISTING EXPANSION JOINT  
SCALE: 1:25



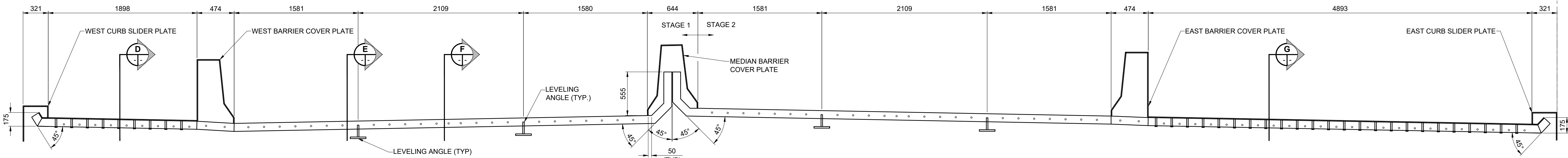
**SECTION A**  
EXISTING SIDEWALK ANCHOR  
SCALE: 1:7.5



**SECTION B**  
EXISTING ROADWAY ANCHOR TYPE-B  
SCALE: 1:7.5

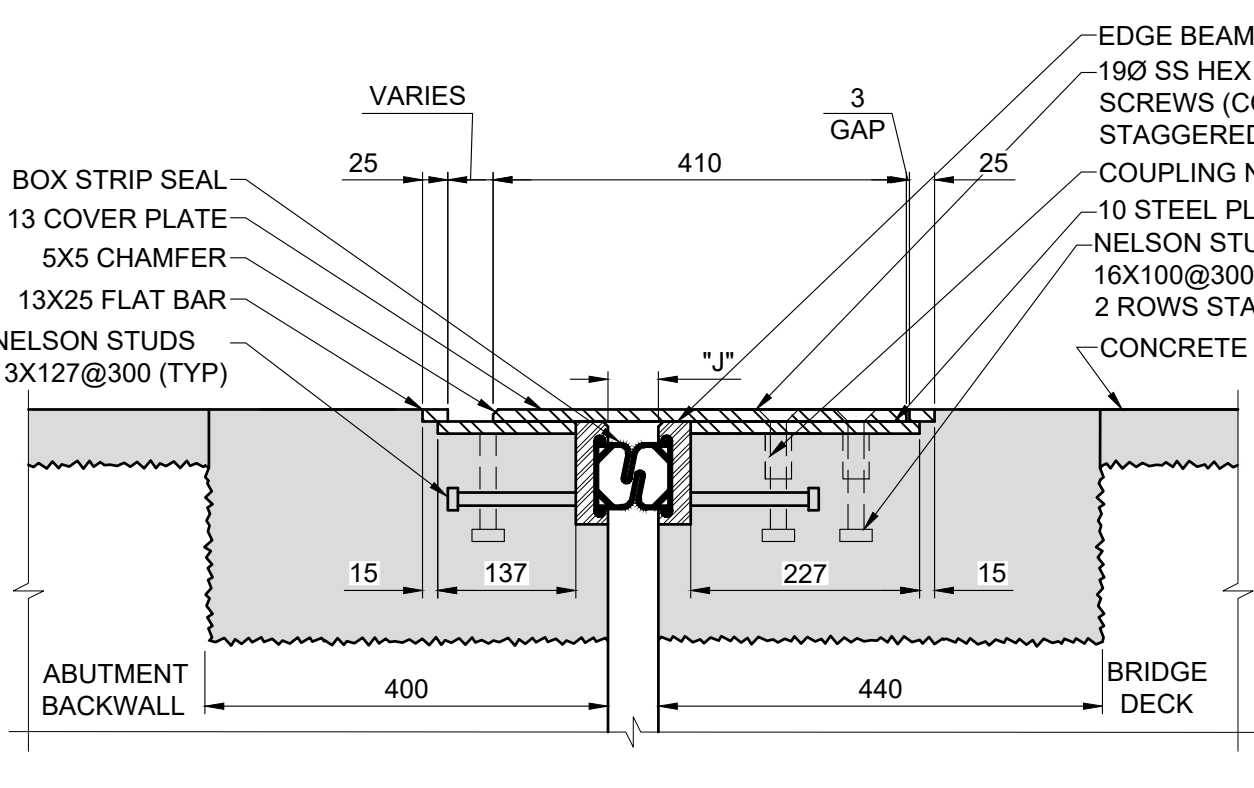


**SECTION C**  
EXISTING ROADWAY ANCHOR TYPE-A  
SCALE: 1:7.5

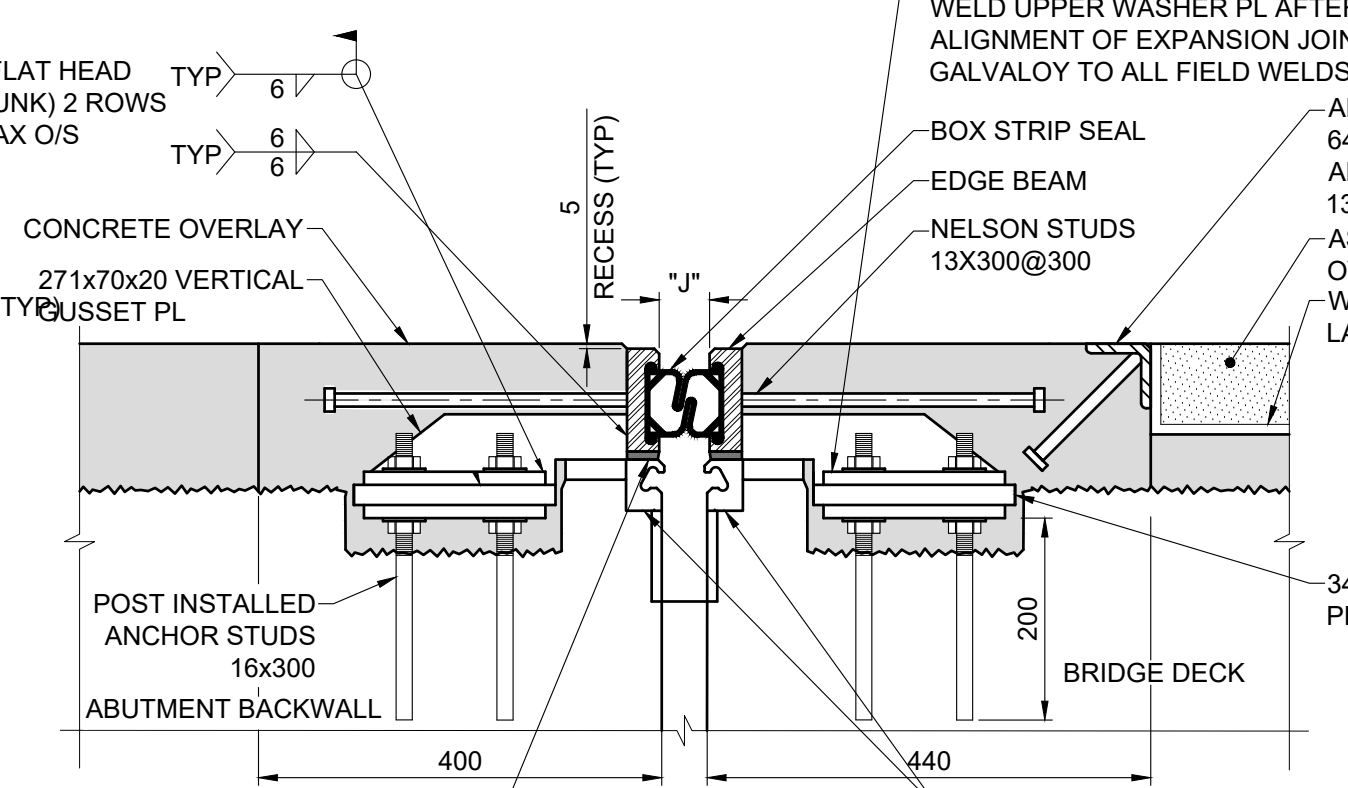


**SECTION B**  
NEW EXPANSION JOINT  
SCALE: 1:25

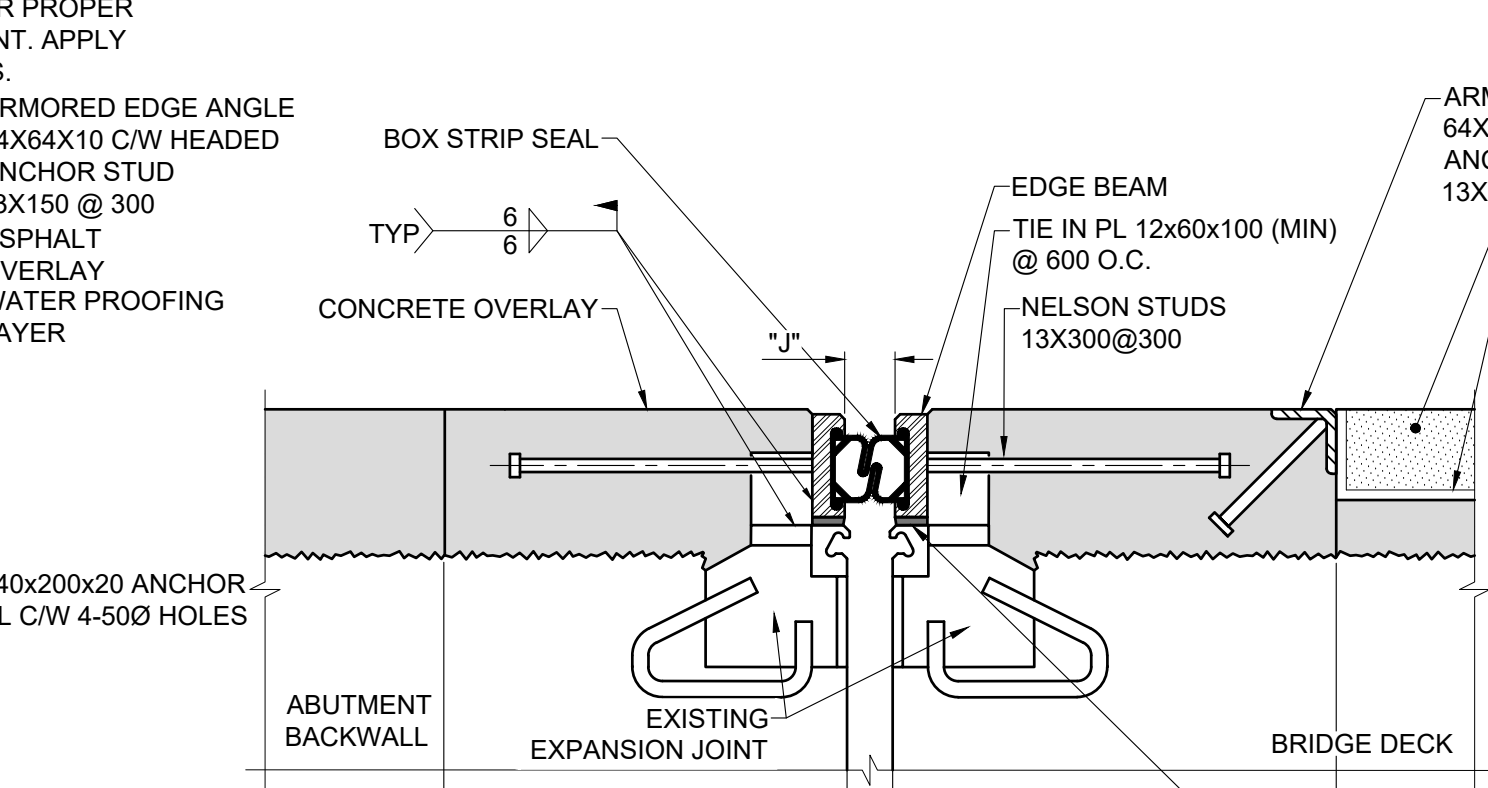
TEMPERATURE WIDTH ADJUSTMENT TABLE							
TEMP. (°C)	25	20	15	10	5	0	-5
GAP "J" (mm)	29	31	33	34	36	38	39



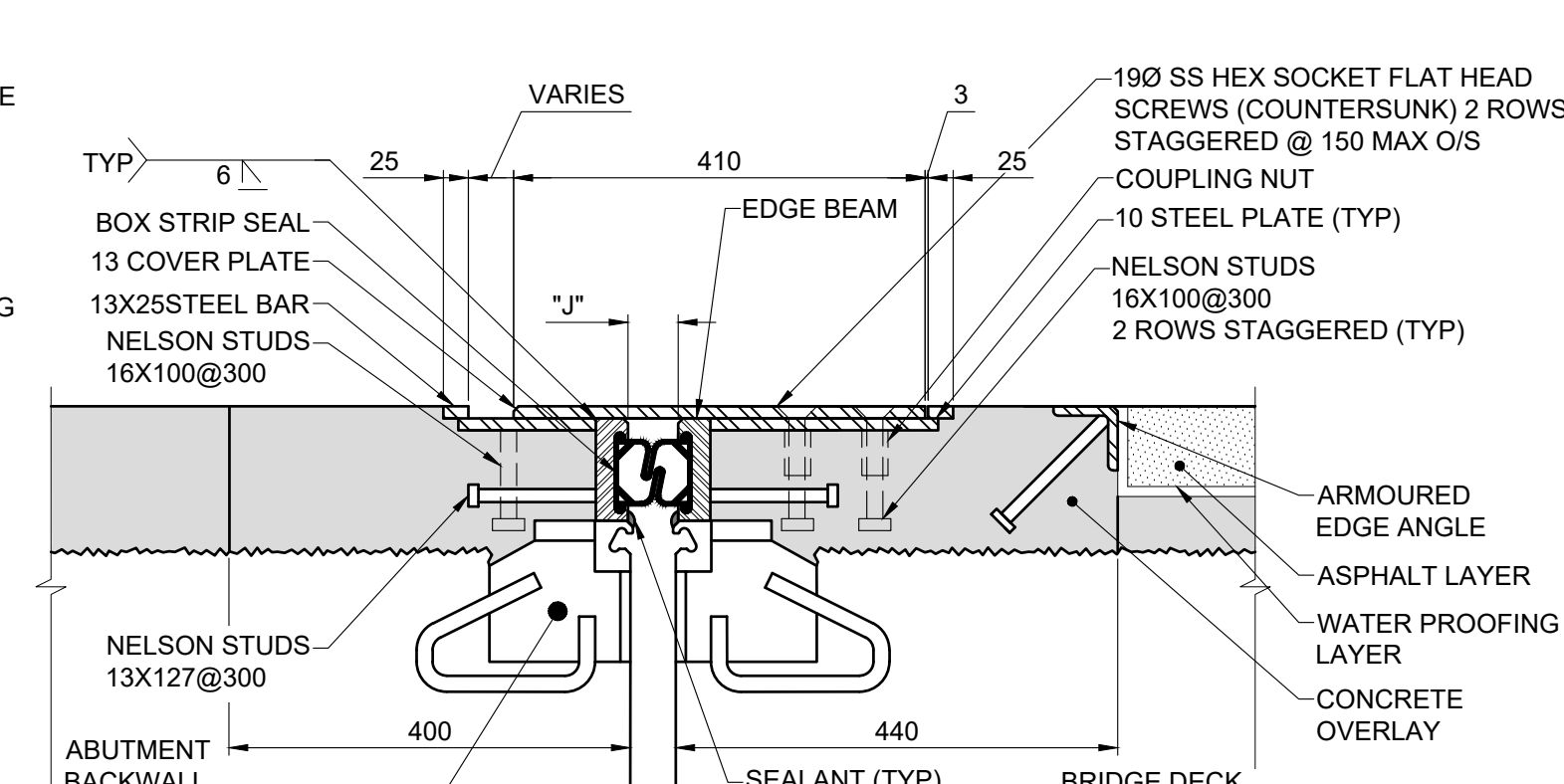
**SECTION D**  
SCALE: 1:7.5



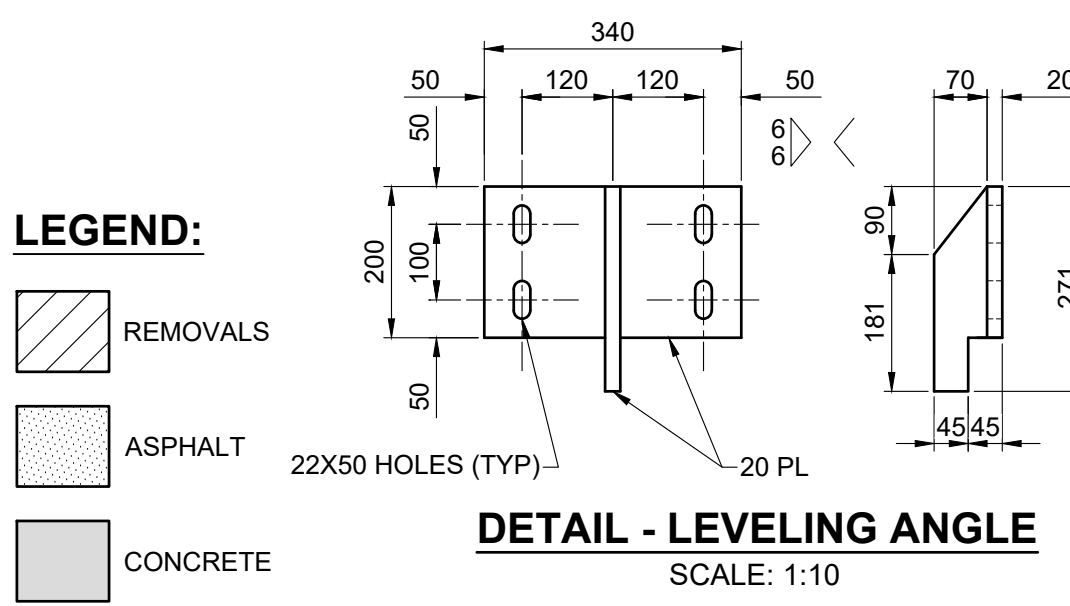
**SECTION E**  
SCALE: 1:7.5



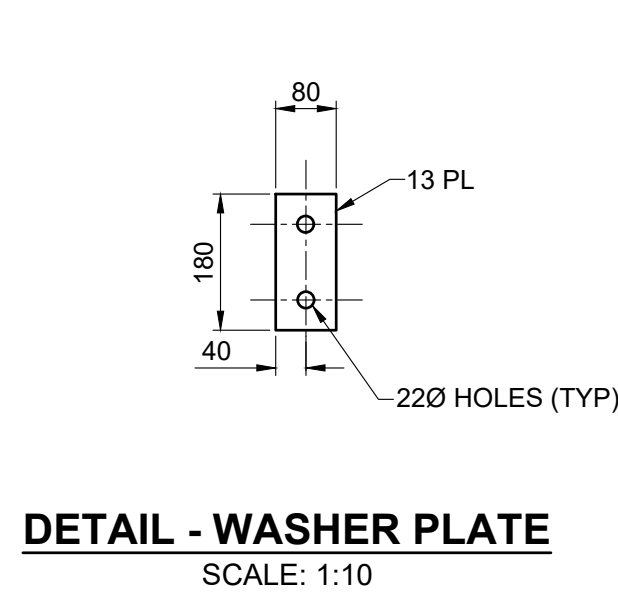
**SECTION F**  
SCALE: 1:7.5



**SECTION G**  
SCALE: 1:7.5



**DETAIL - LEVELING ANGLE**  
SCALE: 1:10



**DETAIL - WASHER PLATE**  
SCALE: 1:10



**METRIC**  
WHOLE NUMBERS INDICATE MILLIMETRES  
DECIMALIZED NUMBERS INDICATE METRES

**LOCATION APPROVED**  
UNDERGROUND STRUCTURES  
COMMITTEE  
DATE: \_\_\_\_\_  
NOTE: LOCATION OF UNDERGROUND STRUCTURES AS SHOWN ARE BASED ON THE BEST INFORMATION AVAILABLE BUT NO GUARANTEE IS GIVEN THAT ALL EXISTING UTILITIES ARE SHOWN OR THAT THE GIVEN LOCATIONS ARE EXACT. CONFIRMATION OF EXISTENCE AND EXACT LOCATION OF ALL SERVICES MUST BE OBTAINED FROM THE INDIVIDUAL UTILITIES BEFORE PROCEEDING WITH CONSTRUCTION.

No.	REVISIONS	DATE	BY
D	ISSUED FOR TENDER	18/09/04	BAP
C	ISSUED FOR 95% DESIGN REVIEW	18/08/07	BAP
B	ISSUED FOR 50% DESIGN REVIEW REV 1	18/06/28	AF
A	ISSUED FOR 50% DESIGN REVIEW	18/04/03	AF

DESIGNED BY	CHECKED BY
AF	YM
DRAWN BY	APPROVED BY
ALP	BE
HOR SCALE	VERT SCALE
AS SHOWN	AS SHOWN
RELEASED FOR CONSTRUCTION	DATE
N/A	

PROFESSIONAL'S SEAL  
PROVINCE OF MANITOBA  
**A. FATHI**  
Member  
41159  
CONSULTANT FILE NAME  
W160034 - DD SS DWG

**THE CITY OF WINNIPEG**  
PUBLIC WORKS DEPARTMENT  
ENGINEERING DIVISION

**EMPRESS STREET PROJECT**  
OVERPASS REHABILITATION WORKS  
SUPERSTRUCTURE  
EXPANSION JOINT DETAILS

CITY DRAWING NUMBER: P-3494-110  
SHEET 110 OF 168  
DRAWING No. 110  
REV D

BID OPPORTUNITY No. 602-2018

O:\Winnipeg\Proj\W160034\Drawings\06 Sheets\Sheet\Structural\W160034 - DD SS.dwg, Last Saved: 9/6/2018 9:59 PM, by: A.Higginer, Plotted: 9/6/2018 10:11 PM, by: Alex Higginer