

B-5072-31

W. L. WARDROP & ASSOCIATES
 (MANAGEMENT) LTD.
ENGINEERING CONSULTANTS
WINNIPEG PORT ARTHUR

DATE: JULY 31/58 LISTED BY: R.W. M^oK CHECKED BY: H.B. M^oL. JOB NO.: 5868 SHEET NO.: 1 OF 4



PLAN NO.

CLIENT: CITY OF WINNIPEG

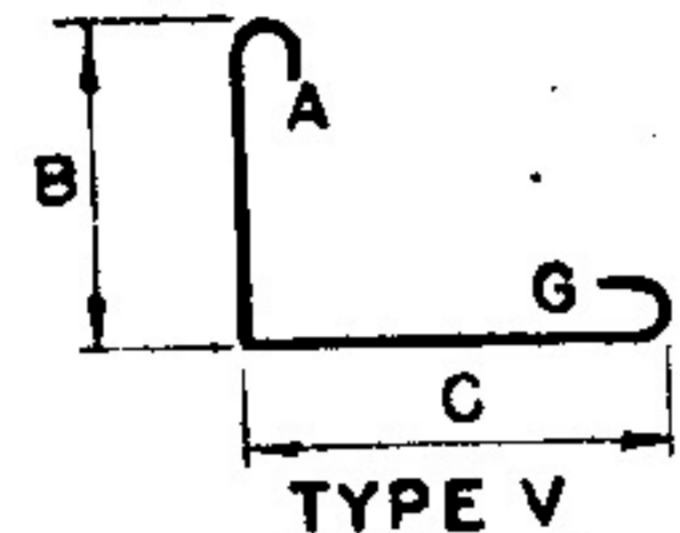
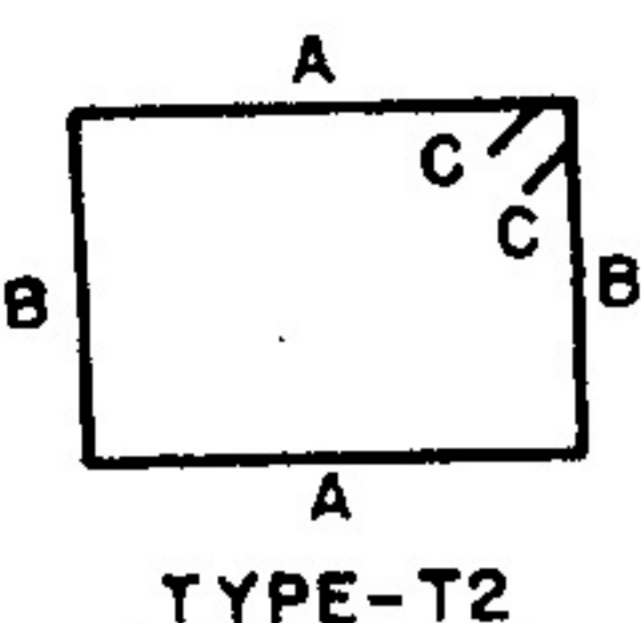
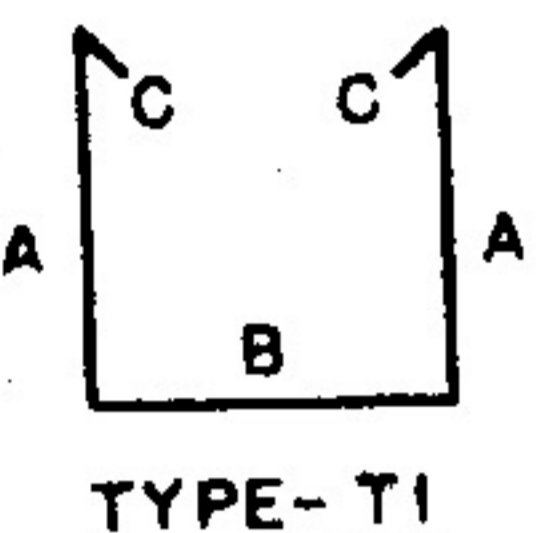
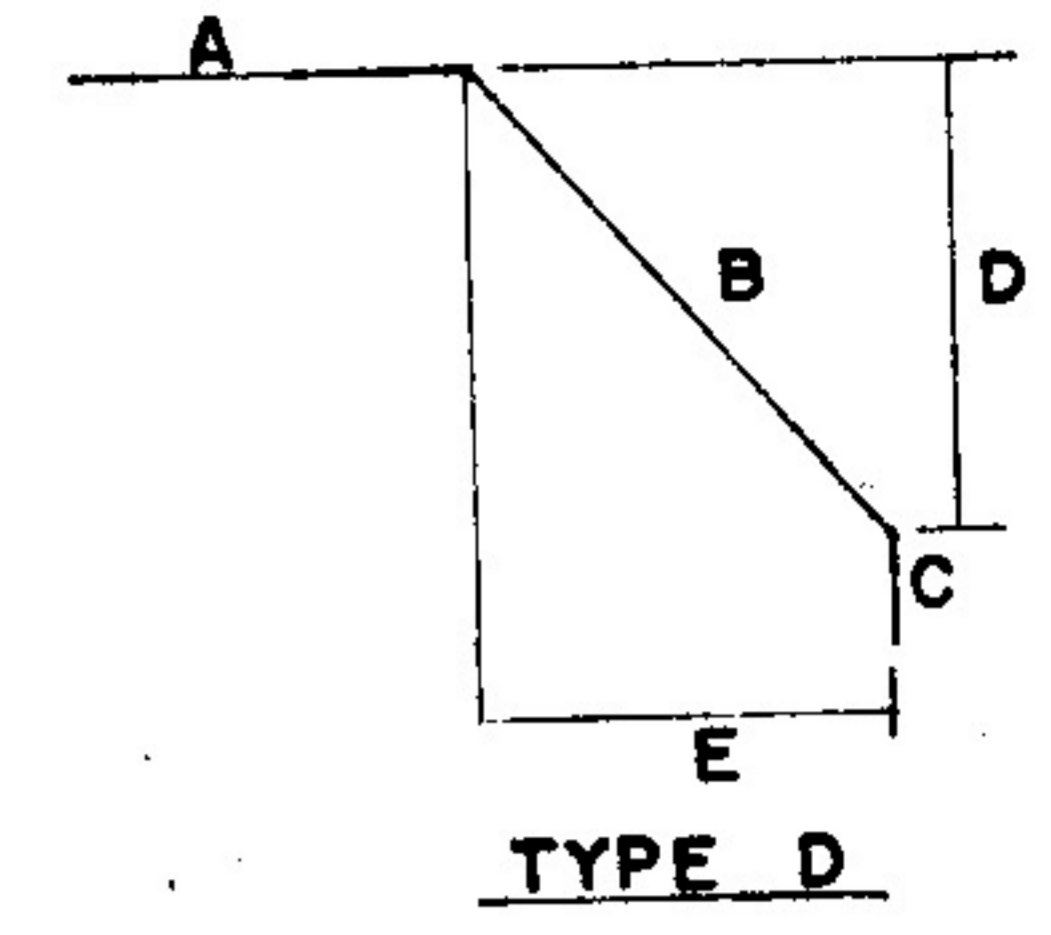
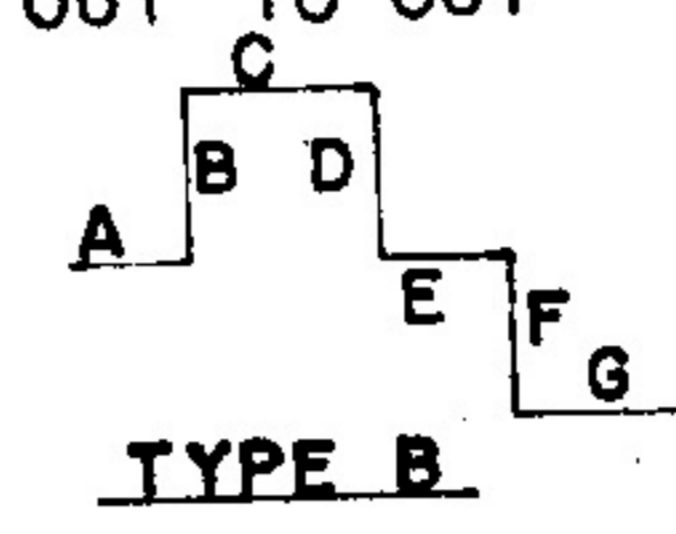
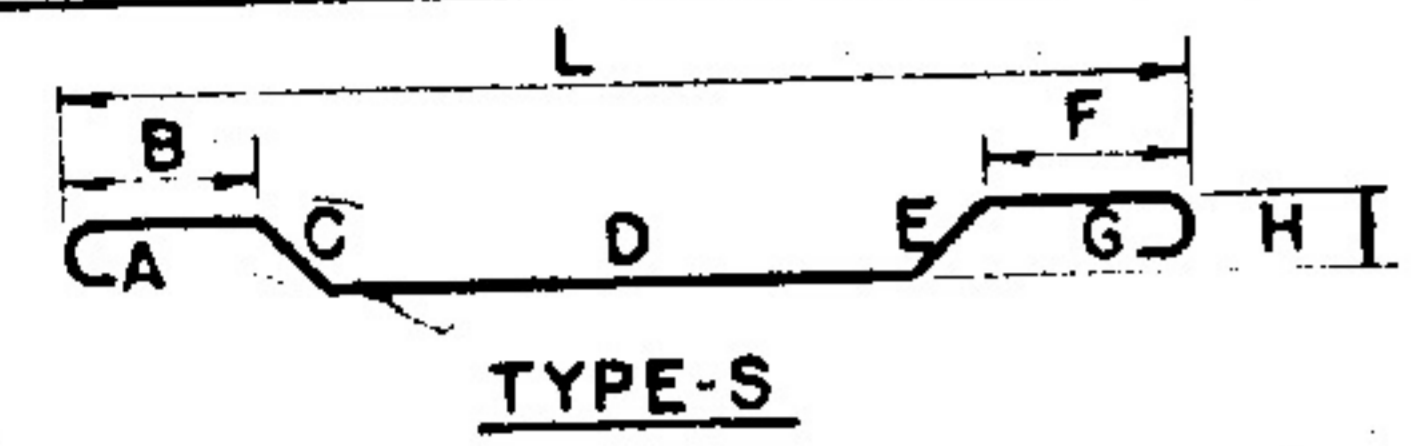
MATERIAL FOR: TWO ABUTMENTS

REFER TO DWGS. NO. 4

REVISED:

JOB: PORTAGE AVENUE OVERPASS
 POLO PARK DEVELOPMENT

BENDING DIAGRAMS
 ALL DIMENSIONS OUT TO OUT



MARK	SIZE	NO. BARS	LENGTH	TYPE	A	B	C	D	E	F	G	H	L	REMARKS OR SHAPE	WEIGHT
A-401	#4	34	26'-4"	ST.											598.0
A-402	#4	34	35'-0"	ST.											794.9
A-403	#4	16	3'-4"	ST.											35.6
A-404	#4	20	2'-10"	ST.											37.8
A-501	#5	12	26'-8"	ST.											333.8
A-502	#5	12	35'-0"	ST.											438.1
A-503	#5	122	8'-2"	V		9"	7'-5"								1039.6
A-504	#5	122	4'-3 1/2"	B	14"	5"	2'-8 1/2"								545.9
A-505	#5	122	8'-5"	D	3'-2"	4'-9"	6"	3'-9"	3'-0"						1072.7
A-601	#6	14	35'-0"	ST.											736.0
A-602	#6	14	26'-10"	ST.											564.2
A-603	#6	146	7'-4"	R	8"						6"		6'-0"		1607.4
SHEET TOTAL															= 7804.0