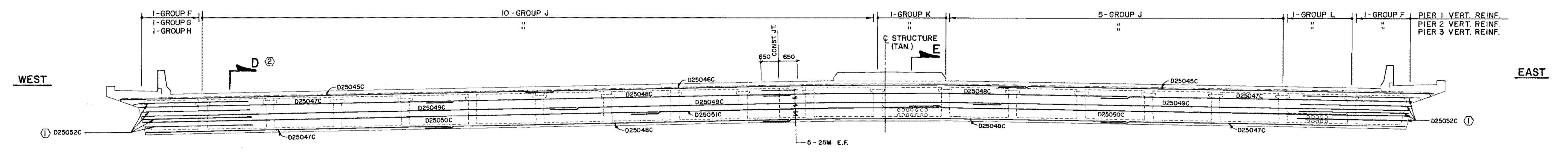
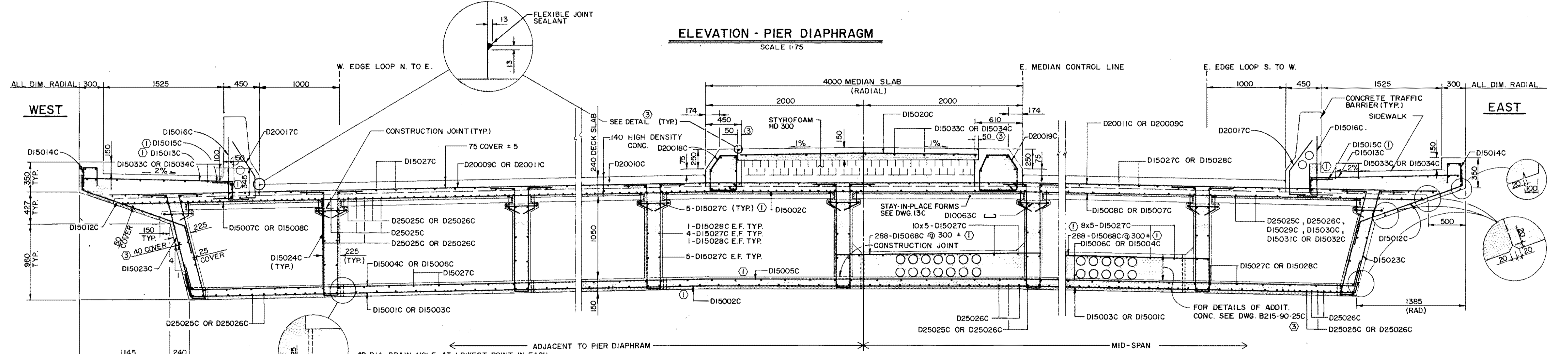


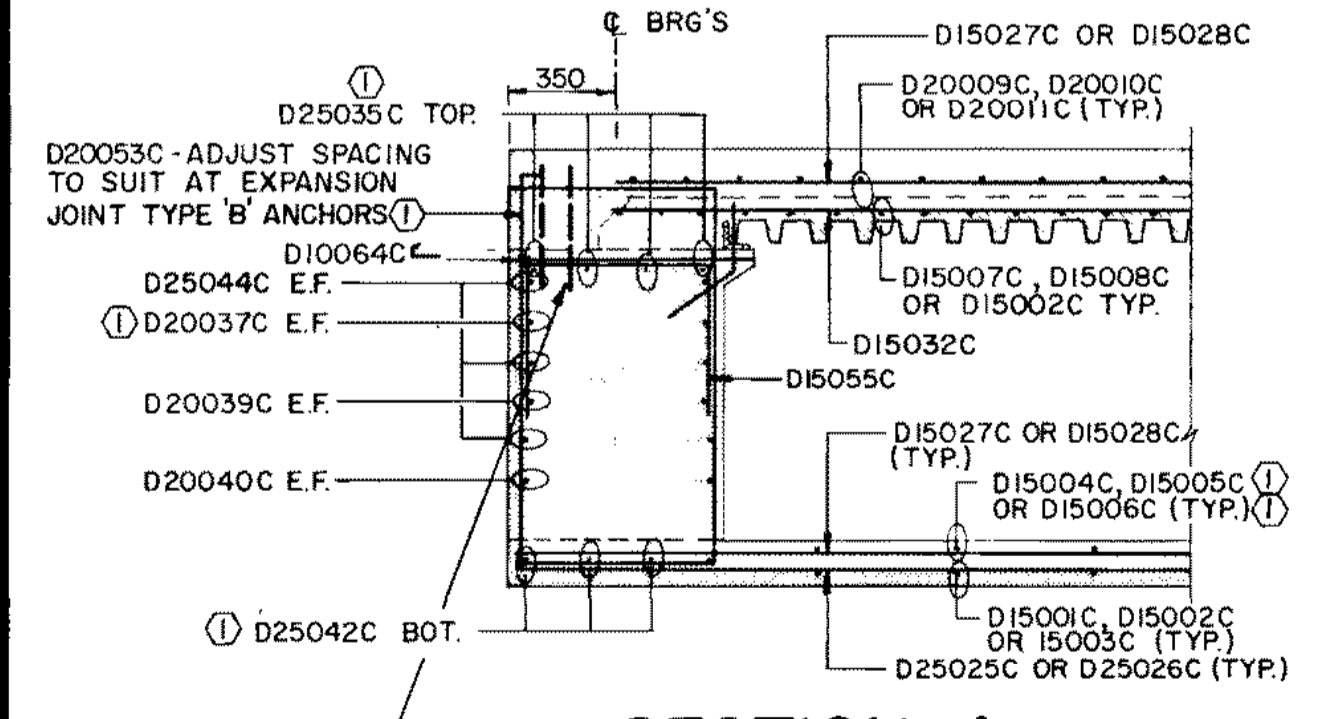
**ELEVATION - ABUTMENT DIAPHRAGM**  
SCALE 1:75



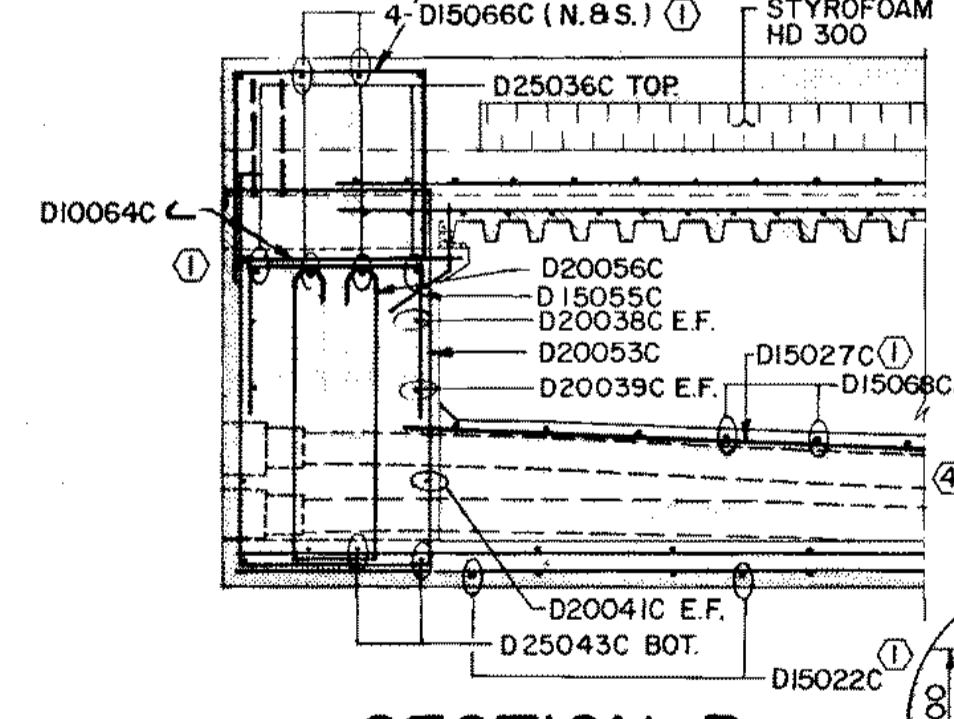
**ELEVATION - PIER DIAPHRAGM**  
SCALE 1:75



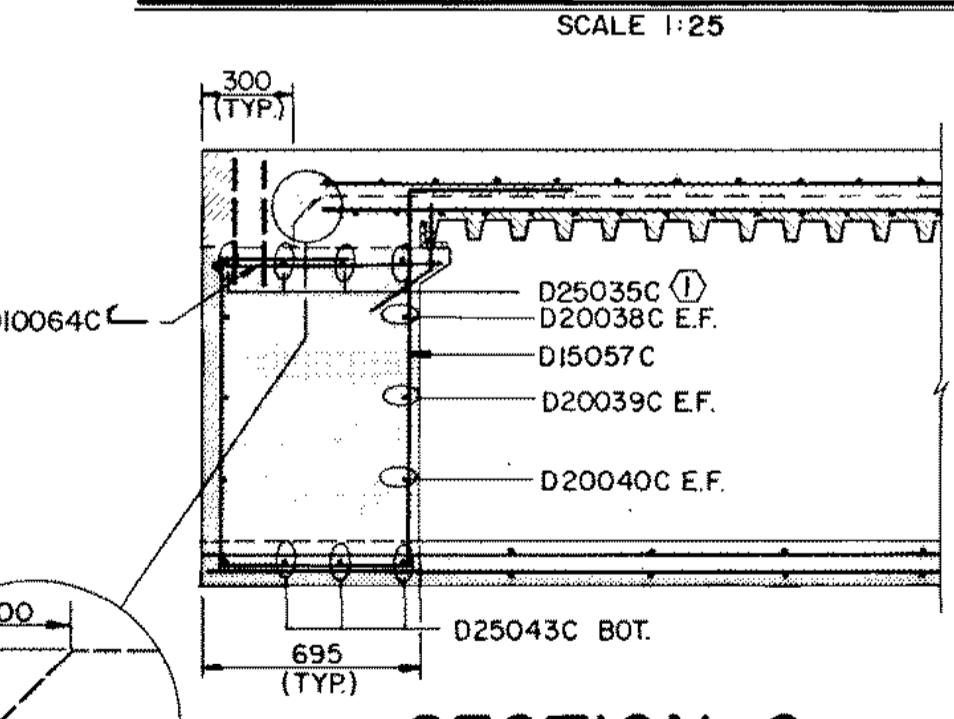
**TYPICAL CROSS-SECTION**  
SCALE 1:25



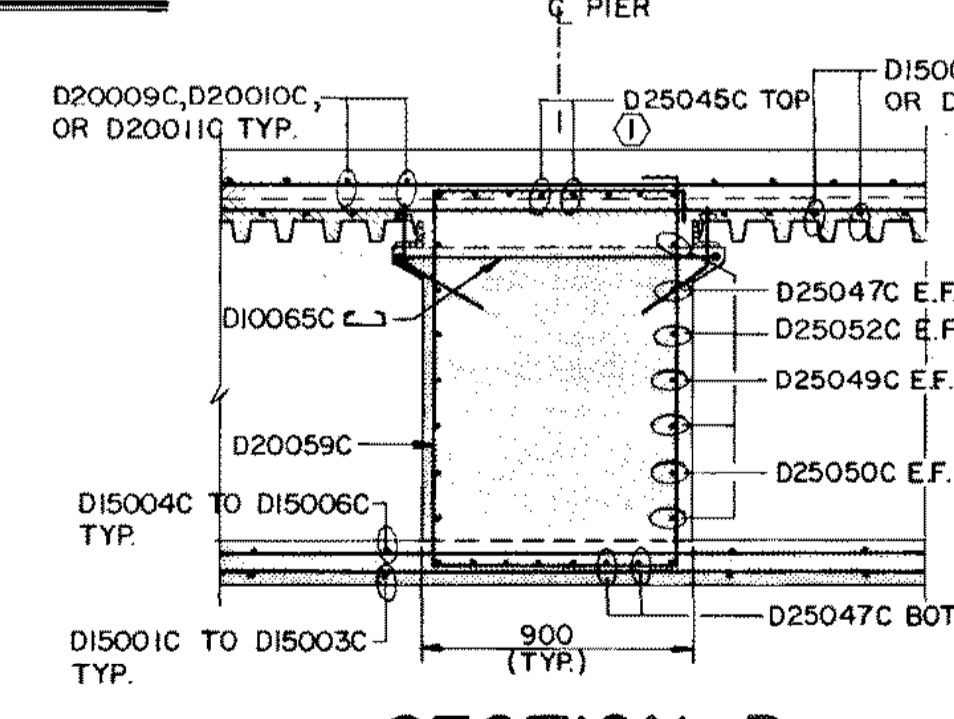
**SECTION A**  
SCALE 1:25



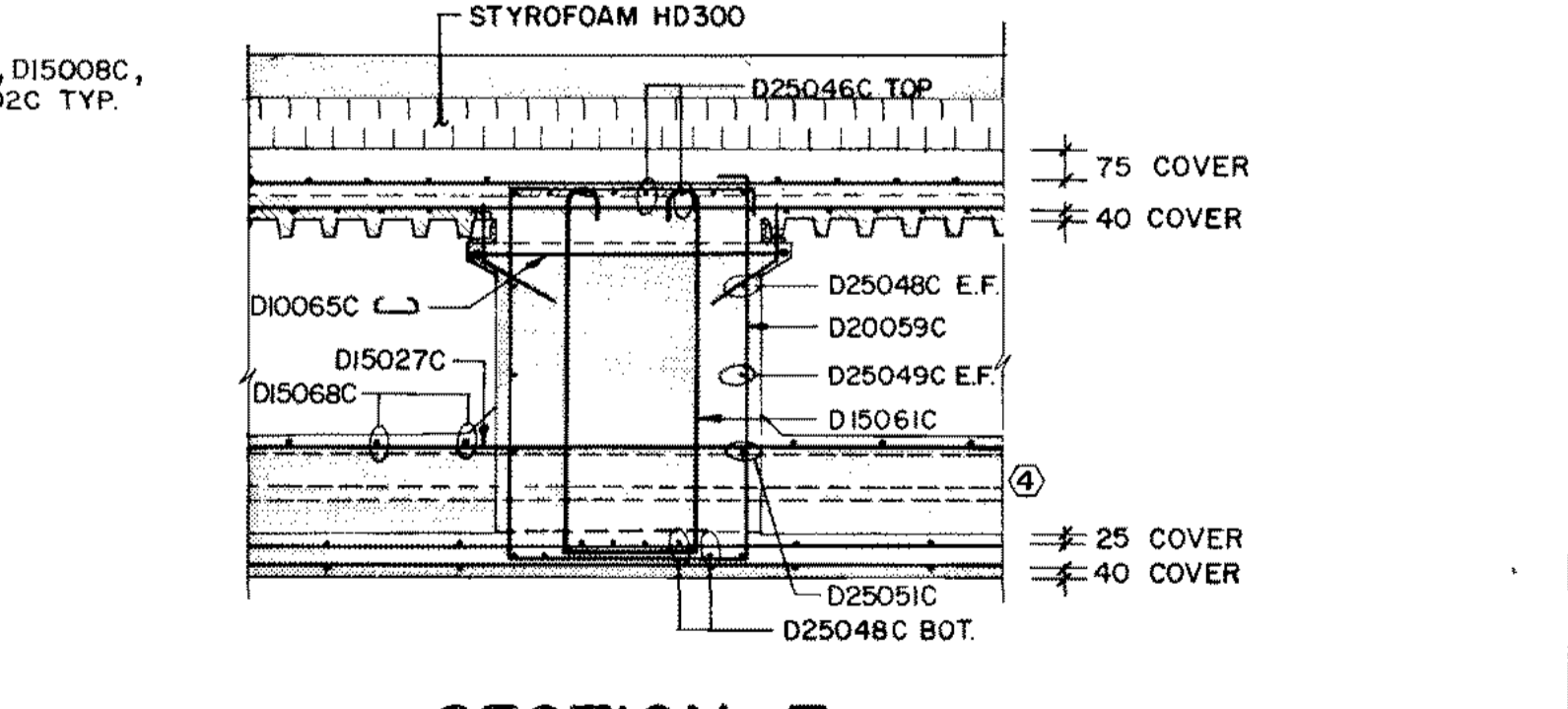
**SECTION B**  
SCALE 1:25



**SECTION C**  
SCALE 1:25



**SECTION D**  
SCALE 1:25



**SECTION E**  
SCALE 1:25

FOR ANCHOR BOLT DETAILS SEE DWG. B215-90-20C

**METRIC**  
WHOLE NUMBERS INDICATE MILLIMETRES  
DECIMALIZED NUMBERS INDICATE METRES

LOCATION APPROVED UNDERGROUND STRUCTURES		B.M. ELEV.
N.A.		
SUPV. U/G STRUCTURES COMMITTEE	DATE	
NOTE: LOCATION OF UNDERGROUND STRUCTURES AS SHOWN ARE BASED ON THE BEST INFORMATION AVAILABLE BUT NO GUARANTEE IS GIVEN THAT ALL EXISTING UTILITIES ARE EXACT. CONFIRMATION OF EXISTENCE AND EXACT LOCATION OF ALL SERVICES MUST BE OBTAINED FROM THE INDIVIDUAL UTILITIES BEFORE PROCEEDING WITH CONSTRUCTION.		
NO.	REVISIONS	DATE BY
5	REVISED TO RECORD DWG.	DEC 89 B.A.
4	ADDED CONDUITS TO SEC. B	11-01-89 RN
3	NOTE REVISED / ADDED	11-01-89 RN
2	SEC. LOCATION REVISED	11-01-89 RN
1	REINF. STEEL REVISED	11-01-89 RN

UMA Engineering Ltd.	
DESIGNED BY	J.J.
CHECKED BY	S.B.B.
DRAWN BY	RN
HOR. SCALE	AS SHOWN
VERTICAL	AS SHOWN
DATE	NOVEMBER, 1988

ENGINEER'S SEAL	
CONSULTANT DRAWING NO.	41-09-0265-240-01

**THE CITY OF WINNIPEG**  
WORKS AND OPERATIONS DIVISION  
STREETS AND TRANSPORTATION DEPARTMENT

**BISHOP GRANDIN BLVD. EXTENSION**  
WAVERLEY STREET TO RED RIVER  
PEMBINA HIGHWAY OVERPASS

CAST-IN-PLACE CONCRETE BOX ALTERNATIVE  
DECK DIMENSIONS & REINFORCING II

CITY DRAWING NUMBER  
B215-90-12C

B-5827-12

**RECORD DRAWING**

NOTE: THIS DWG. TO BE READ IN CONJUNCTION WITH DWG. No. B215-90-11C & 13C