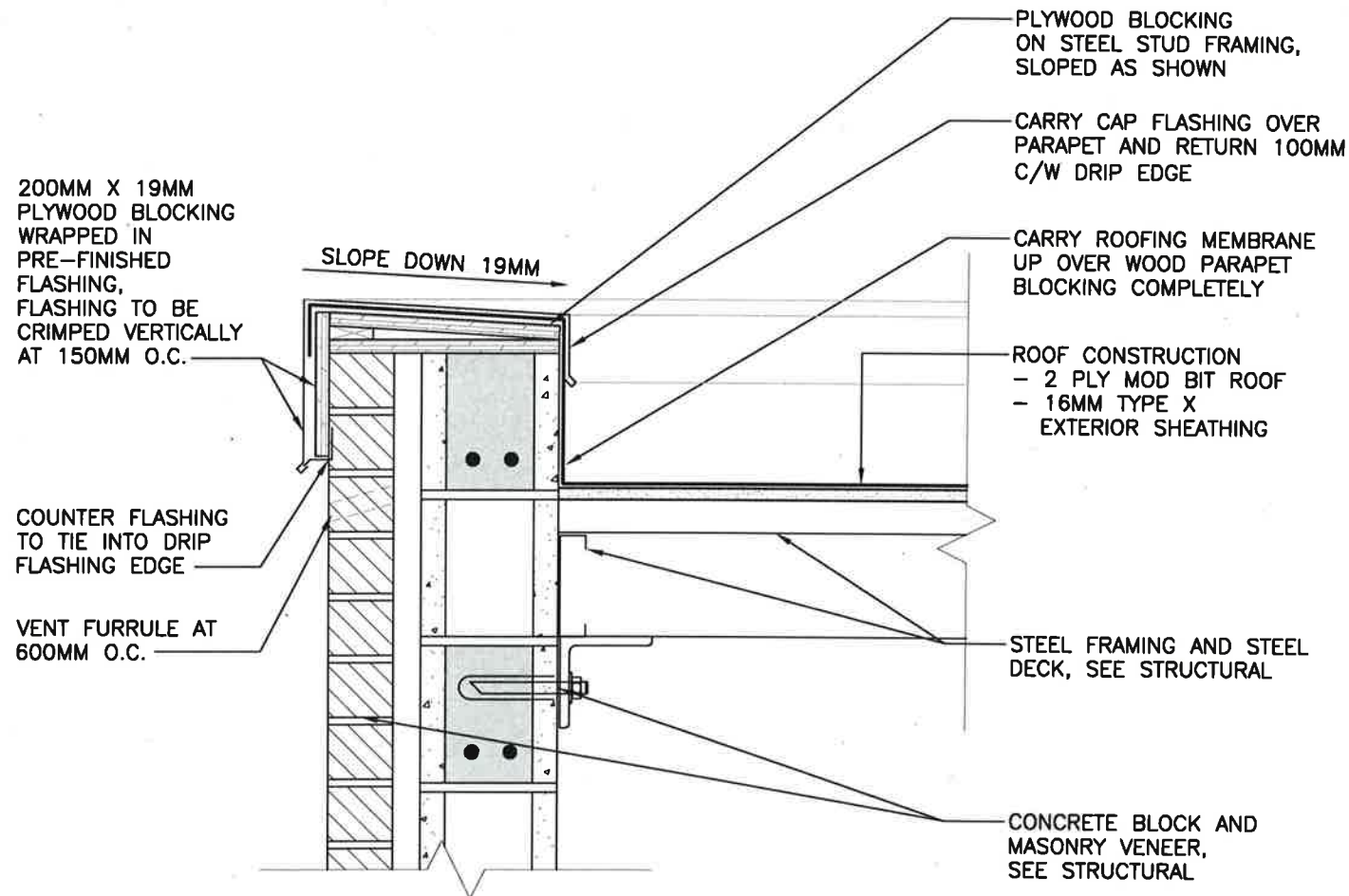
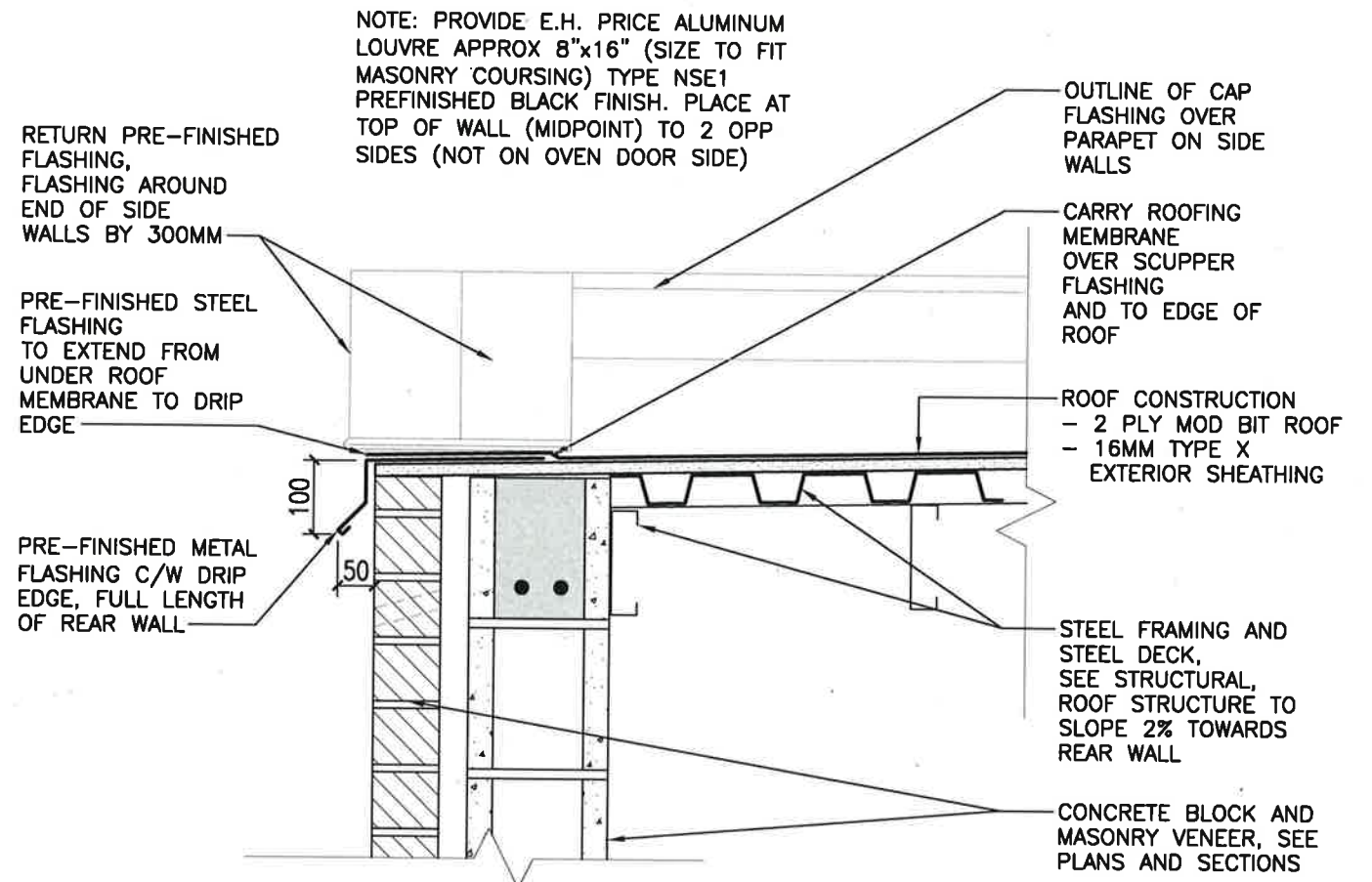


U:\1154\active\115418015\0300\_drawing\0302\_sheet\_files\03\_structural\18015\_S-101.dwg S-101  
 2018/05/07 4:11 PM By: Rosangeli, Ian



**A** TYP. PARAPET ENVELOPE SECTION  
 S-502 1:10 NOTE: ALL PRE-FINISHED FLASHING FOR ALL DETAILS TO BE STEEL



**B** TYP. DRIP EDGE SECTION  
 S-502 1:10 NOTE: REAR SIDE WALL CMU HEIGHT IS REDUCED BY ONE BLOCK AT TOP FOR SCUPPER.

ORIGINAL SHEET - ISO 11x17 - v17.05

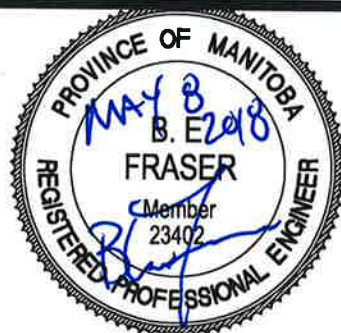
2018-05-07  
115418015



Stantec Consulting Ltd.  
 Suite 500, 311 Portage Avenue  
 Winnipeg MB Canada R3B 2B9  
 Tel. 204.489.5900 Fax. 204.453.9012  
 www.stantec.com



Certificate of Authorization  
 Stantec Consulting Ltd.  
 No. 1301



E			
D			
C			
B			
A	ISSUED FOR CONSTRUCTION	IR	BF 2018.05.07
Issued		By	Appd. YY.MM.DD

Client/Project  
 CITY OF WINNIPEG PLANNING, PROPERTY & DEVELOPMENT  
 GORD DONG PARK REDEVELOPMENT  
 Winnipeg, Manitoba

Figure No.  
 S-502

Title  
 BUILDING DETAILS  
 FOR COMMUNITY OVEN ENCLOSURE