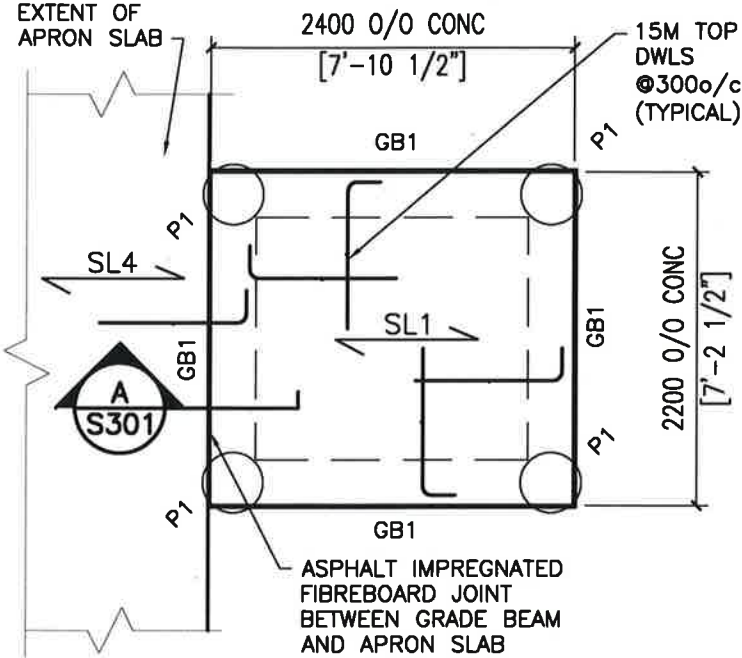
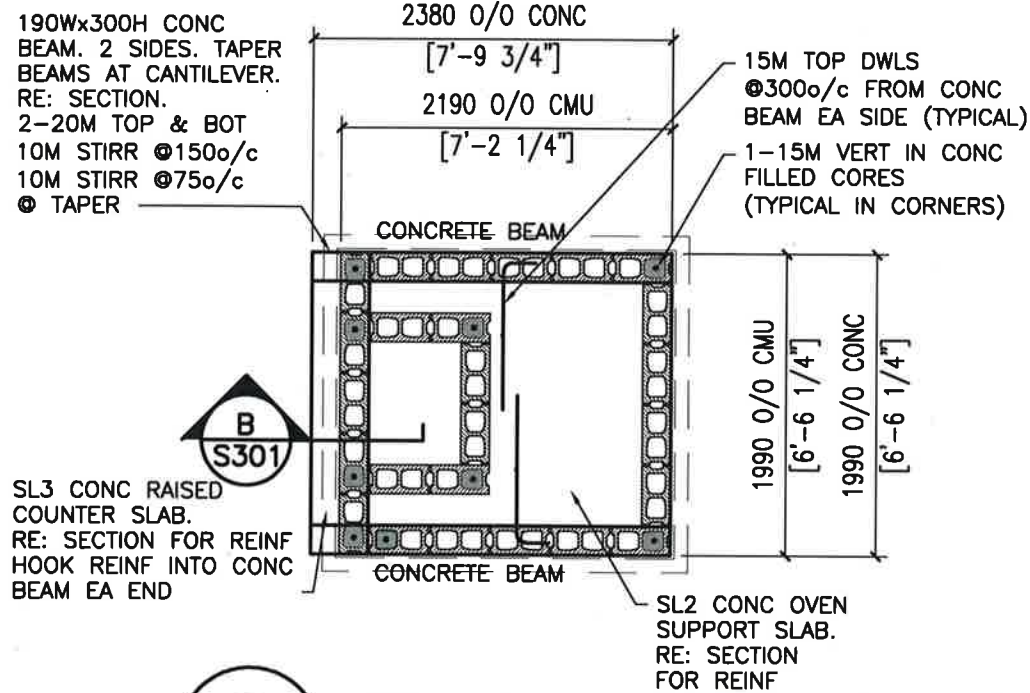


NOTE:
REFER TO
LANDSCAPE
DWGS FOR
EXTENT OF
APRON SLAB



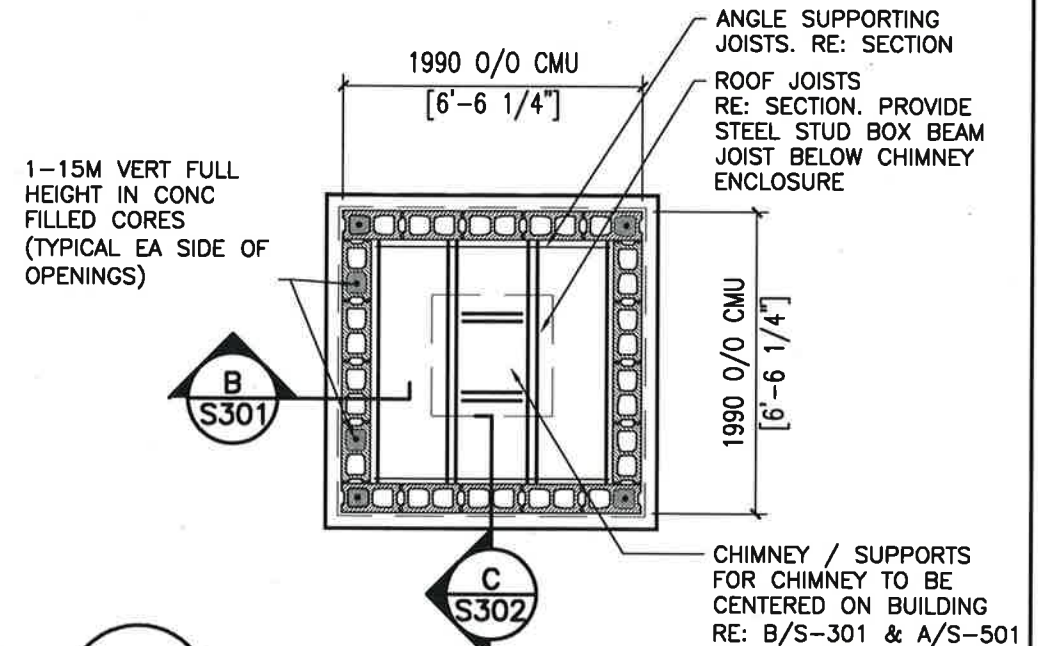
1 FOUNDATION FRAMING PLAN
S-121 1:50

MAIN FLOOR DESIGN LOADS (SERVICE):
LL = 2.4kPa (OVEN AREA)
LL = 4.8kPa (SLAB ON GROUND APRON SLAB)
DL = S.W.



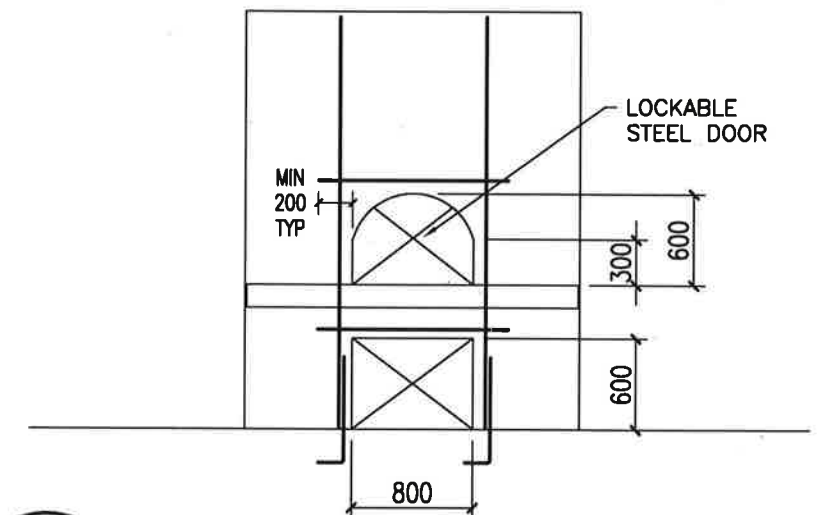
2 COUNTER SLAB FRAMING PLAN
S-121 1:50

NOTE: CMU SHOWN IS BELOW COUNTER
COUNTER DESIGN LOADS (SERVICE):
DL = S.W.



3 ROOF FRAMING PLAN
S-121 1:50

ROOF DESIGN LOADS (SERVICE):
SL = 1.7kPa
DL = 1.0kPa



4 FRONT ELEVATION
S-121 1:50

U:\1154\active\115418015\0300_drawing\0302_sheet_files\03_structural\18015_S-101.dwg S-101 2018/05/07 4:10 PM By: Rosanigel, Ian

ORIGINAL SHEET - ISO 11x17 - v17.05

2018-05-07
115418015



Stantec Consulting Ltd.
Suite 500, 311 Portage Avenue
Winnipeg MB Canada R3B 2B9
Tel. 204.489.5900 Fax. 204.453.9012
www.stantec.com



Certificate of Authorization
Stantec Consulting Ltd.
No. 1301



E			
D			
C			
B			
A	ISSUED FOR CONSTRUCTION	IR	BF 2018.05.07
Issued		By	Appd. YY.MM.DD

Client/Project
CITY OF WINNIPEG PLANNING, PROPERTY & DEVELOPMENT
GORD DONG PARK REDEVELOPMENT
Winnipeg, Manitoba

Figure No.
S-121

Title
MAIN FLOOR, COUNTER, & ROOF PLANS
FOR COMMUNITY OVEN ENCLOSURE