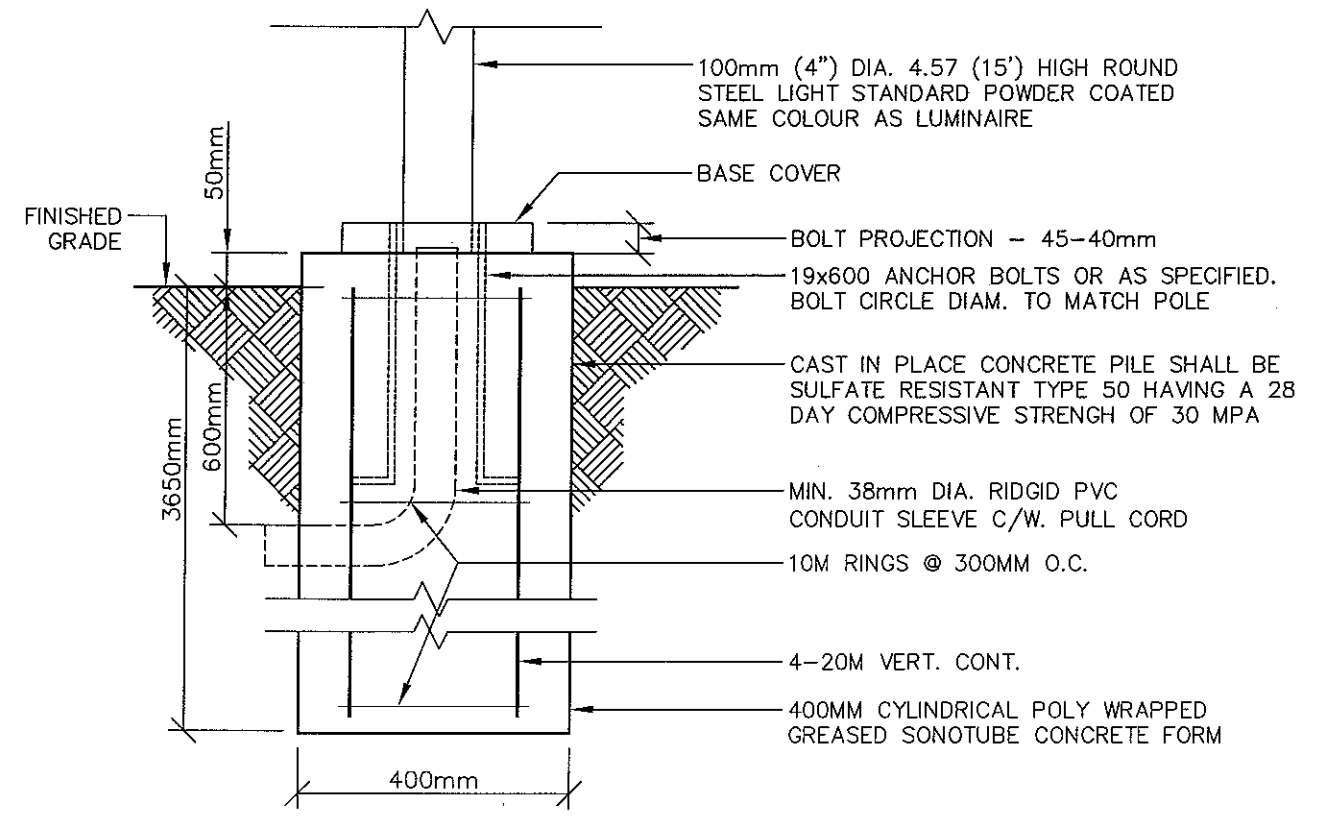
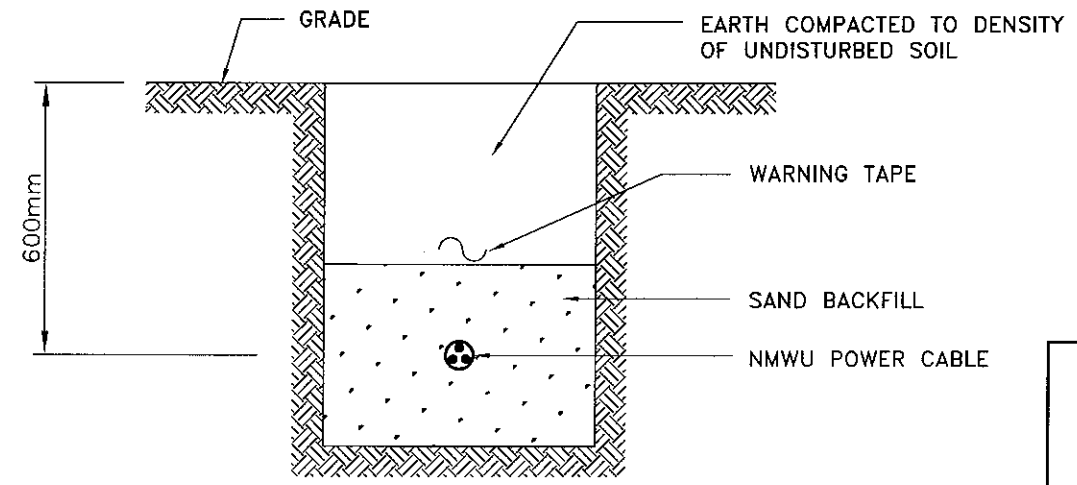


POLE MOUNTED DISTRIBUTION DETAIL
N.T.S



LIGHT STANDARD BASE DETAIL
N.T.S



POWER TRENCH DETAIL
N.T.S



APEGM
Certificate of Authorization
Nova 3 Engineering Ltd.
No. 962 Date: 2018.05.16

GORD DONG DEVELOPMENT - ELECTRICAL SERVICE UPGRADE
348 PACIFIC AVENUE - WINNIPEG, MB

ELECTRICAL - Details

NOVA 3 NOVA 3 ENGINEERING LTD. PROFESSIONAL ENGINEERS
201-120 FORT STREET WINNIPEG, MANITOBA. R3C 1C7 WWW.NOVA3.CA
TEL.: (204) 943-6142 FAX.: (204) 942-1276 JN.: 38-050

THIS DRAWING IS THE EXCLUSIVE PROPERTY OF NOVA 3 ENGINEERING LTD. AND MAY ONLY BE REPRODUCED WITH THE WRITTEN PERMISSION OF NOVA 3 ENGINEERING LTD.
THE CONCEPT AND DESIGN INCORPORATED INTO THIS DRAWING ARE BASED ON INFORMATION PROVIDED BY THE CLIENT AND OTHER RELATED SOURCES. PROFESSIONAL ENGINEER ACCEPTS NO RESPONSIBILITY FOR DRAWING AND DESIGN UNLESS DRAWING IS ACCOMPANIED BY ORIGINAL SEALED LETTER OF INTENT OR EQUIVALENT ACCEPTABLE FACSIMILE. PROFESSIONAL ENGINEER ACCEPTS NO RESPONSIBILITY FOR FINAL INSTALLATION CONFORMANCE WITHOUT ORIGINAL SEALED CERTIFICATE OF INSPECTION OR EQUIVALENT ACCEPTABLE FACSIMILE.

SCALE AS SHOWN	JOB NUMBER 38-050	SHEET E11
DATE 2018.05.03	DESIGNED BY DZ	DRAWN BY AM