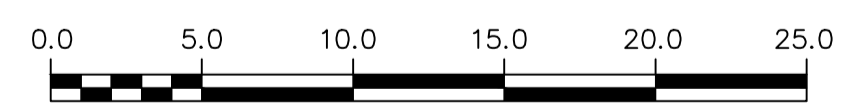
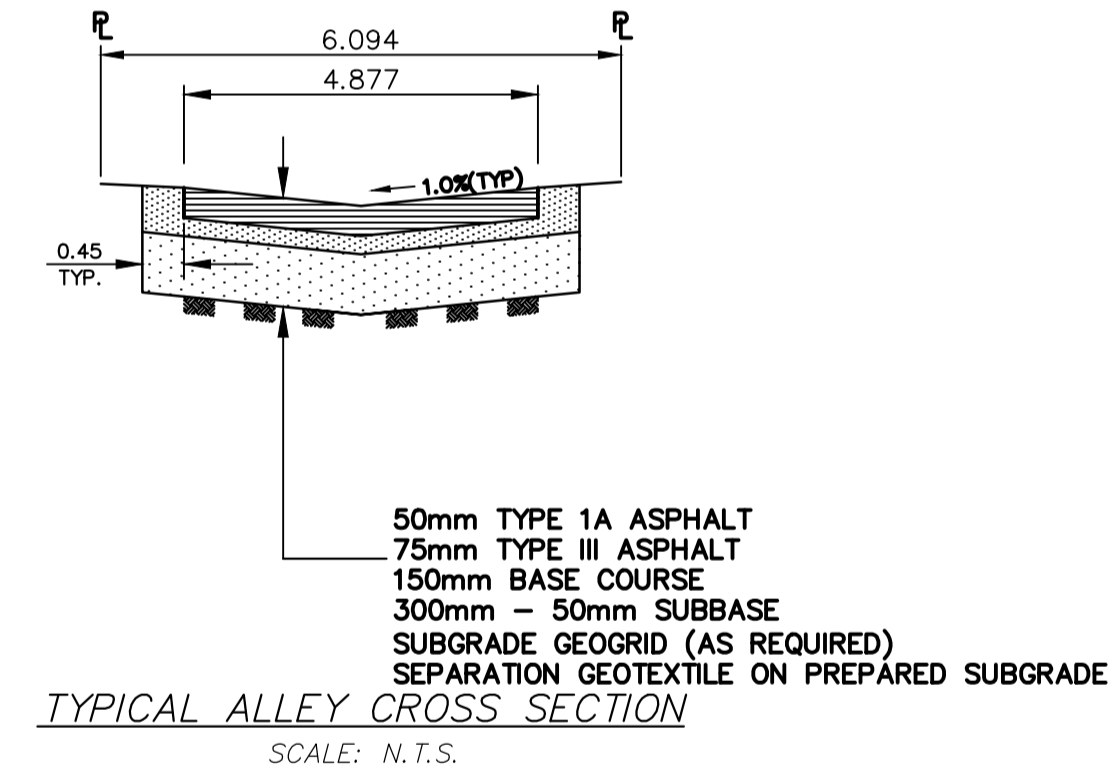
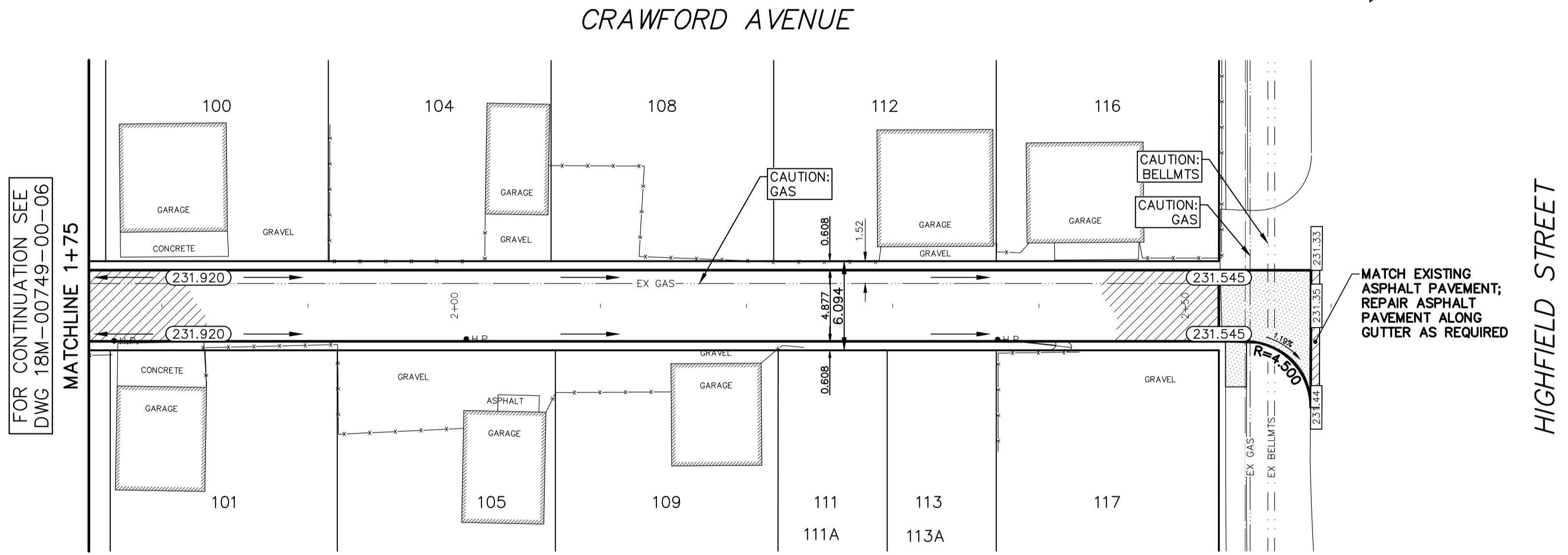
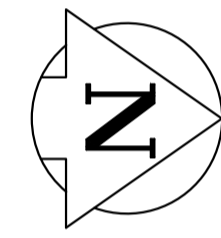


- NOTES:**
- ALL WORK AND MATERIALS TO BE IN ACCORDANCE WITH THE LATEST REVISION OF THE CITY OF WINNIPEG STANDARD CONSTRUCTION SPECIFICATION.
  - CONTRACTOR TO CONFIRM THE LOCATION OF ALL UTILITIES/SERVICES IN THE FIELD PRIOR TO CONSTRUCTION.
  - CONTRACTOR TO AVOID DAMAGE TO EXISTING TREES WITHIN THE LIMITS OF THE ALLEY RIGHT OF WAY AS OUTLINED IN THE BID OPPORTUNITY.
  - TREE AND SHRUB REMOVALS AS DIRECTED BY THE CONTRACT ADMINISTRATOR.
  - HYDRO POLES AND ANCHORS REQUIRING TEMPORARY SUPPORT TO BE DONE AT THE EXPENSE OF THE CONTRACTOR AS REQUIRED.
  - WHERE UNSTABLE SUB-GRADES ARE ENCOUNTERED, ADDITIONAL EXCAVATION/SUB-BASE AND INSTALLATION OF GEOTRID TO BE DETERMINED BY THE CONTRACT ADMINISTRATOR AND CONSTRUCTED IN ACCORDANCE W/ CW-3110.
  - ISOLATE EXISTING HYDRO POLES AS PER SD-228C.
  - RENEW CURB AND SIDEWALK AS DIRECTED BY THE CONTRACT ADMINISTRATOR.
  - ALL EXISTING PRIVATE APPROACHES TO BE RENewed AS DIRECTED BY THE CONTRACT ADMINISTRATOR.
  - ADJUSTMENTS TO PROPOSED CROSSFALL, WHERE REQUIRED, ARE TO BE DETERMINED BY THE CONTRACT ADMINISTRATOR TO SUIT EXISTING DRIVEWAYS, APPROACHES, ETC.
  - ALL BOULEVARD RESTORATION TO BE SODDED UNLESS OTHERWISE NOTED.
  - REMOVE, ADJUST, AND SUPPLY PRECAST SIDEWALK BLOCKS AS DIRECTED BY THE CONTRACT ADMINISTRATOR.
  - ALL LAND DRAINAGE SEWER EXCAVATIONS TO BE JETTED, FLOODED, AND TAMPED AS PER CW2030-R7.

NOTE: CHAINAGES SHOWN ARE ALONG CL OF RIGHT-OF-WAY

**ALLEY PAVEMENT PROFILE**  
SCALE: 1:250 HOR  
1:10 VEB



**METRIC**  
WHOLE NUMBERS INDICATE MILLIMETRES  
DECIMALIZED NUMBERS INDICATE METRES  
UNLESS OTHERWISE NOTED



EXISTING	LEGEND -- PLAN	PROPOSED	EXISTING	LEGEND -- PLAN	PROPOSED	EXISTING	LEGEND -- PROFILE	PROPOSED	EXISTING	LEGEND -- PROFILE	PROPOSED
[Symbol]	WATERMAIN	[Symbol]	[Symbol]	M.T.S.	[Symbol]	[Symbol]	150 WM	[Symbol]	[Symbol]	WATERMAIN	[Symbol]
[Symbol]	HYDRANT	[Symbol]	[Symbol]	CONCRETE/ASPHALT	[Symbol]	[Symbol]	150 WM	[Symbol]	[Symbol]	VALVE	[Symbol]
[Symbol]	VALVE	[Symbol]	[Symbol]	SIDEWALK	[Symbol]	[Symbol]	300 LPS	[Symbol]	[Symbol]	LAND DRAINAGE SEWER	[Symbol]
[Symbol]	CURB STOP	[Symbol]	[Symbol]	CURB RAMP	[Symbol]	[Symbol]	250 WWS	[Symbol]	[Symbol]	WASTE WATER SEWER	[Symbol]
[Symbol]	LAND DRAINAGE SEWER	[Symbol]	[Symbol]	ELEVATIONS	[Symbol]	[Symbol]	(232.000)	[Symbol]	[Symbol]	CENTERLINE	[Symbol]
[Symbol]	WASTE WATER SEWER	[Symbol]	[Symbol]	PROPERTY LINE	[Symbol]	[Symbol]	---	[Symbol]	[Symbol]	SOUTH & EAST GUTTER	[Symbol]
[Symbol]	CB LEAD	[Symbol]	[Symbol]	SURVEY BAR	[Symbol]	[Symbol]	---	[Symbol]	[Symbol]	NORTH & WEST GUTTER	[Symbol]
[Symbol]	MANHOLE	[Symbol]	[Symbol]	HYDRO POLE	[Symbol]	[Symbol]	---	[Symbol]	[Symbol]	S & E GARAGE PAD	[Symbol]
[Symbol]	CATCH BASIN	[Symbol]	[Symbol]	STREET LIGHT	[Symbol]	[Symbol]	---	[Symbol]	[Symbol]	N & W GARAGE PAD	[Symbol]
[Symbol]	GAS	[Symbol]	[Symbol]	JOINTS	[Symbol]	[Symbol]	---	[Symbol]	[Symbol]	---	[Symbol]
[Symbol]	HYDRO	[Symbol]	[Symbol]	ASPHALT REPAIR	[Symbol]	[Symbol]	---	[Symbol]	[Symbol]	---	[Symbol]
[Symbol]	---	[Symbol]	[Symbol]	---	[Symbol]	[Symbol]	---	[Symbol]	[Symbol]	---	[Symbol]

NO.	DESCRIPTION	DATE	BY
1	ISSUED FOR TENDER	18/07/10	M.B.S.
2	UOS REVIEW	18/07/08	K.G.
3	ISSUED FOR COW REVIEW	18/06/27	R.H.

DESIGNED BY: R.H.	CHECKED BY: K.G.
DRAWN BY: R.H.	APPROVED BY: S.M.
HOR. SCALE: 1:250	RELEASED FOR CONSTRUCTION
VERT. SCALE: AS SHOWN	---

CONSULTANT DRAWING NO. 18M-00749-00-07	CONTRACT NUMBER: ---
-------------------------------------------	----------------------

<b>WSP</b>	111-93 Lombard Avenue Winnipeg, Manitoba R3B 3B1 Canada Phone: 204-943-3178 Fax: 204-943-4948 wsp.com
------------	----------------------------------------------------------------------------------------------------------------------

NOT FOR CONSTRUCTION	<b>THE CITY OF WINNIPEG</b> PUBLIC WORKS DEPARTMENT
2018 LOCAL IMPROVEMENTS CRAWFORD AVE./CHANDOS AVE. ALLEY FROM STA. AT 1+75 TO HIGHFIELD ST.	CITY DRAWING NO. LD------
APSHALT RECONSTRUCTION	SHEET 7 OF 12
	BID OPPORTUNITY 530-2018