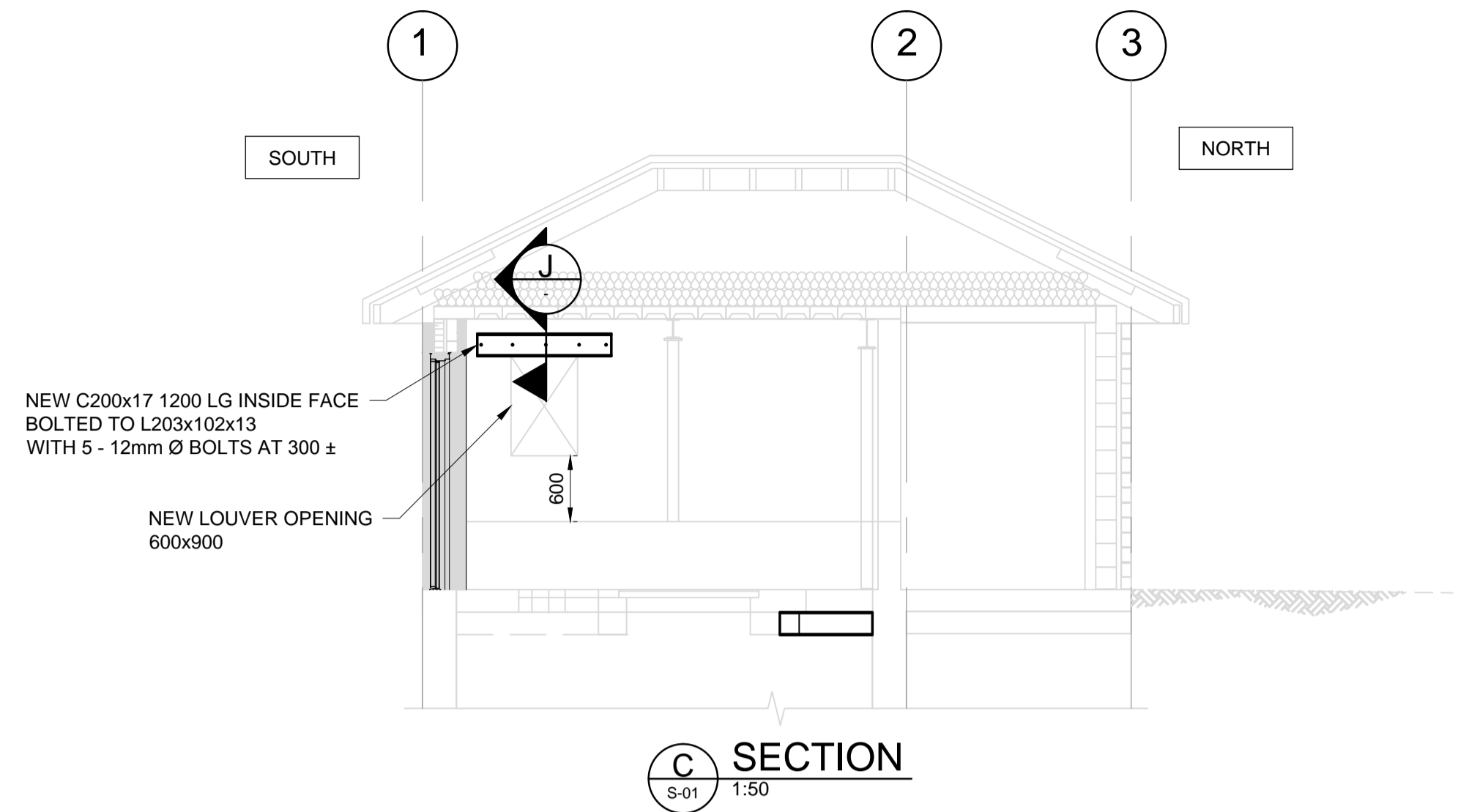
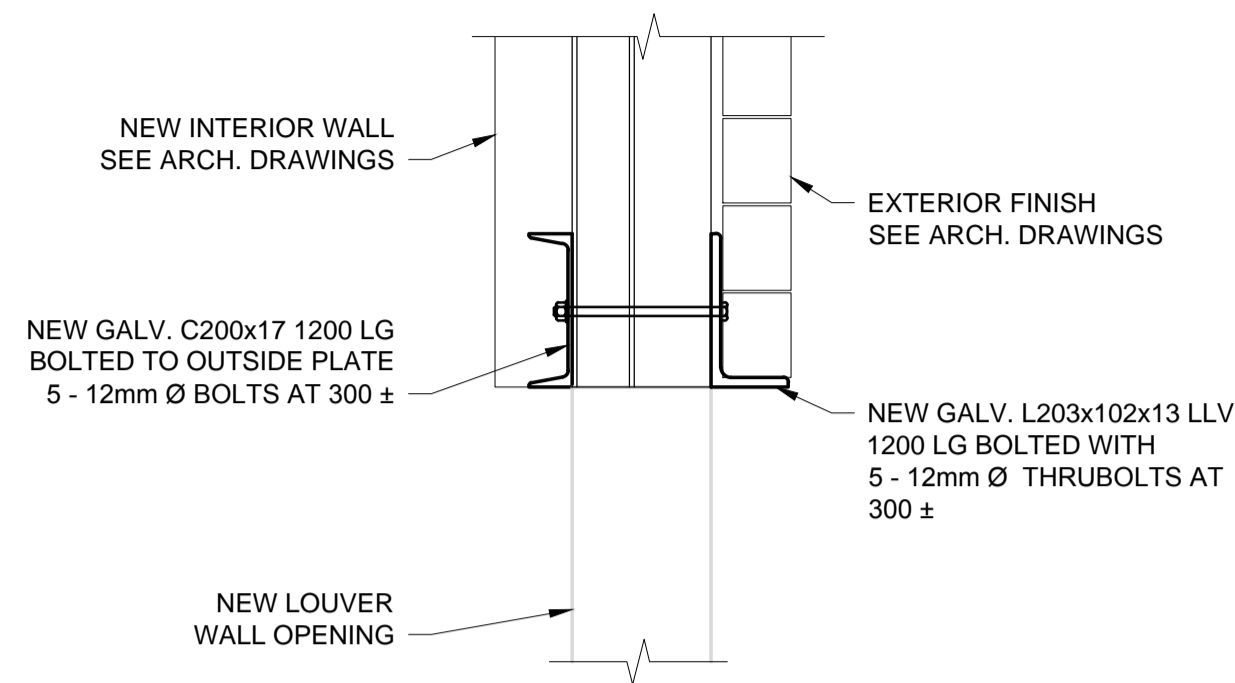


28 June 2018

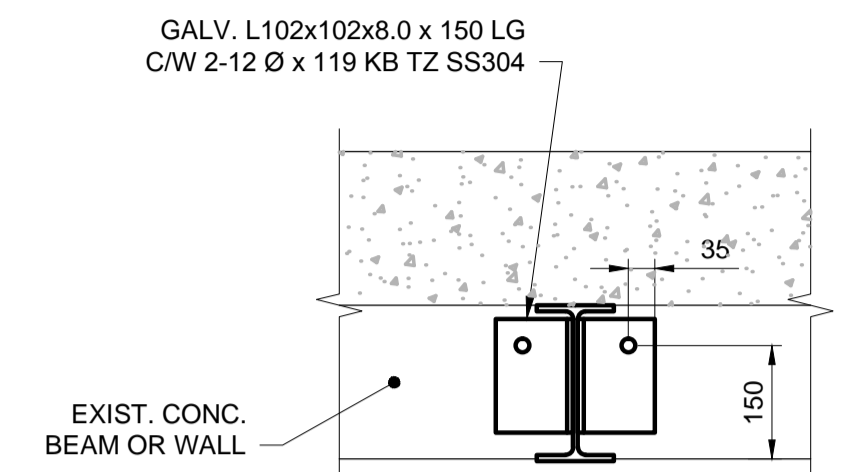
186936-01-S-COM-S04.dwg



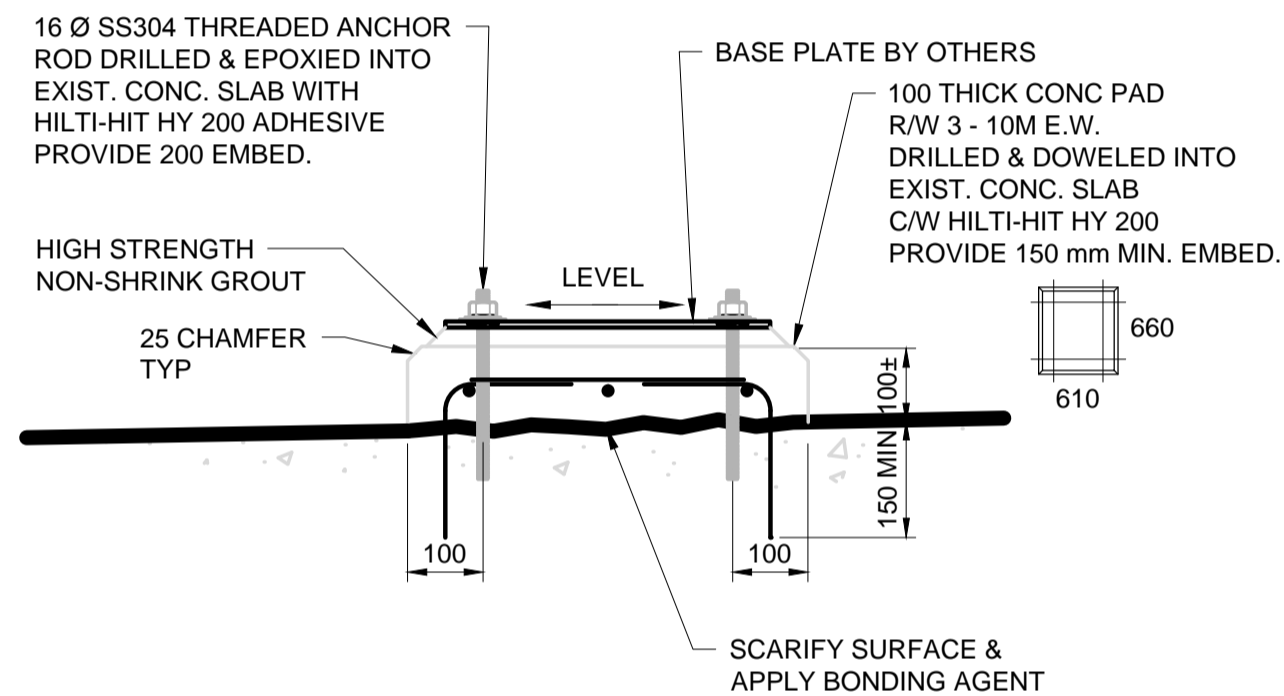
**C SECTION**  
S-01 1:50



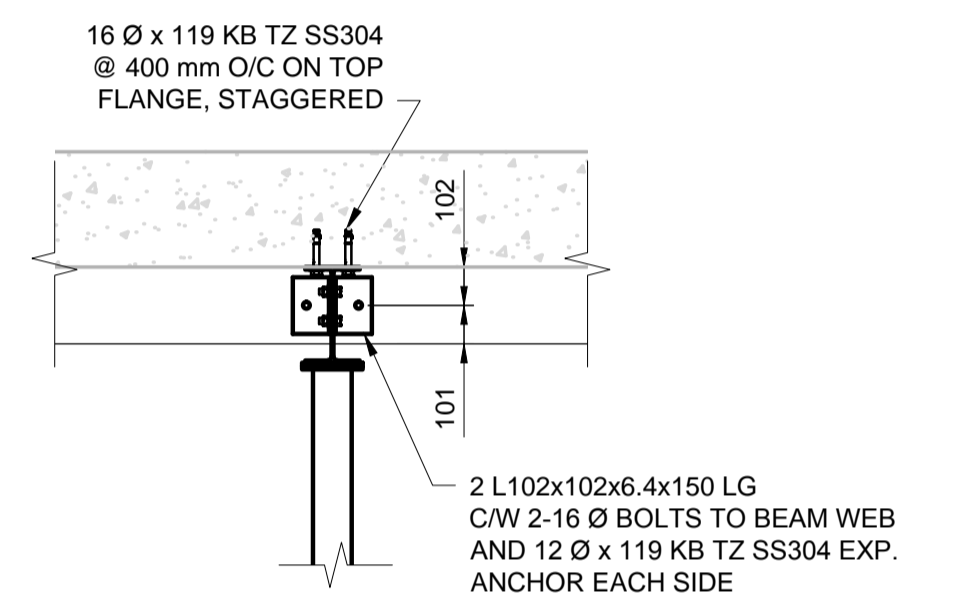
**J SECTION**  
1:25



**CONNECTION DETAIL 1**  
1:10



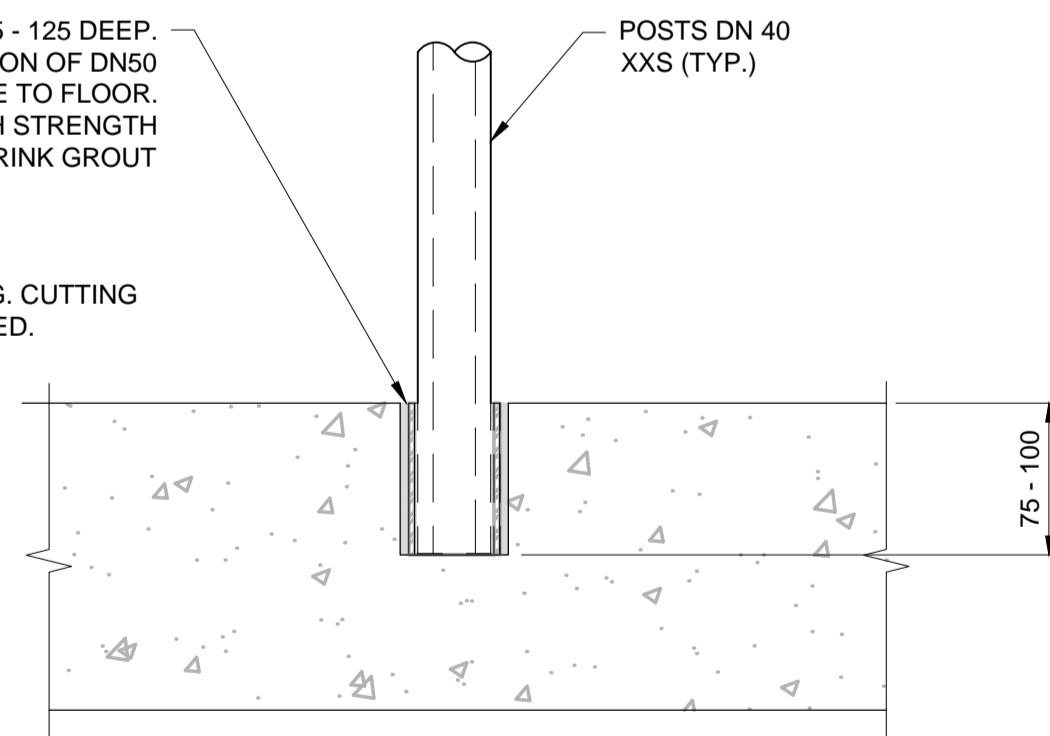
**D SECTION**  
S-03 1:10



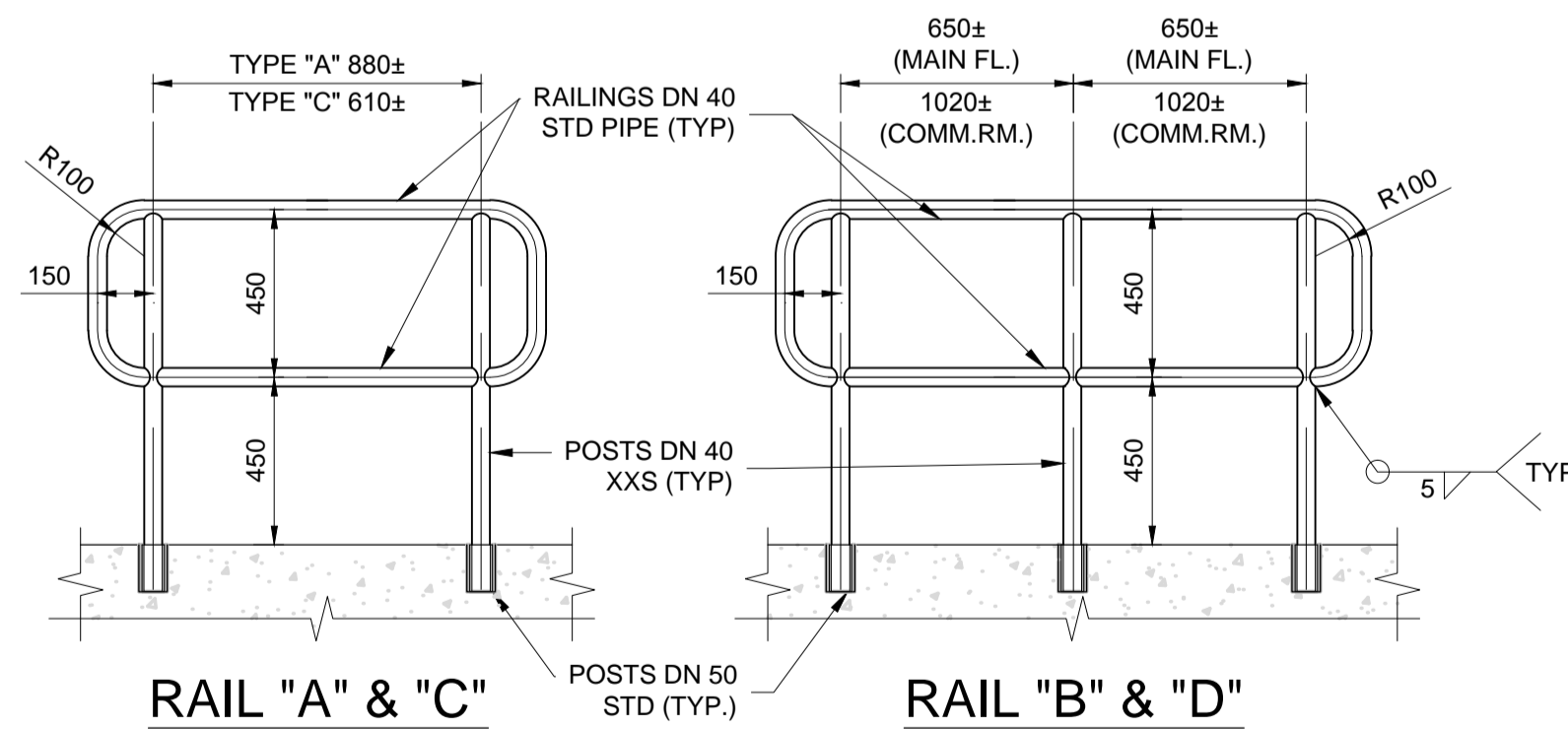
**H SECTION**  
S-03 1:20

CORE CONCRETE SLAB 75 - 125 DEEP. INSERT 75-100 mm LONG SECTION OF DN50 STD PIPE. LEVEL PIPE TO FLOOR. FILL SLAB GAP WITH HIGH STRENGTH NON-SHRINK GROUT

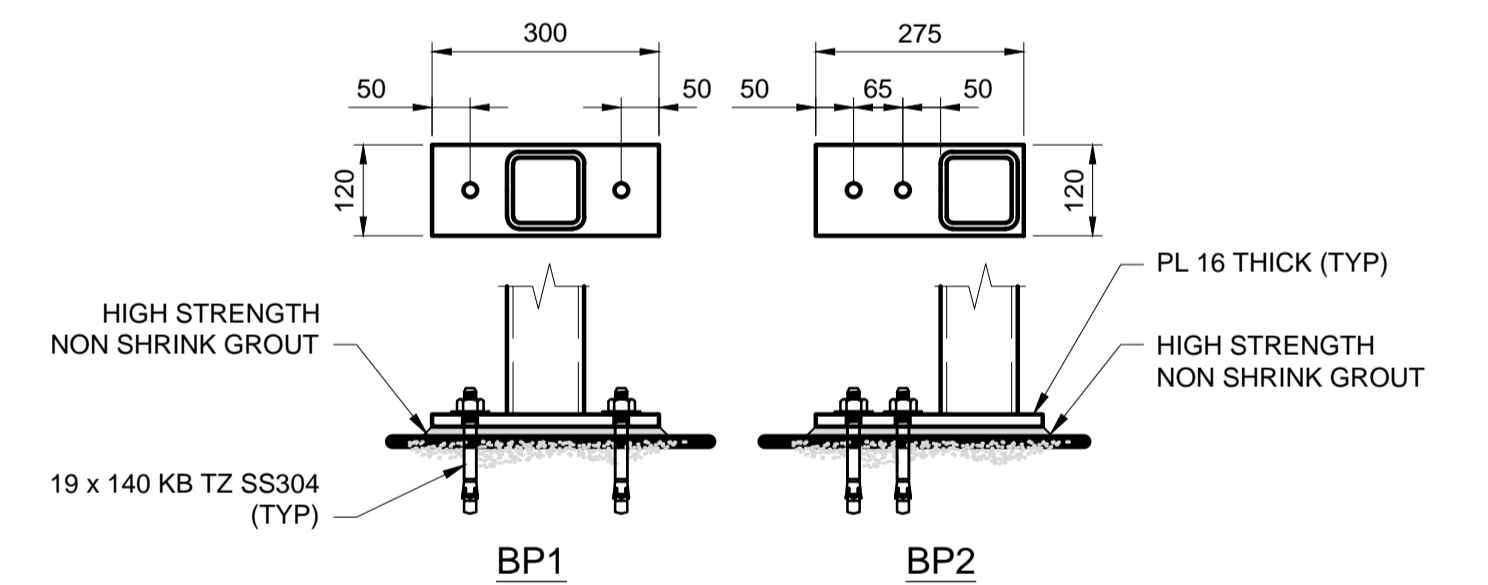
NOTE: SCAN BEAM PRIOR TO CORING. CUTTING MAIN REINFORCING IS NOT PERMITTED.



**REMOVEABLE GUARDRAIL INSERT**  
1:5



**GUARD RAILING ELEVATION**  
1:20  
CONFIRM POST SPACING DIMENSIONS ON SITE



**BASEPLATE DETAILS**  
1:10

**NOT FOR CONSTRUCTION**

**APEGM**  
Certificate of Authorization  
Dillon Consulting Limited (MB)  
No. 1789 Date: \_\_\_\_\_

NO.	REVISIONS	DATE	BY	DATE
0	ISSUED FOR TENDER	06/29/18	NR	

		DESIGNED BY	NR	CHECKED BY	MBL
		DRAWN BY	DJB	APPROVED BY	MH
HOR. SCALE		AS SHOWN		RELEASED FOR CONSTRUCTION	
VERTICAL SCALE		AS SHOWN			
DATE		JUNE 2018		DATE	

ENGINEER'S SEAL
CONSULTANT PROJECT NUMBER
18-6936

		<b>THE CITY OF WINNIPEG</b> WATER AND WASTE DEPARTMENT	
<b>HAWTHORNE WASTEWATER PUMPING STATION UPGRADES</b>		CITY DRAWING NUMBER 1-0145L-S0004-002	
		SHEET 08 OF 21	
STRUCTURAL - SECTIONS AND DETAILS SHEET 2 OF 2		CONSULTANT DRAWING NUMBER S-04	