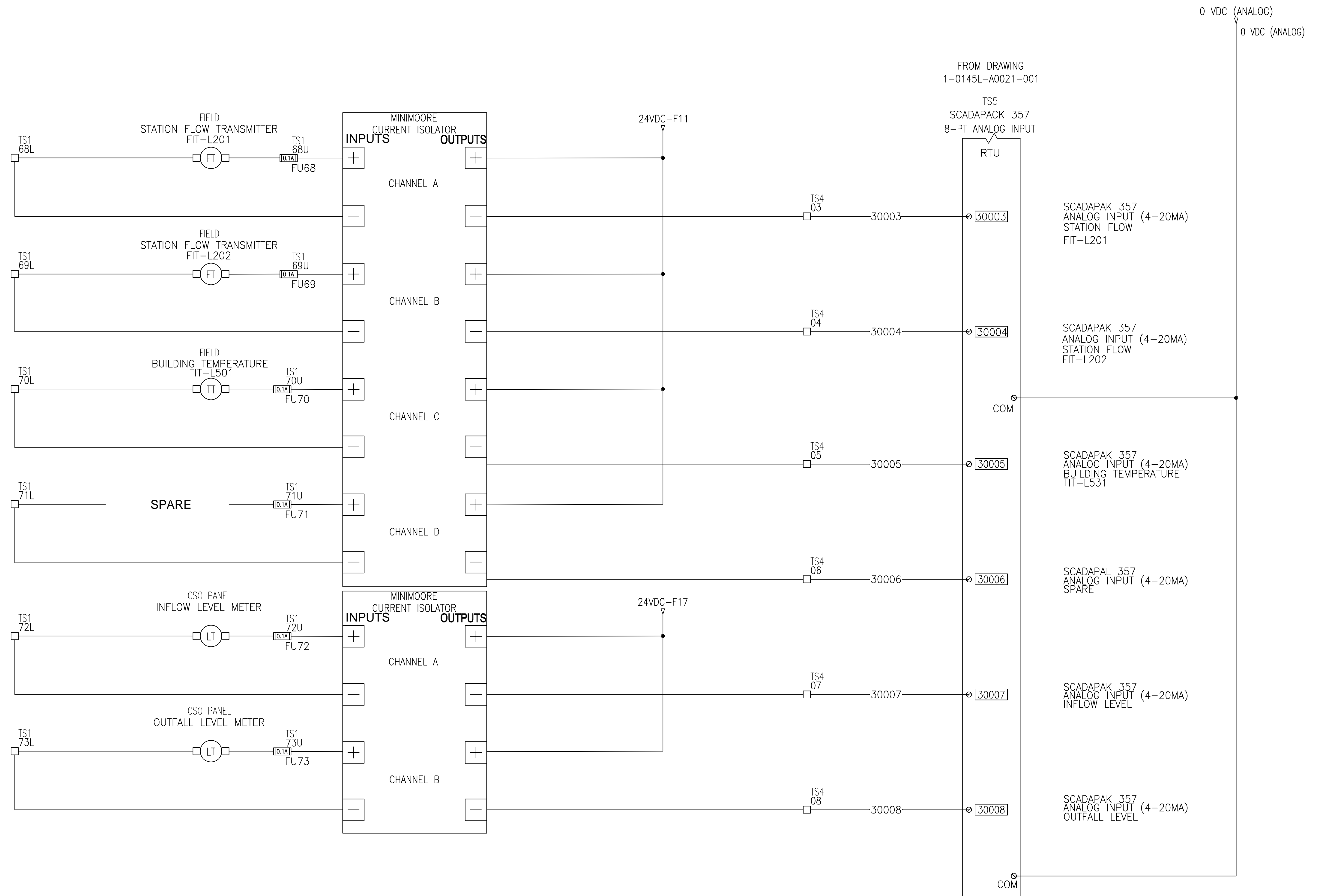


29 June 2018



163523-04-5.dwg

NOT FOR CONSTRUCTION



DESIGNED BY	BKB	CHECKED BY	BLM
DRAWN BY	SCK	APPROVED BY	MH
HOR. SCALE	NONE	RELEASED FOR CONSTRUCTION	
VERTICAL			
NO.	REVISIONS	DATE	BY
0	ISSUED FOR TENDER	06/29/18	BLM

DILLON CONSULTING		ENGINEER'S SEAL
DESIGNED BY	BKB	CHECKED BY
DRAWN BY	SCK	APPROVED BY
HOR. SCALE	NONE	RELEASED FOR CONSTRUCTION
VERTICAL		
DATE	JUNE 2018	DATE

CONSULTANT PROJECT NUMBER	18-6936
---------------------------	---------

THE CITY OF WINNIPEG
WATER AND WASTE DEPARTMENT

Winnipeg

HAWTHORNE WASTEWATER PUMPING STATION UPGRADES

AI 03-08
FLOW METER, TEMPERATURE CSO PANEL

CITY DRAWING NUMBER: 1-0145L-A0022-001

SHEET 22 OF 25

CONSULTANT DRAWING NUMBER: 22