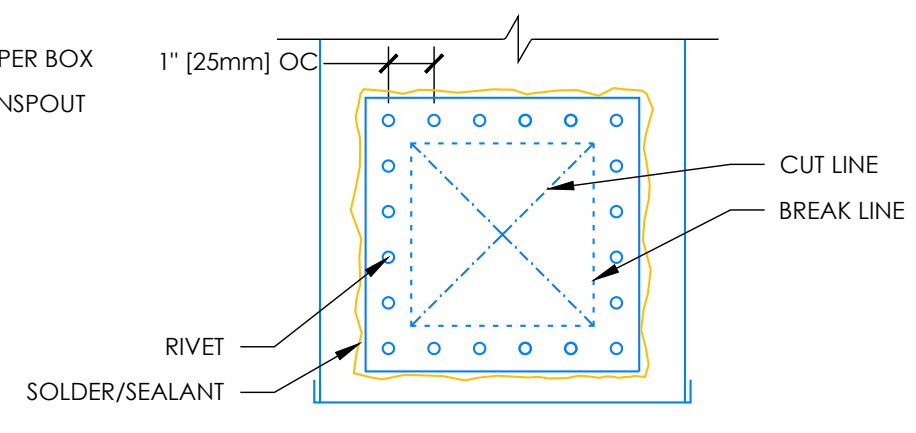
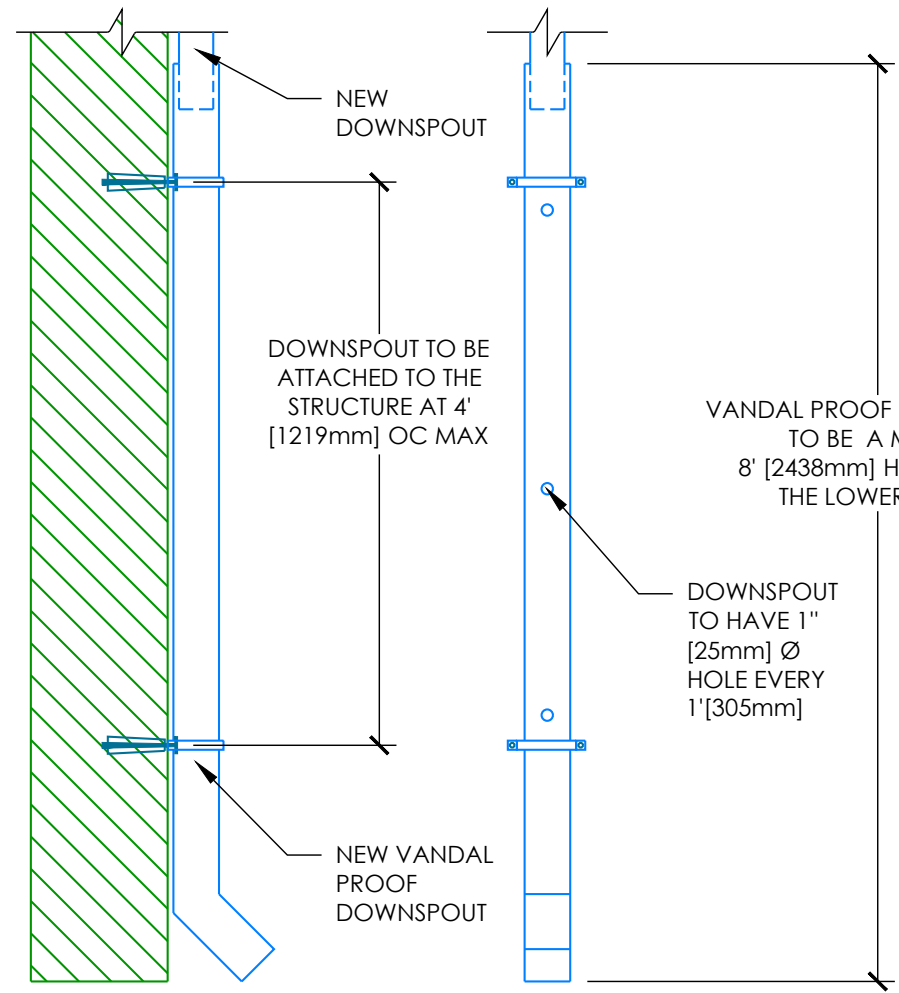


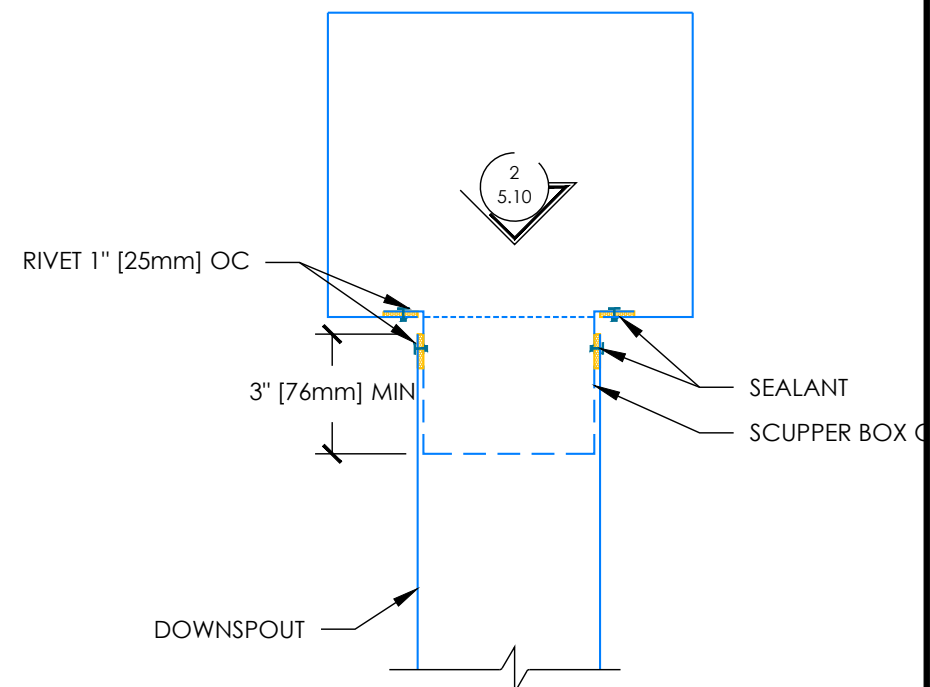
1 DOWNSPOUT
NTS



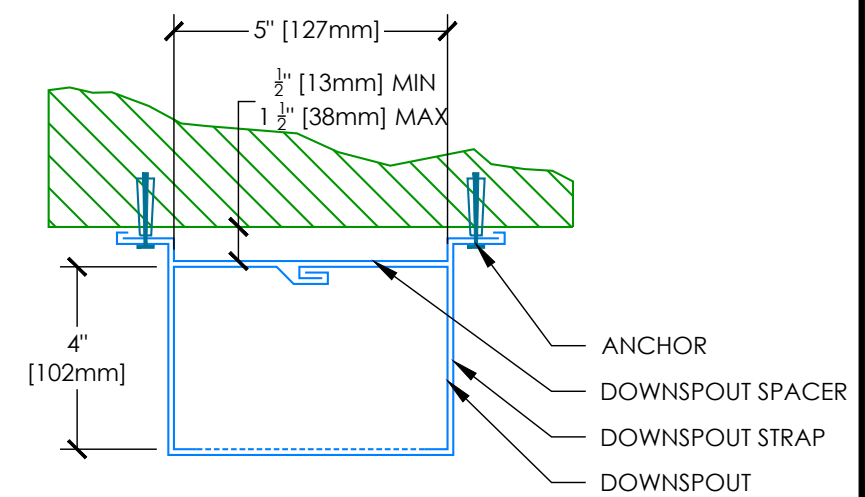
2 SCUPPER BOX OUTLET
NTS



4 DOWNSPOUT SECTION
NTS



3 DOWNSPOUT TIE-IN
NTS



5 DOWNSPOUT STRAP
NTS

RMIS ENGINEERING



389 MAXWELL CRESCENT
Regina, SK S4N 5X9
www.rmiseng.ca
Phone 306.352.4606
Fax 306.352.4607



WESTWOOD LIBRARY
C.13.MB.35-18.02.03

66 ALLARD AVENUE
WINNIPEG, MB R3K 0T3

CITY OF WINNIPEG

4TH FLOOR - 185 KING STREET
WINNIPEG, MB R3B 1J1

No.	DATE	DESCRIPTION

DESIGNED BY SMC 04/27/2018
DRAWN BY SED 04/27/2018
REVIEWED BY SMC 05/03/2018

DOWNSPOUT
DETAILS

A 5.10