

**CONCENTRIC**  
CLIENT-CENTRIC. CHALLENGE DRIVEN.

**LONDON** Toll Free 1-866-919-4531  
**OTTAWA** Toll Free 1-866-919-4530  
**QUALUIT** Toll Free 1-866-919-4533  
**SASKATOON** Toll Free 1-866-919-8899  
**WINNIPEG** Toll Free 1-866-919-4531  
**TORONTO** Tel. 1-647-351-0095  
**COQUITLAM** Tel. 1-604-553-4056

**REVISIONS**

NO.	REVISIONS	DATE	BY
00	ISSUED FOR CLIENT REVIEW	17.10.11	IOH
01	ISSUED FOR BID SUBMISSION	18.02.27	IOH
02	REVISED FOR BID SUBMISSION	18.04.06	IOH

**NORTH**

PROFESSIONAL ENGINEER  
S. G.  
HALL  
18.04.06  
MEMBER  
37420

DESIGN	IOH	DRAWN	IOH
CHECKED	RAS	REVIEWED	SGH

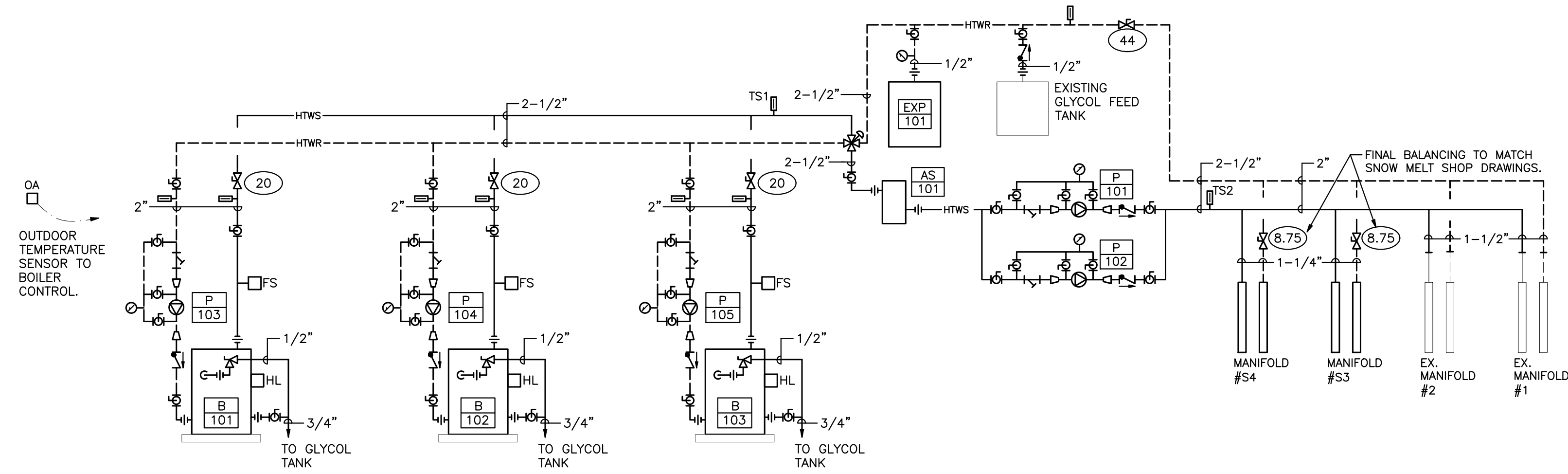
**PROJECT**  
MILLENNIUM LIBRARY  
SNOW MELT DESIGN

**ADDRESS**  
251 DONALD STREET  
WINNIPEG MANITOBA

**PROJECT NO.**  
CE-3749

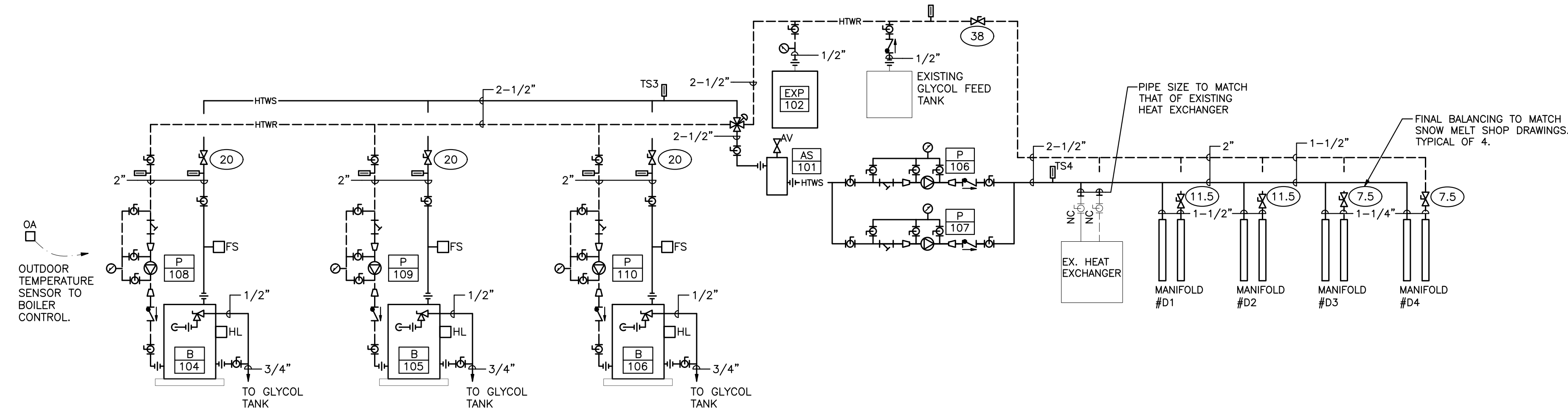
**DRAWING TITLE**  
MECHANICAL PIPING  
SCHEMATICS

**DRAWING NUMBER**  
M3 OF 4



**SMITH ST. BOILER ROOM - NEW**

SCALE: NTS



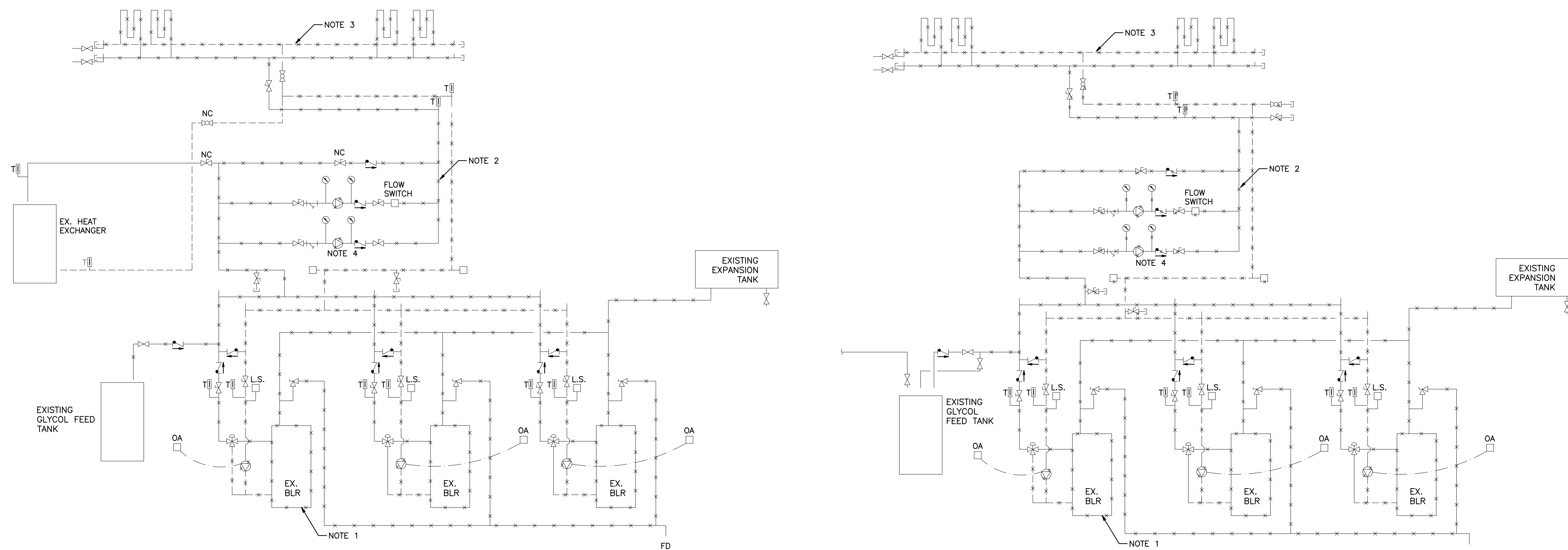
**DONALD ST. BOILER ROOM - NEW**

SCALE: NTS

**PIPING LEGEND**

ITEM	DESCRIPTION
---	NEW ITEM
---	EXISTING ITEM TO REMAIN
---	EXISTING ITEM TO BE REMOVED
---	BELOW FLOOR PIPING
---	DOMESTIC COLD WATER (DCW)
---	DOMESTIC HOT WATER (DHW)
---	DOMESTIC HOT WATER RETURN
---	STORM DRAIN
---	SANITARY DRAIN
---	NATURAL GAS
---	STEAM
---	STEAM CONDENSATE
---	CHILLED WATER SUPPLY
---	CHILLED WATER RETURN
---	HOT WATER SUPPLY
---	HOT WATER RETURN
---	CONDENSER WATER SUPPLY
---	CONDENSER WATER RETURN
---	MEDICAL OXYGEN
---	MEDICAL VACUUM
---	MEDICAL AIR
---	GATE VALVE
---	BALL VALVE
---	BUTTERFLY VALVE
---	GLOBE VALVE
---	THERMOSTATIC BALANCING VALVE
---	BALANCING VALVE
---	? = FLOW RATE
---	PRESSURE INDEPENDENT CONTROL VALVE
---	? = FLOW RATE
---	UNION
---	CIRCUIT SETTER
---	PLUG VALVE
---	GAS VALVE
---	STRAINER
---	CHECK VALVE
---	TRIPLE DUTY VALVE
---	2 WAY CONTROL VALVE
---	3 WAY CONTROL VALVE
---	PRESSURE RELIEF VALVE
---	PRESSURE REDUCING VALVE
---	BACKFLOW PREVENTER
---	DOUBLE CHECK VALVE ASSEMBLY
---	REDUCED PRESSURE ASSEMBLY
---	PUMP
---	FLEXIBLE CONNECTION
---	REDUCER/INCREASER
---	ELBOW TURNED UP
---	ELBOW TURNED DOWN
---	PIPE CAP
---	PIPE SINGLE LINE CUTOFF
---	PRESSURE GAUGE
---	THERMOMETER
---	SENSOR WELL (T--TEMPERATURE)
---	SENSOR WELL (P--PRESSURE)
---	FLOW SWITCH
---	LOW WATER CUT OFF
---	ANCHOR
---	GUIDE
---	FLOOR CLEAN OUT
---	WALL CLEAN OUT
---	ROOF DRAIN
---	HOSE BIB
---	FROST PROOF WALL HYDRANT
---	FLOOR DRAIN; FFD: FUNNEL FLOOR DRAIN; HD: HUB DRAIN
---	FIRE EXTINGUISHER

THIS IS A STANDARD LEGEND. ALL SYMBOLS MAY NOT NECESSARILY BE USED ON DRAWINGS.



**DONALD ST. BOILER ROOM - DEMO**

SCALE: NTS

**SMITH ST. BOILER ROOM - DEMO**

SCALE: NTS