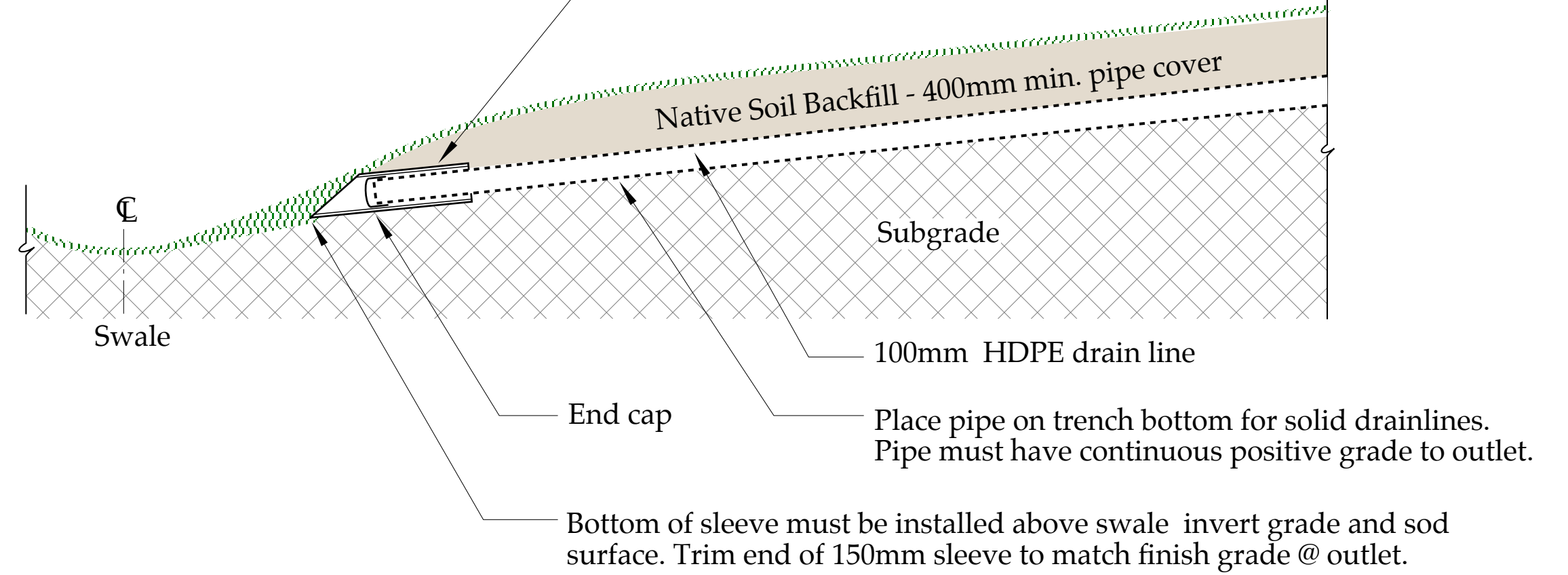
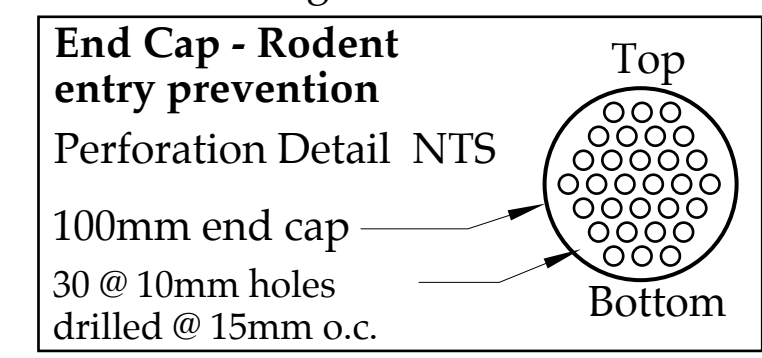
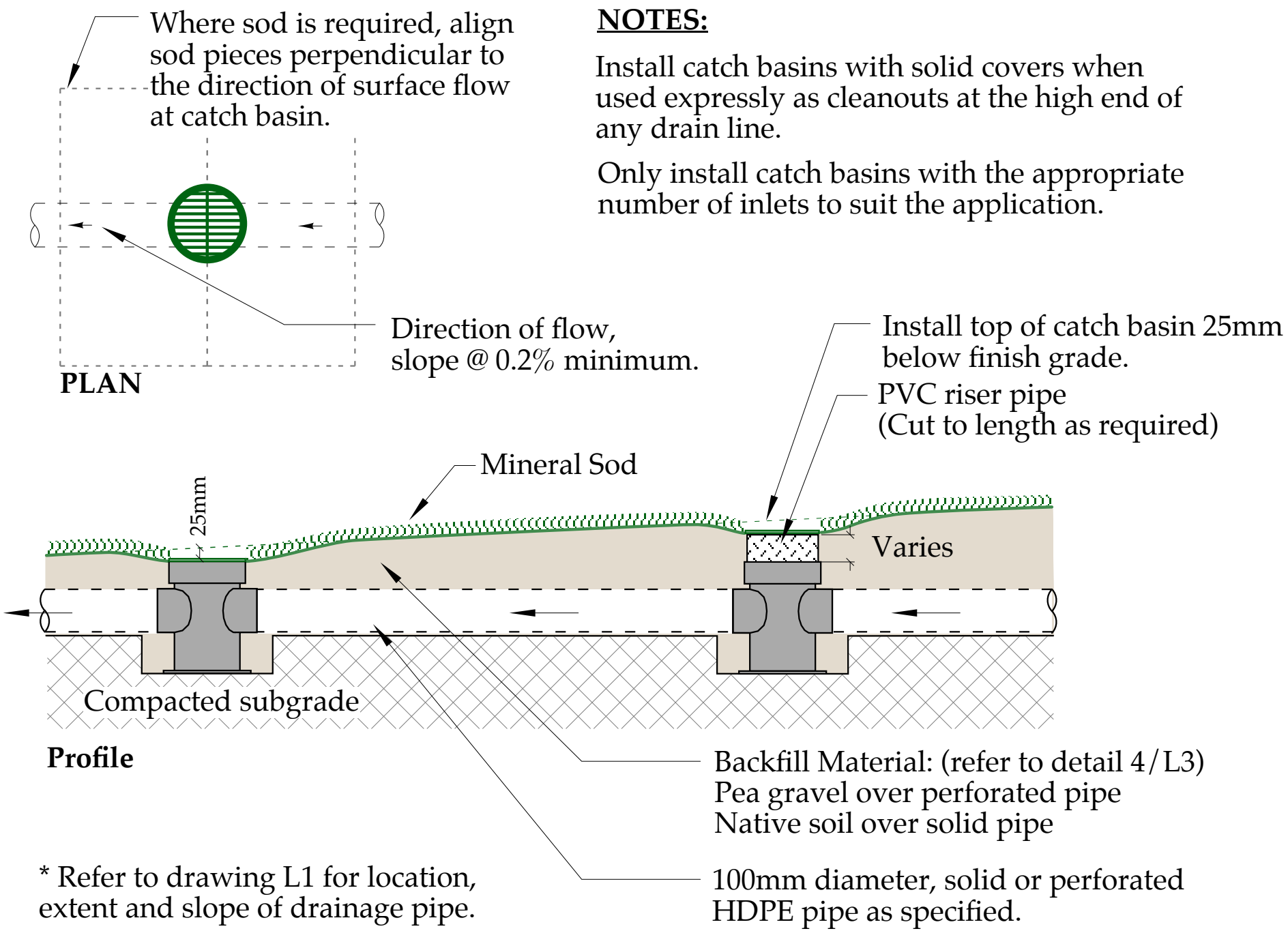


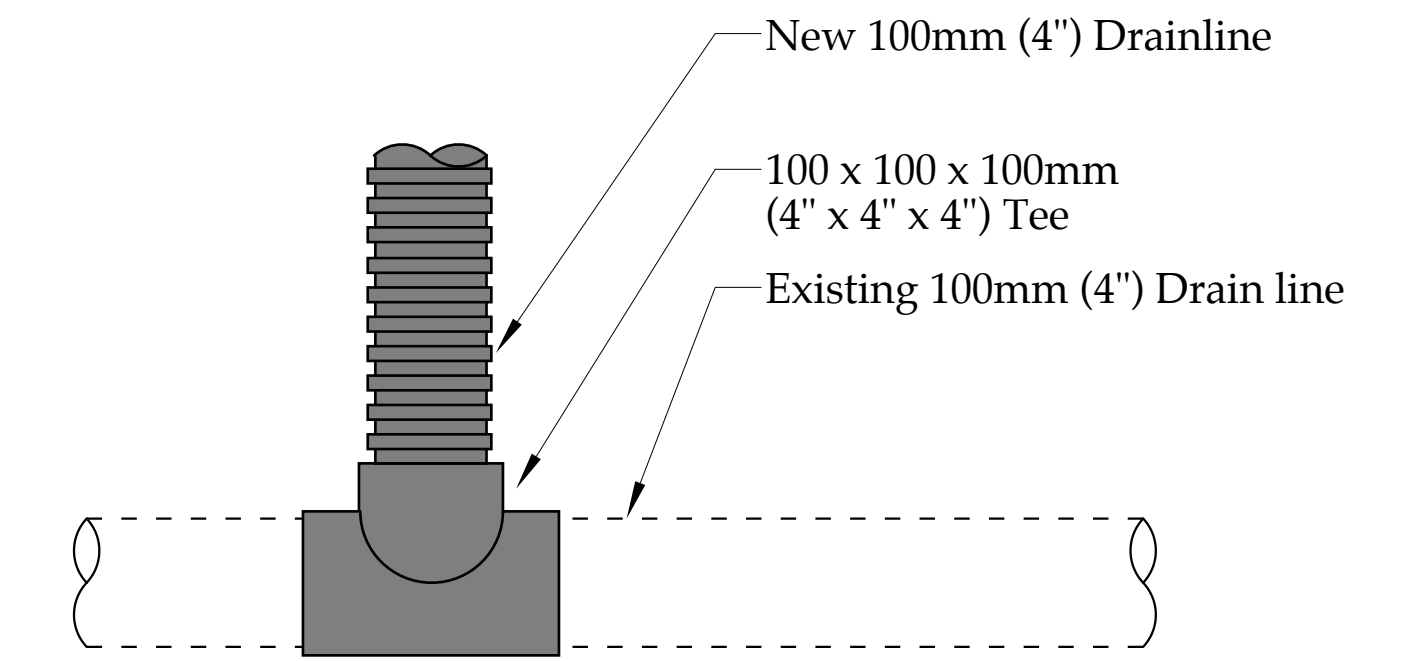
Also Refer to Catch Basin & Drainline, Detail Drawing 2/L3



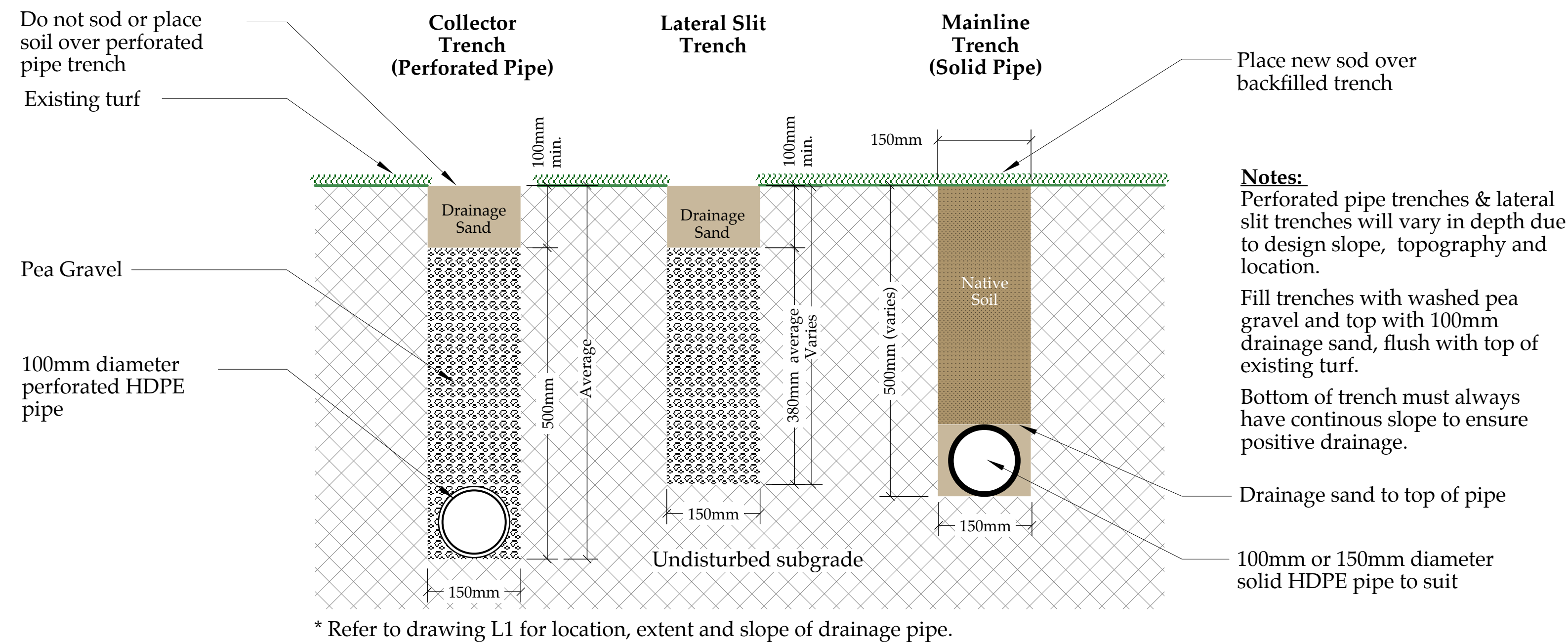
1
L3 **Drain Outlet Detail** Section
Scale: 1 : 24



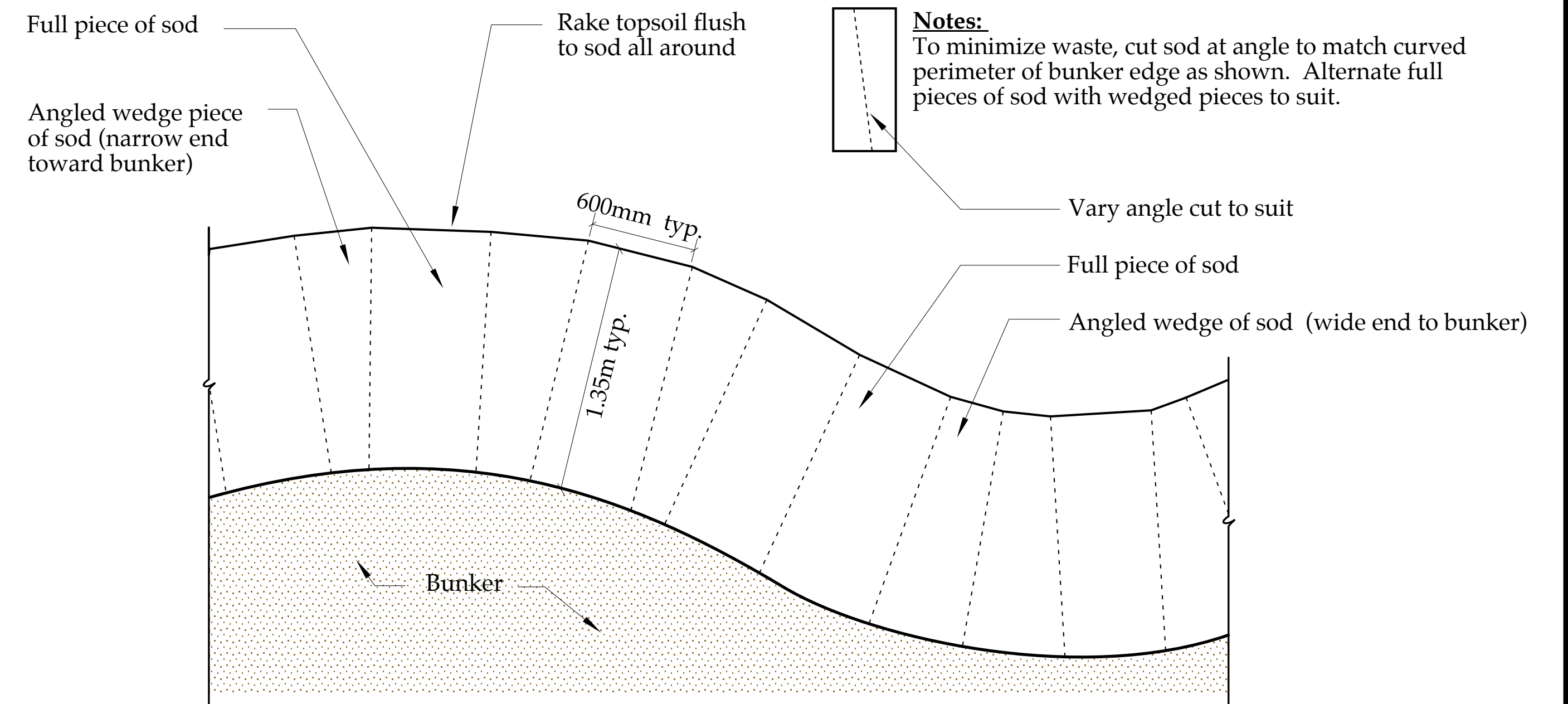
NOTES:
Install catch basins with solid covers when used expressly as cleanouts at the high end of any drain line.
Only install catch basins with the appropriate number of inlets to suit the application.



3
L3 **Drainage Pipe Tie-in Detail** Section
Scale: 1 : 6



4
L3 **Trenching Detail** Typical Section
Scale: 1 : 6



5
L3 **Bunker Sodding Detail** Plan
Scale: 1 : 24

GRANT GOLF

Golf Course Planning • Design • Construction Management
Winnipeg, Manitoba R3R 3B1
Ph: (204) 229-2419 • Email: grantgolf@mac.com

Project: **Kildonan Park Golf Course**
2021 Main St., Winnipeg, MB.
Drawing Title: **Construction Details**

Notes:
Bid Opportunity 314-2018

Scale: As shown
North:

Drawn:
Checked: **DG**
Proj. No.: **18.02**

Date: March 12, 2018
Current Revision: March 30, 2018

Drawing No.: **L3**