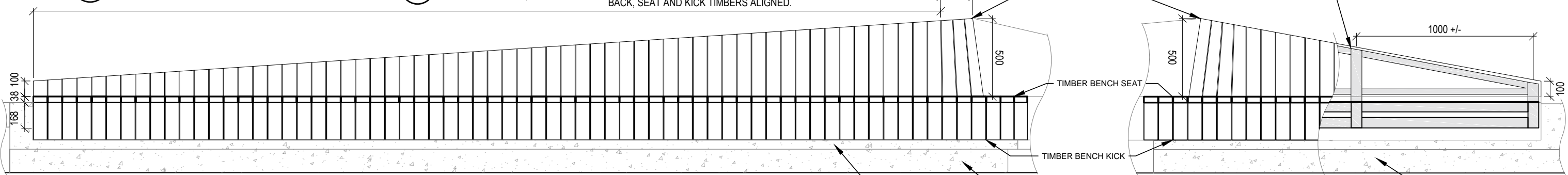
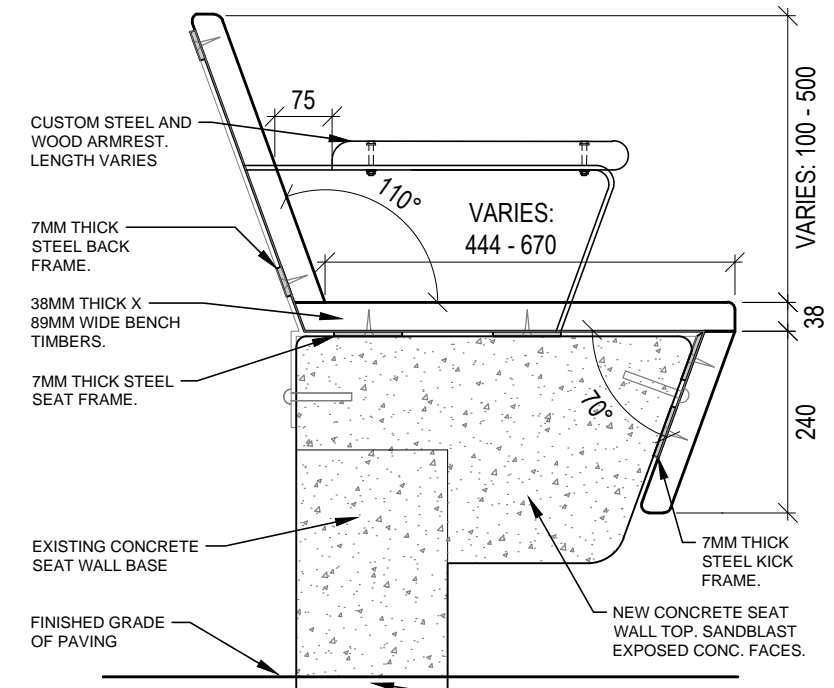


1 BENCH 'B' PLAN
SCALE - 1 : 50

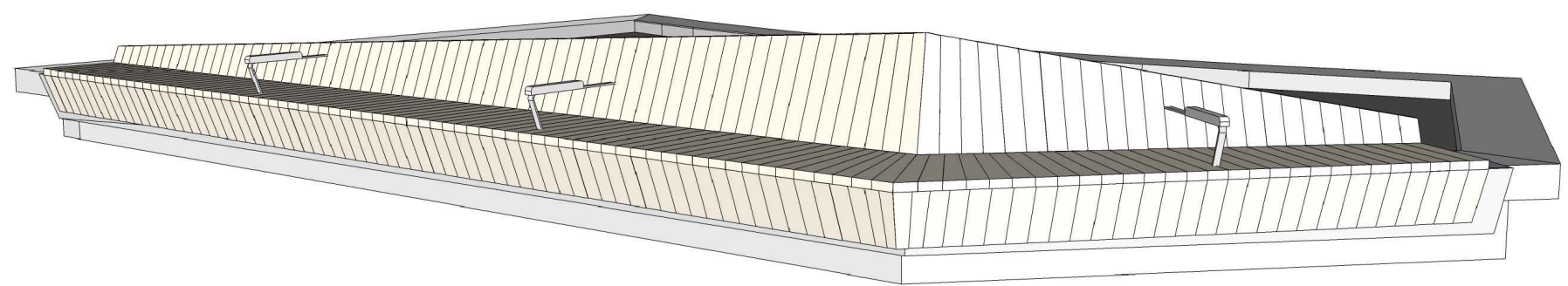


2 BENCH 'B' ELEVATION
SCALE - 1 : 25

3 BENCH 'B' ELEVATION
SCALE - 1 : 25



4 BENCH 'B' SECTION
SCALE - 1 : 10



5 BENCH 'B' 3D SKETCH
NTS

GENERAL NOTES:

- ALL EXISTING STRUCTURES, TREES, SIDEWALKS, CURBS, UTILITIES AND PAVING TO BE PROTECTED (UNLESS OTHERWISE NOTED) DURING CONSTRUCTION TO CITY OF WINNIPEG STANDARDS. CONTRACTOR TO MAKE GOOD ALL DAMAGED AREA DURING CONSTRUCTION BOTH ON AND OFF SITE TO CITY OF WINNIPEG STANDARDS AT THE CONTRACTORS COSTS
- CONFIRMATION OF EXISTENCE AND EXACT LOCATION OF ALL SERVICES MUST BE OBTAINED FROM THE INDIVIDUAL UTILITIES BEFORE PROCEEDING WITH CONSTRUCTION
- CONTRACTOR TO CONFIRM ALL EXISTING GRADES, BUILDING LOCATIONS, LAYOUT, DIMENSIONS AND MATERIALS ON SITE AND REPORT ANY DISCREPANCIES TO THE CONTRACT ADMINISTRATOR PRIOR TO CONSTRUCTION

REV	YY/MM/DD	DESCRIPTION	BY

CLIENT	CITY OF WINNIPEG						
PROJECT	AIR CANADA WINDOW PARK SITE REDEVELOPMENT						
TITLE	BENCH 'B' LAYOUT & DETAILS						
DESIGN	CO/ML	DRAWN	ML	DATE - Y / M / D	18/04/09	SCALE	AS NOTED
CHECKED		APPROVED		PROJECT NO.	17-0107-018	DRAWING NO.	L07
