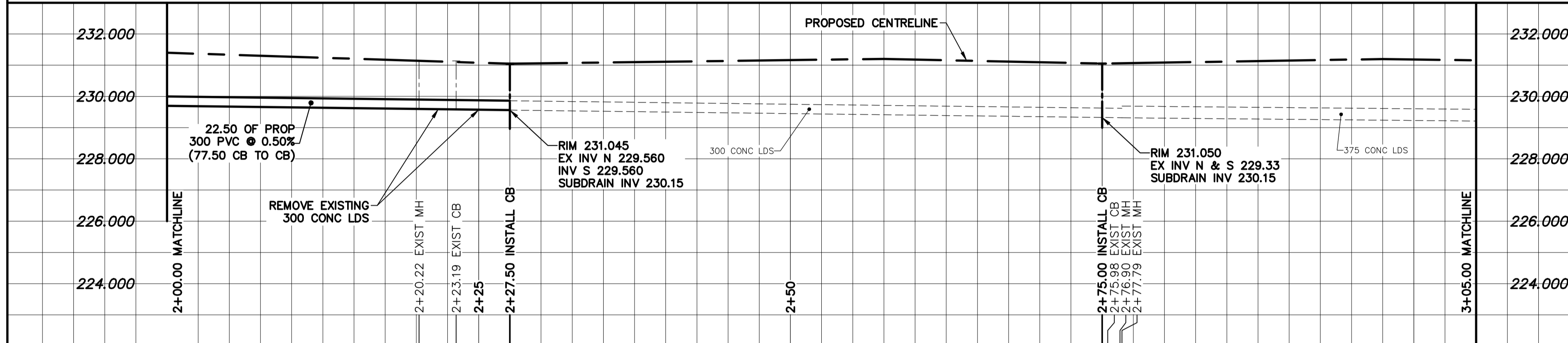


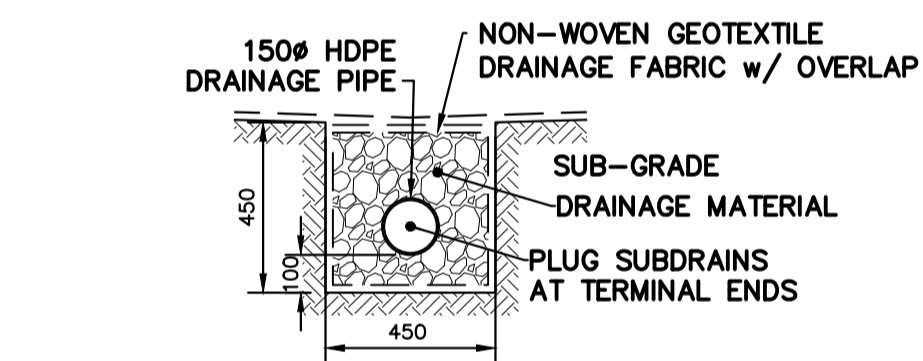
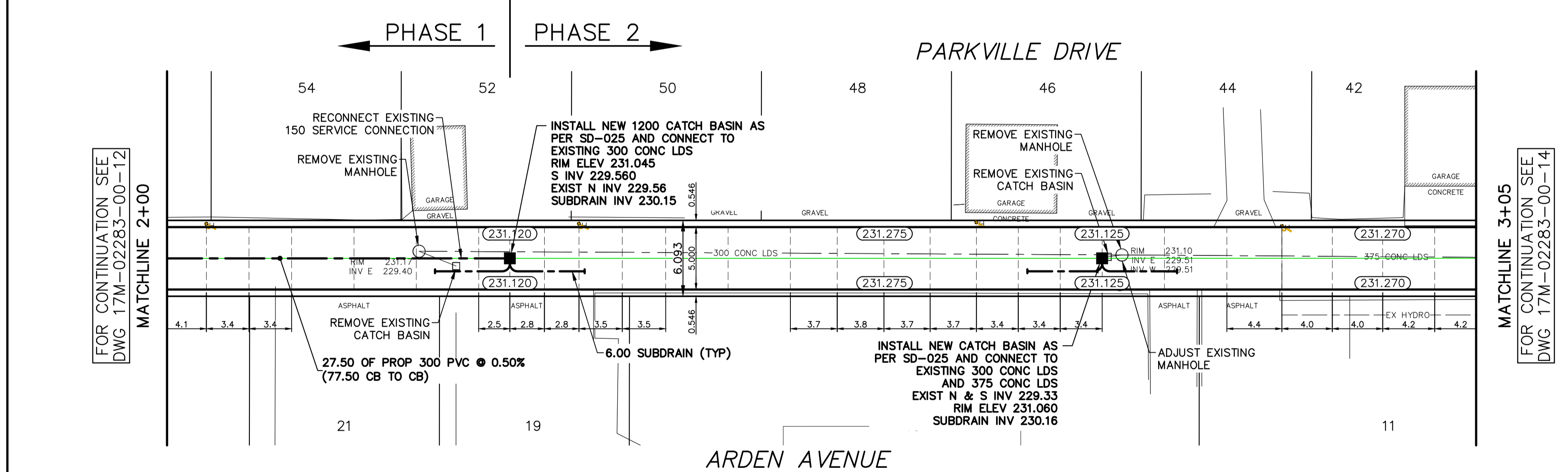
- NOTES:**
1. ALL WORK AND MATERIALS TO BE IN ACCORDANCE WITH THE LATEST REVISION OF THE CITY OF WINNIPEG STANDARD CONSTRUCTION SPECIFICATION.
  2. CONTRACTOR TO CONFIRM THE LOCATION OF ALL UTILITIES/SERVICES IN THE FIELD PRIOR TO CONSTRUCTION.
  3. CONTRACTOR TO AVOID DAMAGE TO EXISTING TREES WITHIN THE LIMITS OF THE ALLEY RIGHT OF WAY AS OUTLINED IN THE BID OPPORTUNITY.
  4. HYDRO POLES AND ANCHORS REQUIRING TEMPORARY SUPPORT TO BE DONE AT THE EXPENSE OF THE CONTRACTOR AS REQUIRED.
  5. WHERE UNSTABLE SUB-GRADES ARE ENCOUNTERED, ADDITIONAL EXCAVATION/SUB-BASE AND INSTALLATION OF GEOGRID TO BE DETERMINED BY THE CONTRACT ADMINISTRATOR AND CONSTRUCTED IN ACCORDANCE W/ CW-3110.
  6. PROPOSED ELEVATIONS GIVEN ARE FOR EDGE OF PAVEMENT.
  7. ISOLATE EXISTING HYDRO POLES AS PER SD-228C.
  8. RENEW CURB AND SIDEWALK AS DIRECTED BY THE CONTRACT ADMINISTRATOR.
  9. MODIFIED BARRIER CURBS TO BE CONSTRUCTED AT ALL BACK LANE RADII.
  10. ALL EXISTING PRIVATE APPROACHES TO BE RENEWED AS DIRECTED BY THE CONTRACT ADMINISTRATOR.
  11. ADJUSTMENTS TO PROPOSED CROSSFALL, WHERE REQUIRED, ARE TO BE DETERMINED BY THE CONTRACT ADMINISTRATOR TO SUIT EXISTING DRIVEWAYS, APPROACHES, ETC.
  12. ALL BOULEVARD RESTORATION TO BE SOODED UNLESS OTHERWISE NOTED.
  13. INSTALLATION OF LIP CURBS AND THEIR LIMITS THROUGH PRIVATE APPROACHES TO BE DETERMINED BY THE CONTRACT ADMINISTRATOR.
  14. REMOVE, ADJUST, AND SUPPLY PRECAST SIDEWALK BLOCKS AS DIRECTED BY THE CONTRACT ADMINISTRATOR.

**LANE PAVEMENT PROFILE**  
SCALE: 1:250 HOR  
1:10 VER

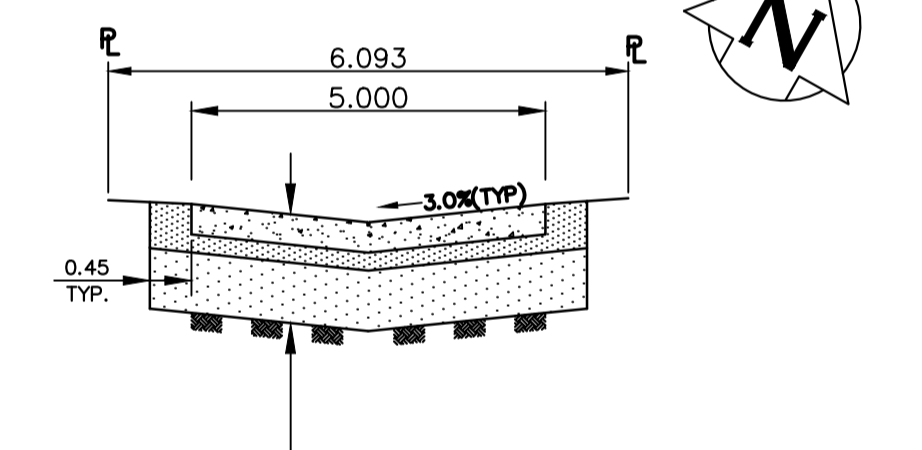


**LAND DRAINAGE SEWER PROFILE**  
SCALE: 1:250 HOR  
1:100 VER

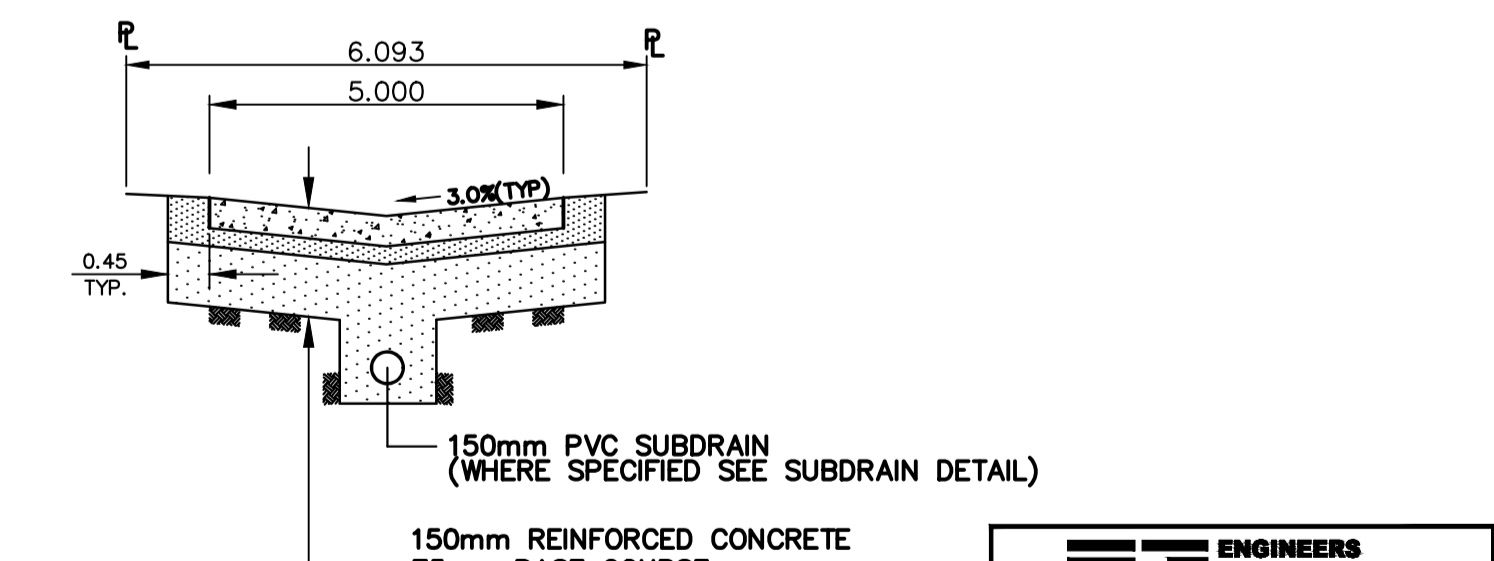
NOTE: CHAINAGES SHOWN ARE ALONG CL OF RIGHT-OF-WAY



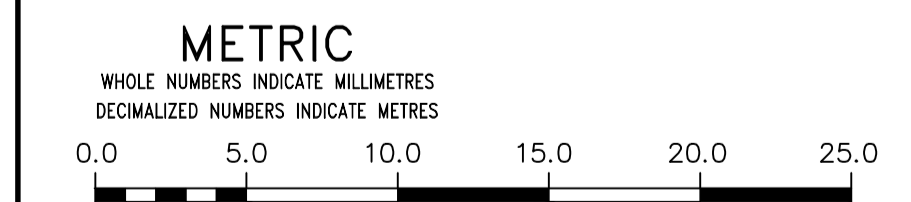
**TYPICAL ALLEY SUBDRAIN DETAIL**  
SCALE: N.T.S.



**TYPICAL ALLEY CROSS SECTION**  
SCALE: N.T.S.



**TYPICAL ALLEY CROSS SECTION WITH SUBDRAIN**  
SCALE: N.T.S.



WATERMAIN	CONCRETE/ASPHALT	150 MM	WATERMAIN	150 MM
HYDRANT	SIDEWALK	300 LDS	VALVE	300 LDS
VALVE	CURB RAMP	250 WWS	LAND DRAINAGE SEWER	300 LDS
CURB STOP	ELEVATIONS	(232.000)	WASTE WATER SEWER	250 WWS
LAND DRAINAGE SEWER	PROPERTY LINE		CENTERLINE	
WASTE WATER SEWER	SURVEY BAR		SOUTH & EAST GUTTER	
CB LEAD	HYDRO POLE		NORTH & WEST GUTTER	
MANHOLE	STREET LIGHT		S & E GARAGE PAD	
CATCH BASIN	JOINTS		N & W GARAGE PAD	
GAS	ASPHALT REPAIR			
HYDRO				
EXISTING	LEGEND - PLAN	PROPOSED	EXISTING	LEGEND - PROFILE
				PROPOSED

**LOCATION APPROVED UNDERGROUND STRUCTURES**

SUPV. U/G STRUCTURES DATE COMMITTEE

NOTE:  
LOCATION OF UNDERGROUND STRUCTURES AS SHOWN ARE BASED ON THE BEST INFORMATION AVAILABLE BUT NO GUARANTEE IS GIVEN THAT ALL EXISTING UTILITIES ARE SHOWN OR THAT THE GIVEN LOCATIONS ARE EXACT. CONFIRMATION OF EXISTENCE AND EXACT LOCATION OF ALL SERVICES MUST BE OBTAINED FROM THE INDIVIDUAL UTILITIES BEFORE PROCEEDING WITH CONSTRUCTION.

B.M. ELEV.			
DESIGNED BY	K.G.	CHECKED BY	R.H.
DRAWN BY	R.H.	APPROVED BY	S.M.
ISSUED FOR TENDER	18/03/29	R.H.	
DETAILED DESIGN REVIEW	18/03/29	K.G.	
PRELIMINARY DESIGN REVIEW	18/01/15	K.G.	
REVISIONS	DATE	BY	
NO			

**wsp**

111-93 Lombard Avenue  
Winnipeg, Manitoba  
R3B 3B1 Canada  
Phone: 204-943-3178  
Fax: 204-943-4948  
wsp.com

DESIGNED BY: K.G.  
CHECKED BY: R.H.  
DRAWN BY: R.H.  
APPROVED BY: S.M.

HOR. SCALE: 1:250  
VERT. SCALE: 1:25

RELEASED FOR CONSTRUCTION

CONSULTANT DRAWING NO. 17M-02283-00-13

DESIGNED BY: K.G.  
CHECKED BY: R.H.  
DRAWN BY: R.H.  
APPROVED BY: S.M.

HOR. SCALE: 1:250  
VERT. SCALE: 1:25

RELEASED FOR CONSTRUCTION

CONSULTANT DRAWING NO. 17M-02283-00-13

NOT FOR CONSTRUCTION

**Winnipeg**

**THE CITY OF WINNIPEG**  
PUBLIC WORKS DEPARTMENT

2018 ALLEY RENEWALS  
PARKVILLE DRIVE / ARDEN AVENUE ALLEY  
FROM MATCHLINE AT STA 2+00  
TO MATCHLINE AT STA 3+05

CITY DRAWING NO. SHEET 2 OF 3  
BID OPPORTUNITY 27-2018

CONCRETE PAVEMENT

**ENGINEERS GEOSCIENTISTS MANITOBA**  
Certificate of Authorization  
**WSP Canada Group Limited**  
No. 6657