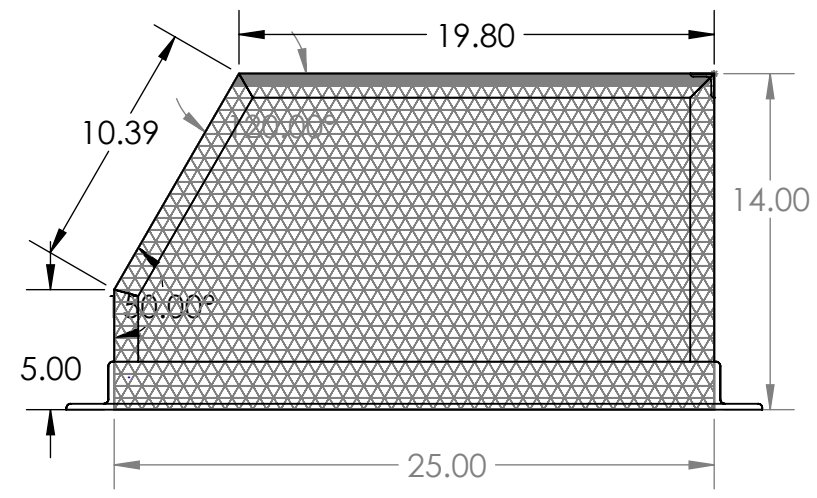
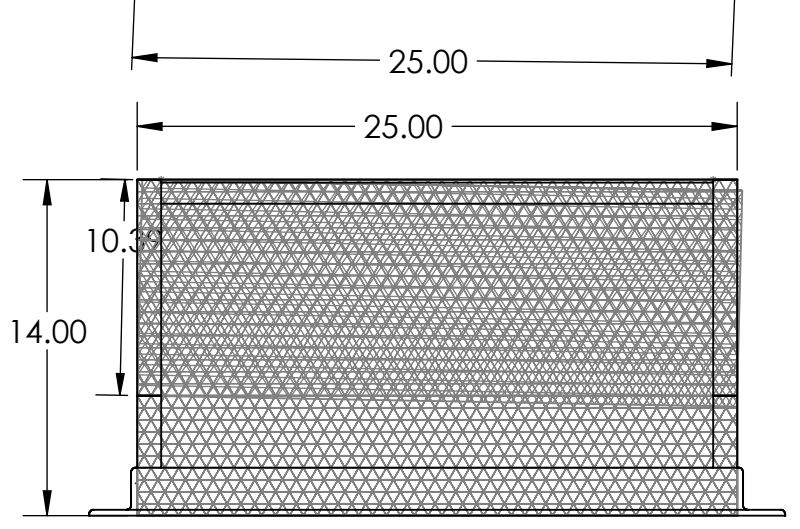
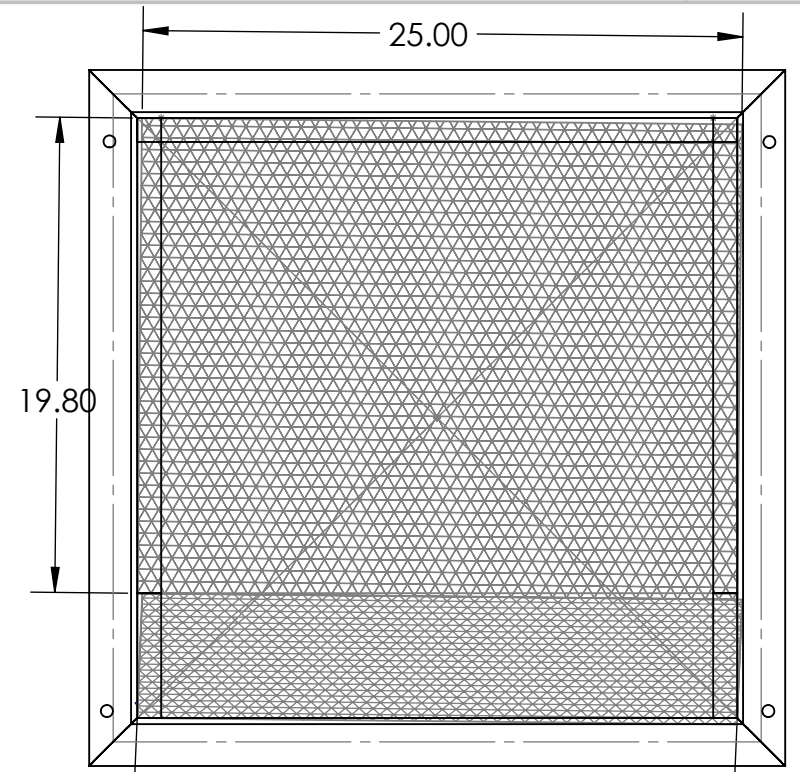


4

3

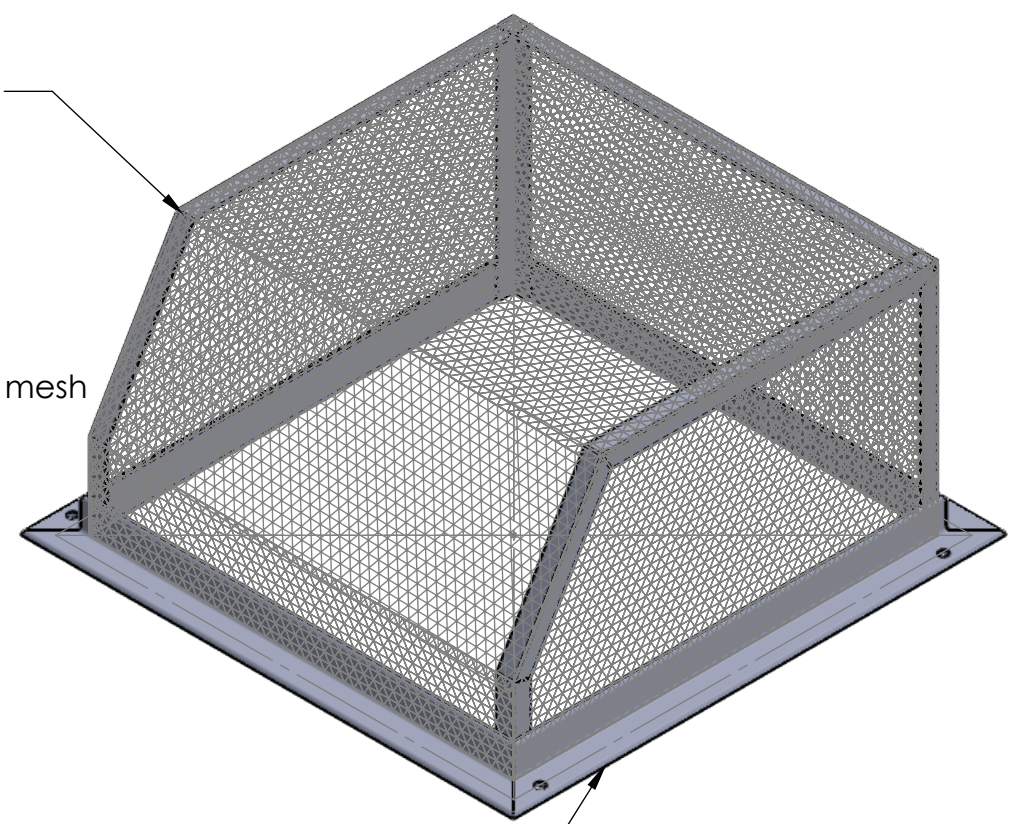
2

1



1"x1"x.188" angle upper frame

Expanded wire mesh



2"x2"x.250" angle base

Galvanized finish

B

B

A

A

**PROPRIETARY AND CONFIDENTIAL**  
 THE INFORMATION CONTAINED IN THIS DRAWING IS THE SOLE PROPERTY OF Prairie Pole Inc. ANY REPRODUCTION IN PART OR AS A WHOLE WITHOUT THE WRITTEN PERMISSION OF Prairie Pole Inc. IS PROHIBITED.

		UNLESS OTHERWISE SPECIFIED:		NAME	DATE	Prairie Pole Inc.	
		DIMENSIONS ARE IN INCHES		DRAWN	BL	TITLE:	
		TOLERANCES:		CHECKED		St Vital Wire Guard	
		FRACTIONAL ±		ENG APPR.		SIZE	DWG. NO.
		ANGULAR: MACH ± BEND ±		MFG APPR.		<b>B</b>	WG1
		TWO PLACE DECIMAL ±		Q.A.		SCALE: 1:8	WEIGHT:
		THREE PLACE DECIMAL ±		COMMENTS:			SHEET 1 OF 1
		INTERPRET GEOMETRIC TOLERANCING PER:					
		MATERIAL					
		FINISH					
NEXT ASSY	USED ON	APPLICATION		DO NOT SCALE DRAWING			

4

3

2

1