

MATERIALS

COMPOSITE SLATS:

- 89mm x 89mm COMPOSITE BOARDS
- CEDAR TONE FINISH

METAL OPTIONS:

- **BLACK POWDERCOATED** - (Metal suitably cleaned to remove any grease, wax etc. for proper paint bonding to occur. Base coat Zinc rich primer. Baked with a final thickness of paint between 5 8 mil - **Product # 52501071**)
- **GALVANIZED** - **Product # 52501071GLV**

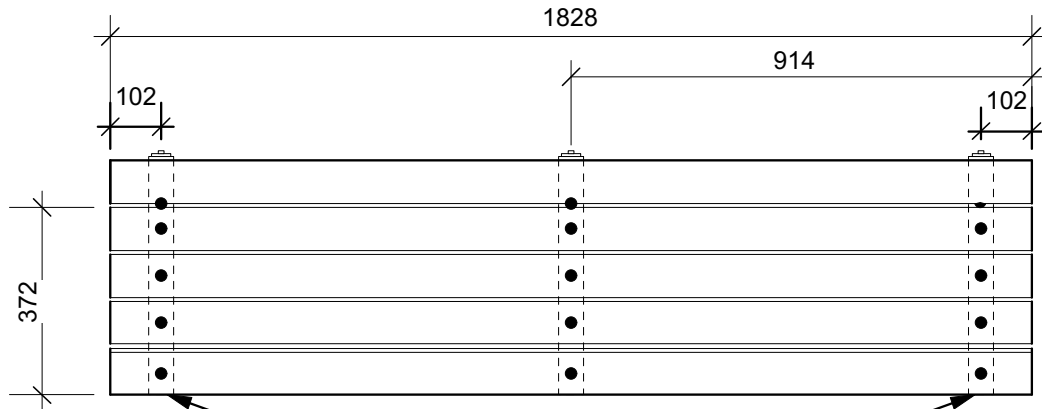
Anchor bench to concrete foundation using expansion bolts (not included)

Drawing Title:

TACHE BENCH COMPOSITE WITH ARMS surface mount

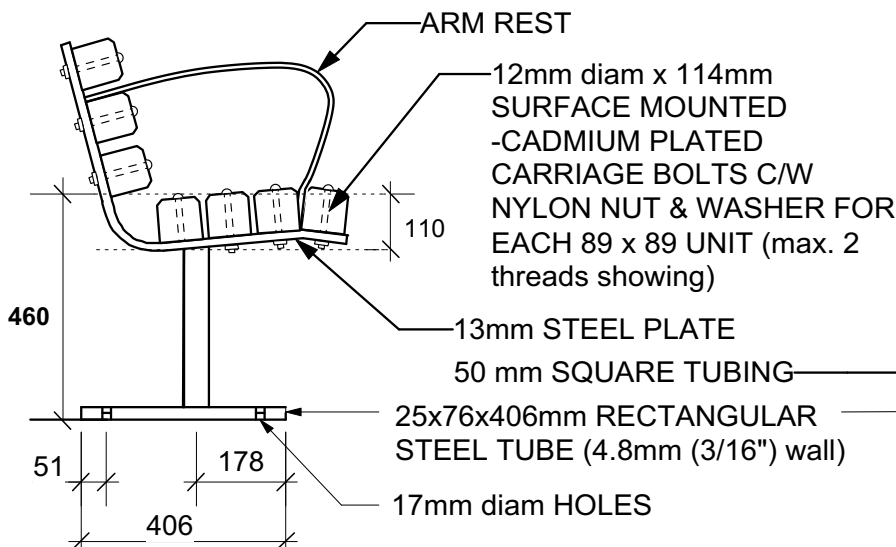
Drawing No:

SCD-121E

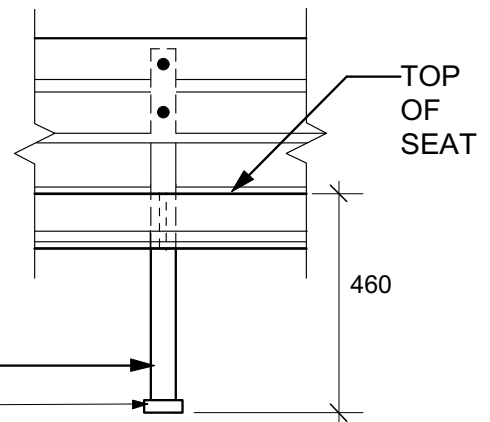


PLAN VIEW

ARM REST x 2



SIDE ELEVATION



FRONT ELEVATION

DIMENSIONS SHOWN ARE IN MILLIMETRES UNLESS OTHERWISE SPECIFIED

REVISION:

DATE: April 8, 2014
SCALE: NTS
DRAWN BY: SP

The City of Winnipeg
Planning, Property and Development Department
Planning and Land Use Division
Unit 15 - 30 Fort Street, Winnipeg, MB, R3C 4X5

