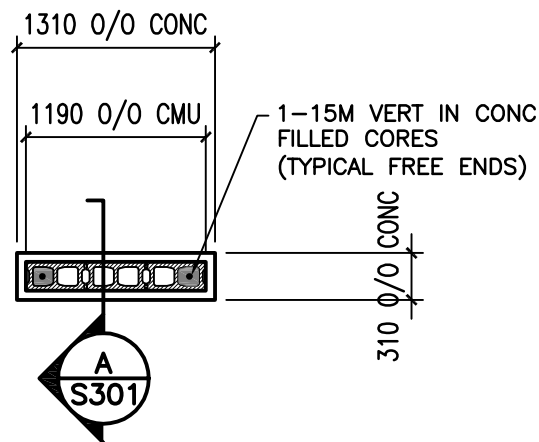
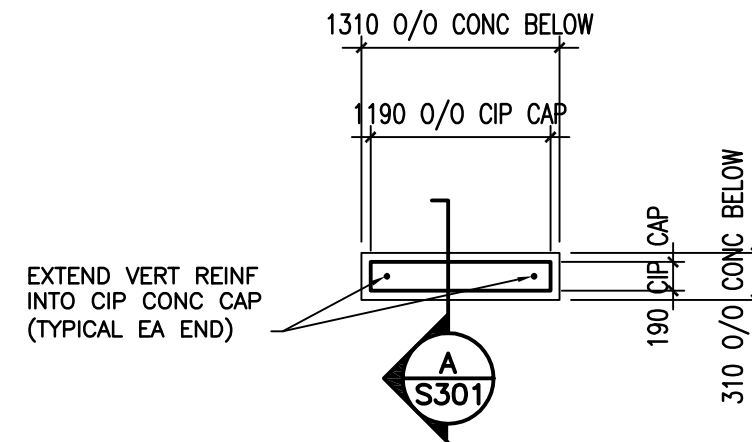


1 FOUNDATION FRAMING PLAN
S-101 1:50



2 BLOCK WALL FRAMING PLAN
S-101 1:50



3 CIP CONC CAP FRAMING PLAN
S-101 1:50

TABLE B.1
READ IN CONJUNCTION WITH DESIGN NOTES SECTION B. CAST-IN-PLACE CONCRETE

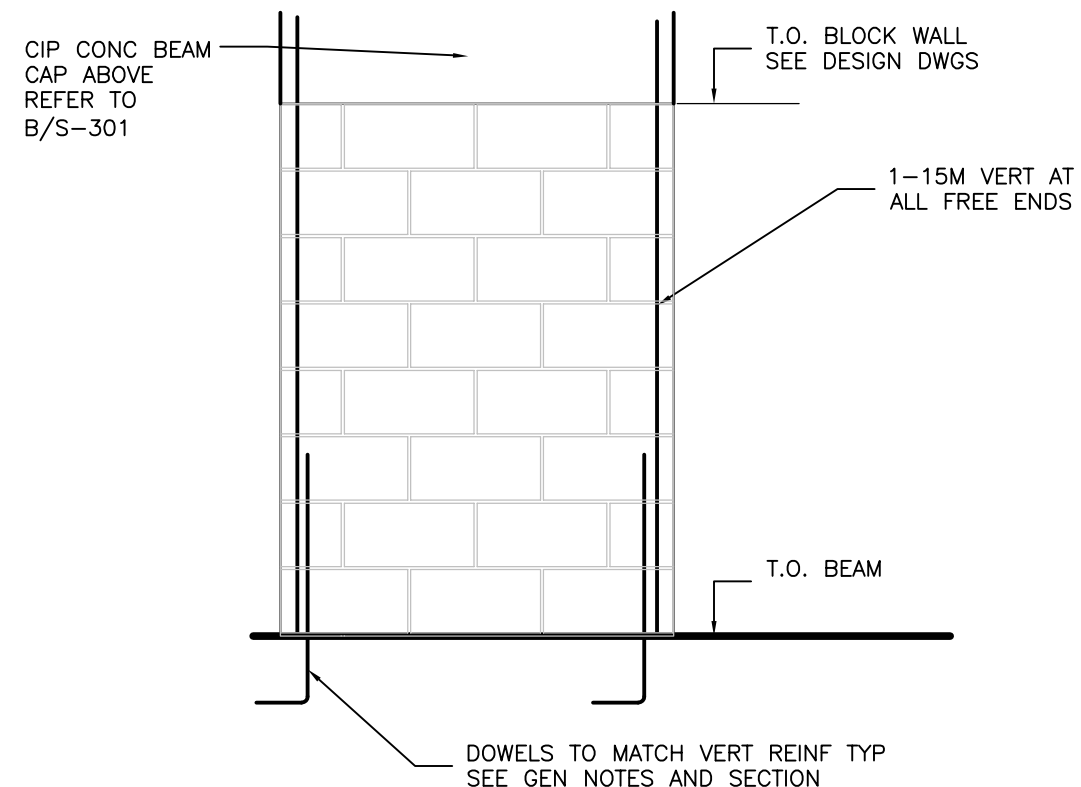
CONTROLLED CONCRETE

CONCRETE LOCATION	MAX. AGG. SIZE	STRENGTH	EXPOSURE CLASS	AIR CONTENT	CEMENT TYPE
PILES	20 mm	32 MPa	S-2	4-7%	HS/HSb
GRADE BEAMS	20 mm	35 MPa	S-1	4-7%	HS/HSb
MASONRY FILL	10-14 mm	25 MPa	N	-%	GU/GUb

TABLE B.2
READ IN CONJUNCTION WITH DESIGN NOTES SECTION B. CAST-IN-PLACE CONCRETE

CONCRETE COVER TO REINFORCEMENT

PILES	75 mm
CONC CAP / BEAMS TO STIRRUPS	40 mm



A TYPICAL REINF ELEVATION
S-101 1:20

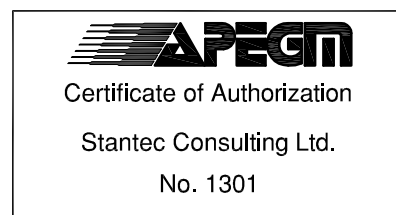
U:\1154\active\115418011\0300_drawing\0302_sheet_files\03_structural\18011_S-101.dwg S-101
2018/04/23 11:17:2 AM By: Hunter, Jacqueline

ORIGINAL SHEET - ISO 11x17 - v17.05

2018-04-12
115418011



Stantec Consulting Ltd.
Suite 500, 311 Portage Avenue
Winnipeg MB Canada R3B 2B9
Tel. 204.489.5900 Fax. 204.453.9012
www.stantec.com



1	ISSUED FOR PERMIT/CONSTRUCTION	CJU	JH/BF	18.04.23
	Issued	By	Appd.	YY.MM.DD

Client/Project
CITY OF WINNIPEG PLANNING, PROPERTY AND DEVELOPMENT
ST. VITAL PARK
ENTRANCE BEAUTIFICATION
Figure No.
S-101
Title
PLANS AND GENERAL NOTES TABLES
AND TYPICAL DETAILS FOR PARK SIGN