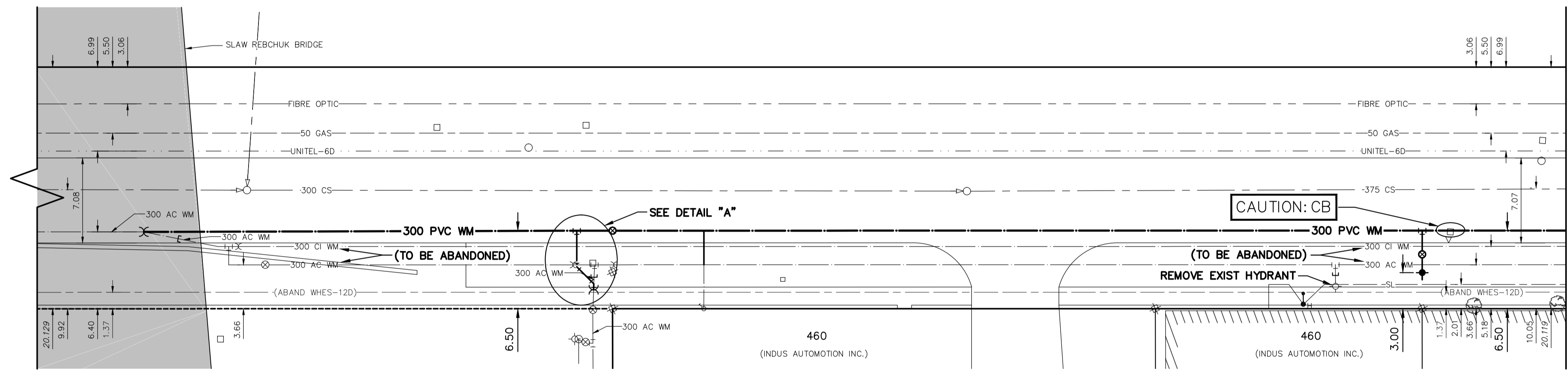
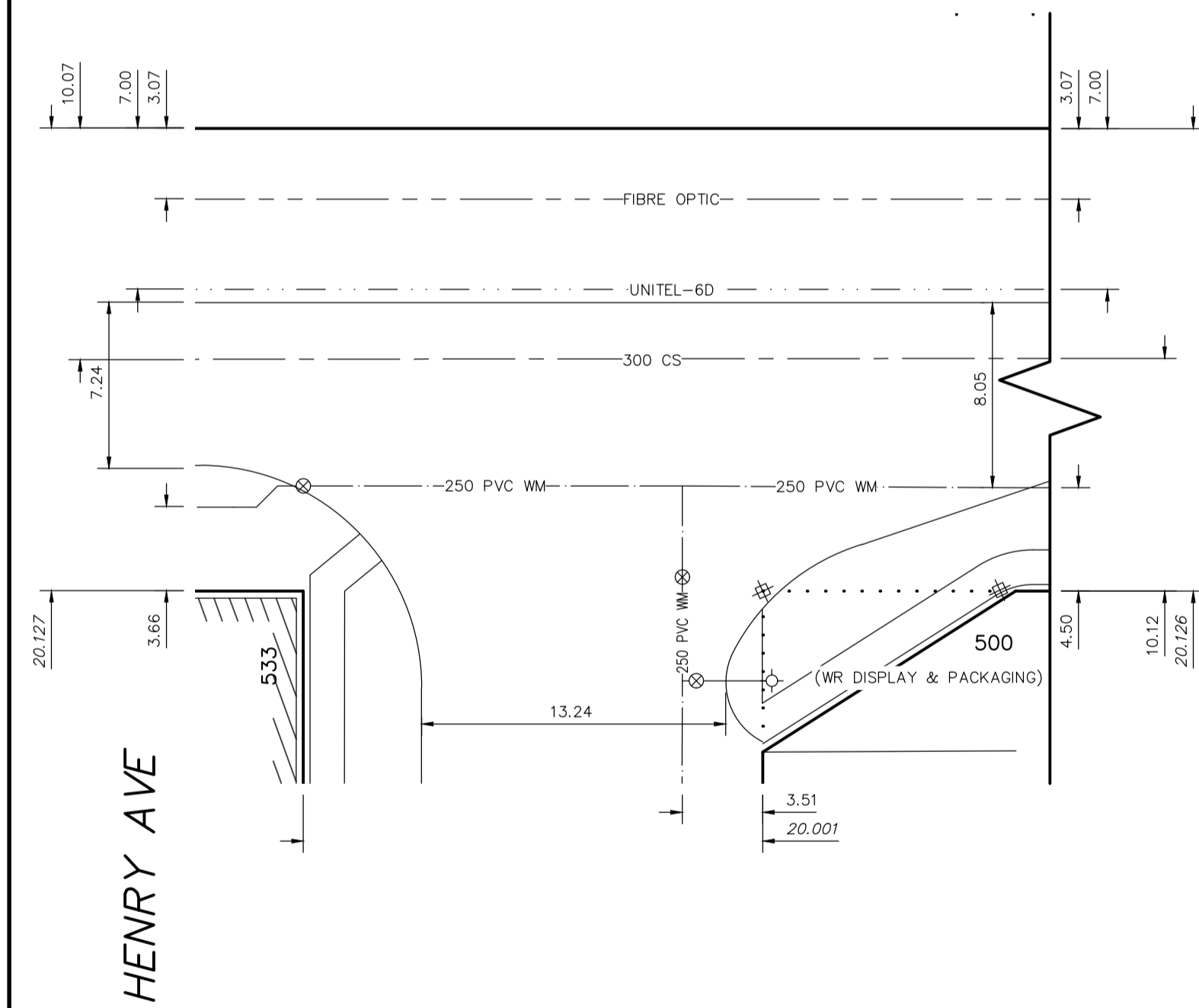
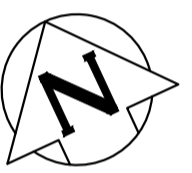
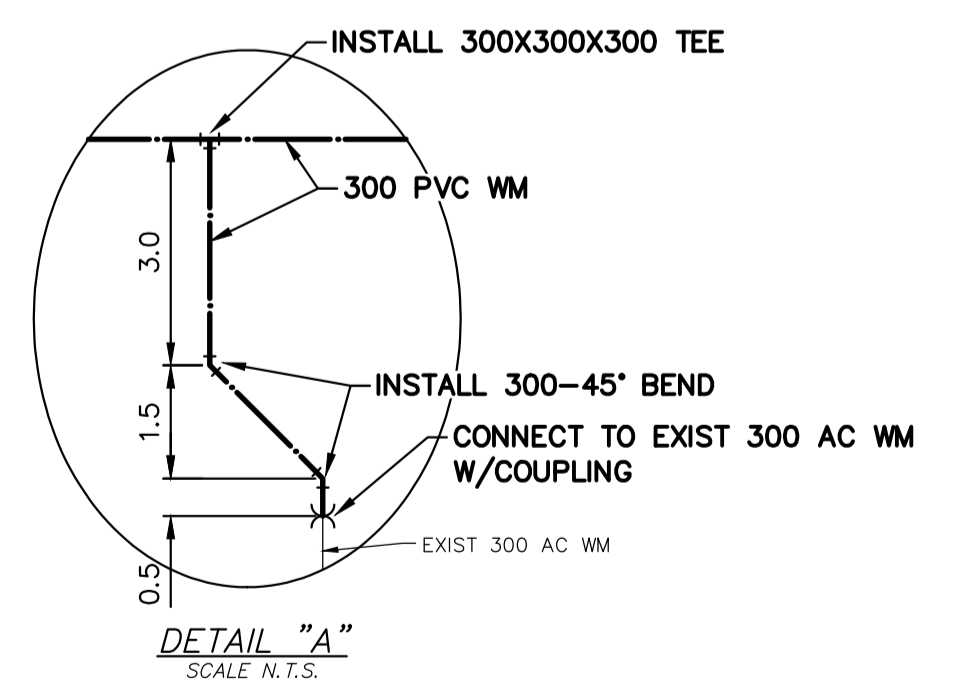


NOTE: CHAINAGES SHOWN ARE ALONG S. R. OF HIGGINS AVENUE
HIGGINS AVENUE



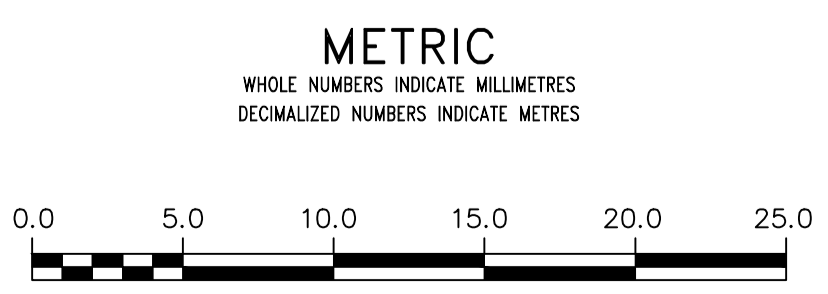
MATCHLINE 3+40.000
SEE DWG D-15118



WATER SERVICE INFORMATION					
ADDRESS	SIZE (mm) MATERIAL (STREET)	SIZE (mm) MATERIAL (PROP.)	SHORT & LONG MEASUREMENT	CORP. LOCATION	REMARKS
460 HIGGINS AVE COMMERCIAL	25 CU	20 CU	0.38 EWL HSE 167.719 EEL HENRY AVE	OPP S/C	RECONNECT SERVICE

*SERVICES TO BE RENEWED TO R. ALL OTHERS TO BE RECONNECTED

FOR INDEX SEE D-15116
NOTE: ALL VALVES TO BE INSTALLED COUNTERCLOCKWISE TO CLOSE



WARNING
IF POWER EQUIPMENT OR EXPLOSIVES ARE TO BE USED FOR EXCAVATION ON THIS PROJECT THE CONTRACTOR MUST:
1) NOTIFY THE GAS COMPANY OF THE PROPOSED LOCATION OF EXCAVATION.
2) TAKE PRECAUTION TO AVOID DAMAGE TO GAS COMPANY INSTALLATIONS.
SEE PROVINCIAL REGULATION 210/72 FOR DETAILS

LOCATION APPROVED UNDERGROUND STRUCTURES
SUPV. U/G STRUCTURES COMMITTEE DATE
NOTE:
LOCATION OF UNDERGROUND STRUCTURES AS SHOWN ARE BASED ON THE BEST INFORMATION AVAILABLE BUT NO GUARANTEE IS GIVEN THAT ALL EXISTING UTILITIES ARE SHOWN OR THAT THE GIVEN LOCATIONS ARE EXACT. CONFIRMATION OF EXISTENCE AND EXACT LOCATION OF ALL SERVICES MUST BE OBTAINED FROM THE INDIVIDUAL UTILITIES BEFORE PROCEEDING WITH CONSTRUCTION.

B.M. ELEV.	NO.	REVISIONS	DATE	BY

DESIGNED BY: MJK	CHECKED BY: SC
DRAWN BY: AJ	APPROVED BY: KZ
SCALE: HORIZONTAL 1:250 VERTICAL 1:50	RELEASED FOR CONSTRUCTION
DATE: 2018 05 10	DATE: 2018 05 10

ENGINEER'S SEAL
ORIGINAL SIGNED BY S.R.J. COURNOYER 18/05/10
CONSULTANT DRAWING NUMBER

THE CITY OF WINNIPEG
WATER AND WASTE DEPARTMENT
ENGINEERING DIVISION

2018 WATER MAIN RENEWALS
CONTRACT 3
HIGGINS AVENUE
HENRY AVENUE TO
340 E OF HENRY AVENUE

SHEET **3** OF 12
CITY DRAWING NUMBER
D-15117