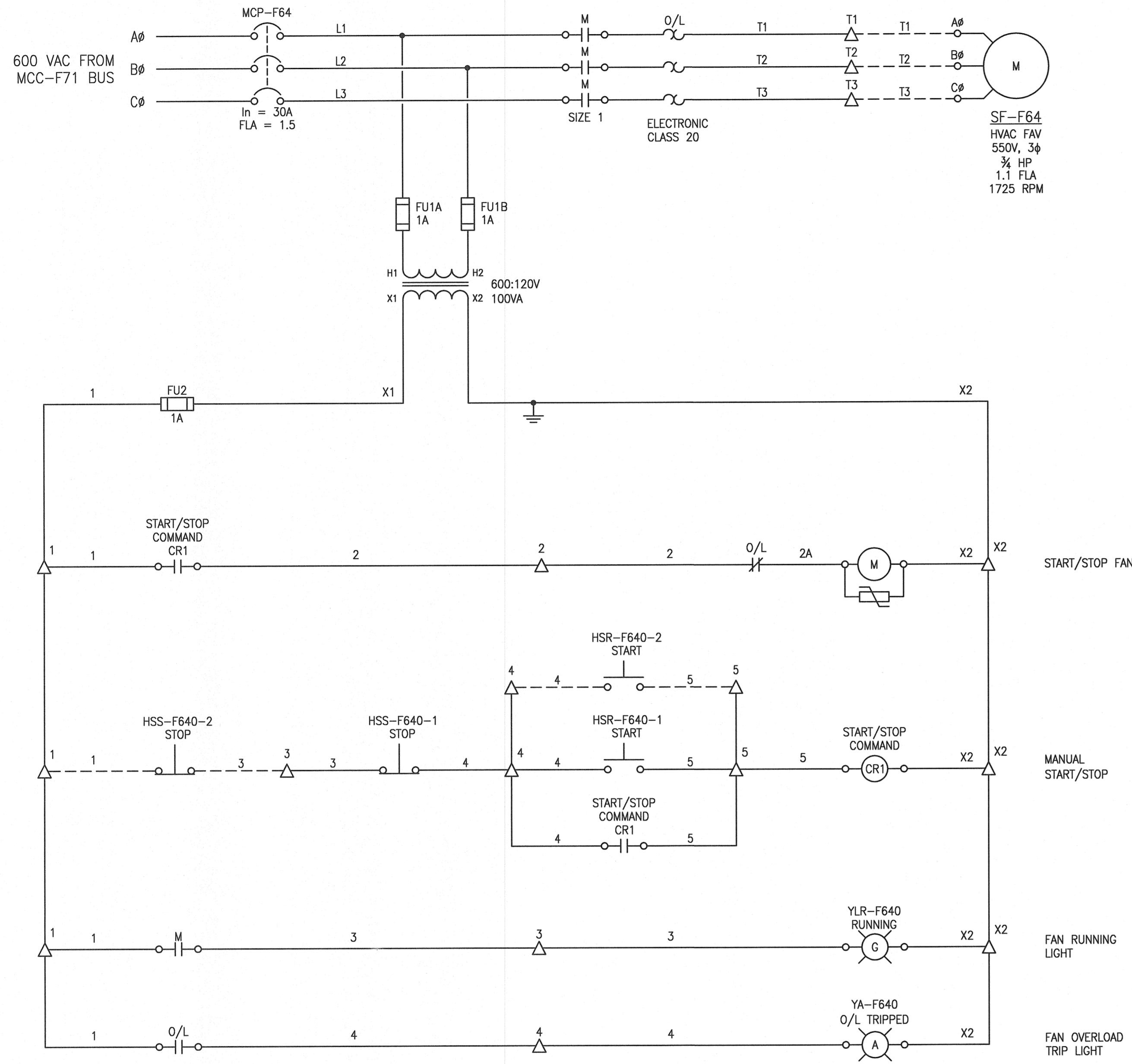
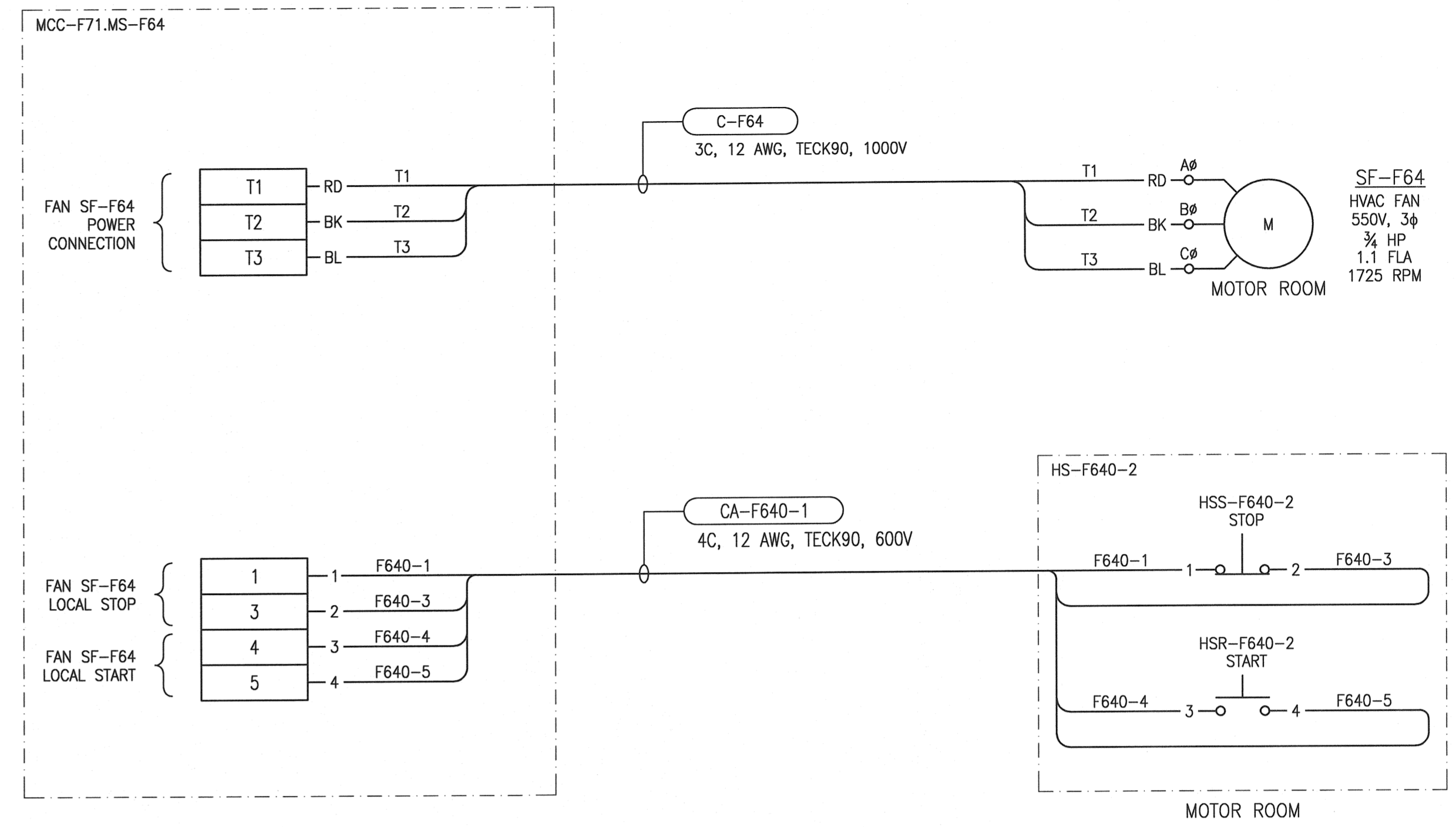


ELEMENTARY DIAGRAM:



FIELD CONNECTION DIAGRAM:



LEGEND:

—	INTERNAL WIRING
- - -	FIELD (EXTERNAL) WIRING
△	SOFT STARTER ENCLOSURE TERMINAL

LAST SAVE: 2018/12/13 - 4:29pm
 PATH: M:\657381\ENGL\47ELE\DD - General DWG\1-0179F-E0018-001.dwg

1-0179F-E0003	ELECTRICAL SINGLE LINE DIAGRAM
DRAWING NUMBER	REFERENCE DRAWINGS



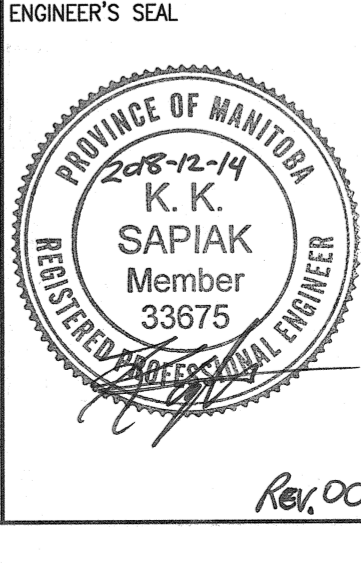
00	ISSUED FOR TENDER AND CONSTRUCTION	2018/12/14	KS	BC
NO.	REVISIONS	DATE	DESIGN	CHECK

SNC-LAVALIN

DESIGNED BY: K. SAPIAK
 DRAWN BY: K. SAPIAK
 SCALE: NTS
 DATE: 2018/08/21

CHECKED BY: B. CLEVEN
 APPROVED BY: B. CLEVEN
 ISSUED FOR CONSTRUCTION BY: K. ZUREK
 DATE: 2018/12/14

CONSULTANT NO.:



THE CITY OF WINNIPEG
 WATER AND WASTE DEPARTMENT

ROLAND FLOOD PUMPING STATION
 2019 UPGRADES
 MOTOR STARTER SCHEMATIC
 AND CONNECTION DIAGRAM
 SF-F64 HVAC FAN

CITY DRAWING NUMBER: 1-0179F-E0018
 SHEET: 001
 REV: 00
 SIZE: A1