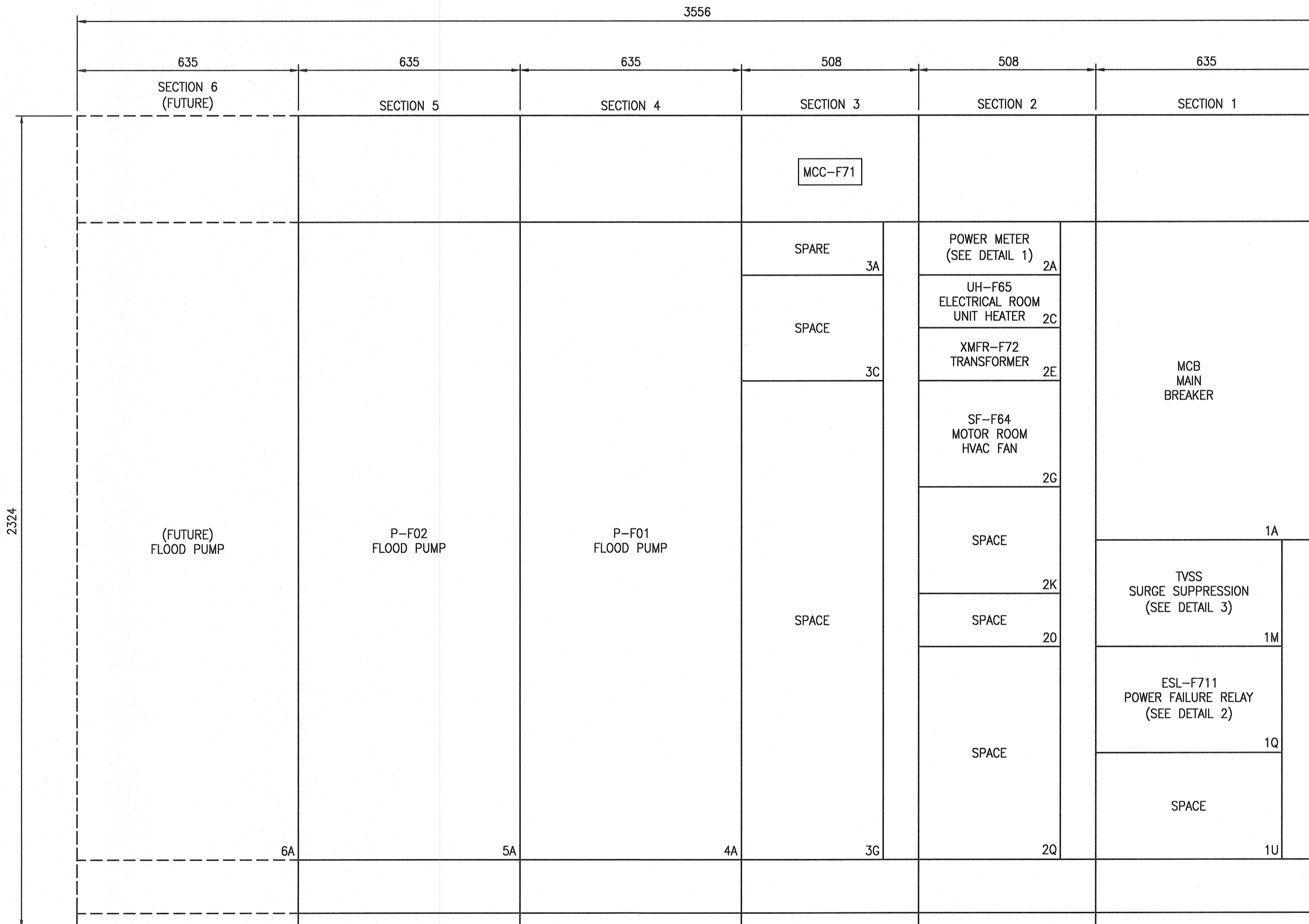


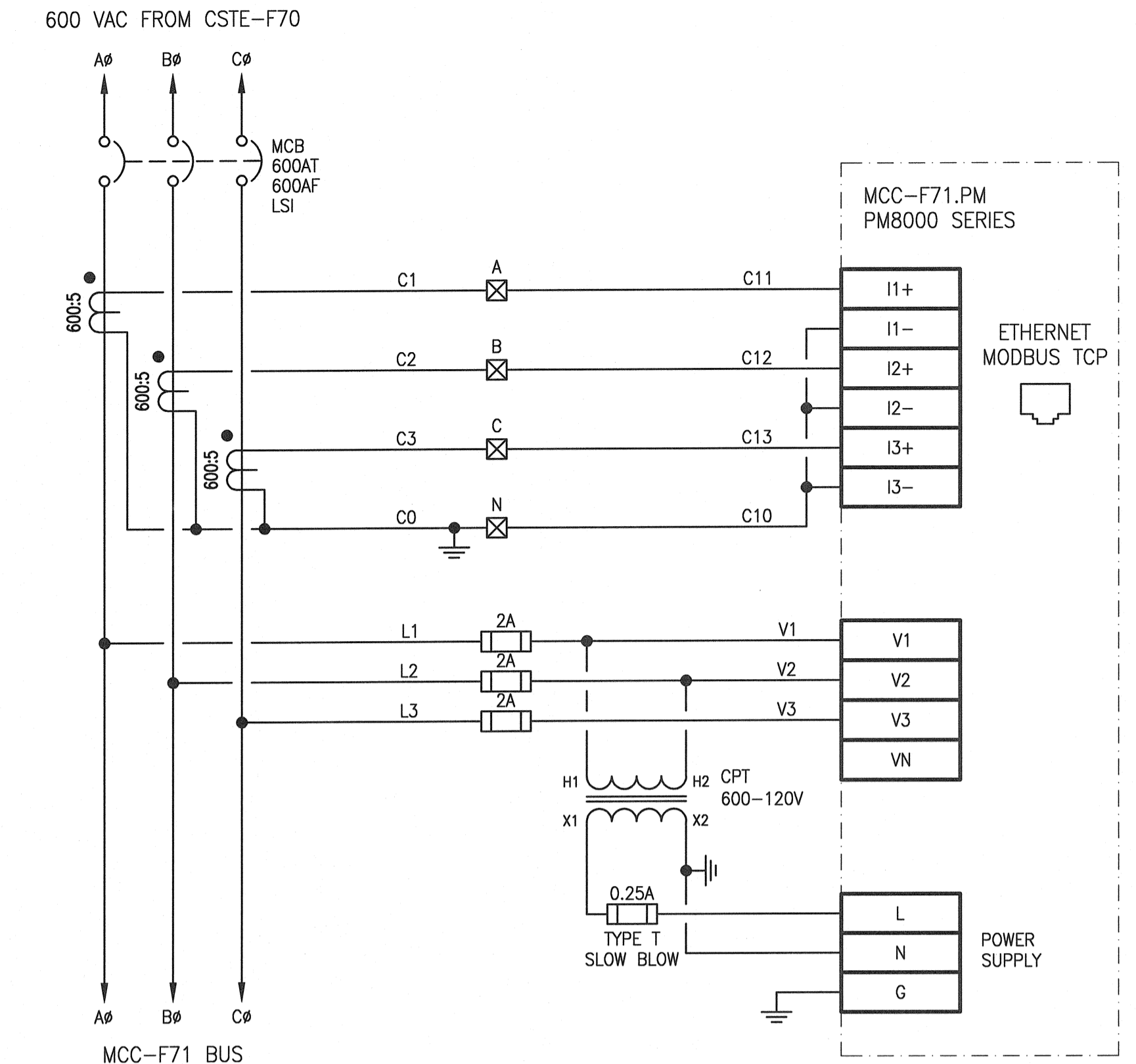
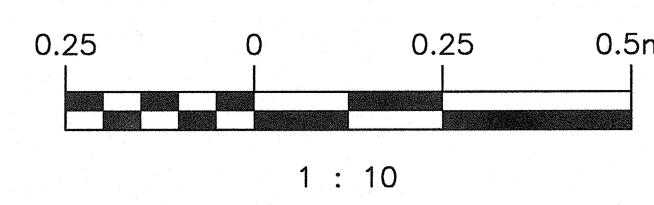
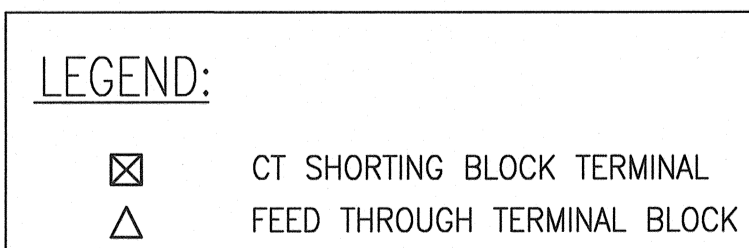
MCC REQUIREMENTS:

IDENTIFIER: MCC-F71		
ENCLOSURE TYPE: NEMA 1A	MOUNTING: FRONT	DEPTH: 508mm
SUPPLY VOLTAGE: 600V, 3Ø, 4W, 60HZ	INCOMING NEUTRAL TERMINATION: YES	
CONTROL VOLTAGE: 120V, 60HZ	WIRING: CLASS I, TYPE Bd OR Bt AS SHOWN ON THE DRAWINGS	
MINIMUM BUS RATING: 600A	HORIZONTAL: 600A	VERTICAL: 300A
SUITABLE FOR SERVICE ENTRANCE: YES	NEUTRAL BUS: YES	
BUS BRACING: 42kA	SCCR: 25 kA MINIMUM	SERIES SCCR PERMITTED: NO
BUS MATERIAL: TIN PLATED COPPER		
MANUFACTURER: SCHNEIDER ELECTRIC		MODEL: MODEL 6

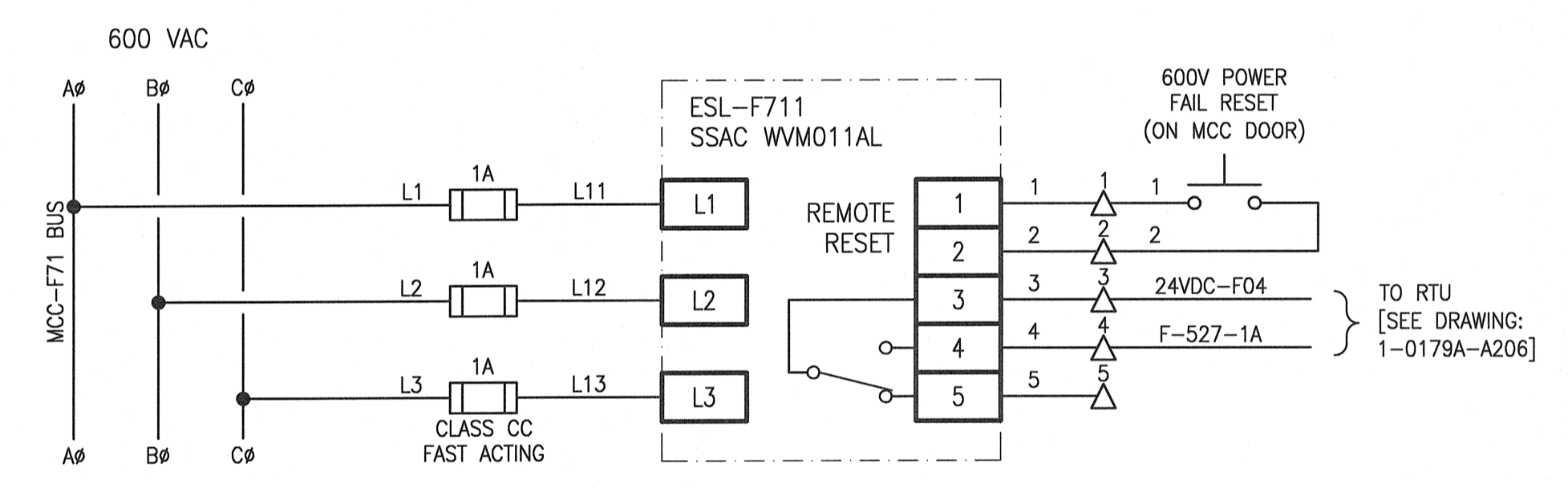


MCC-F71 ELEVATION

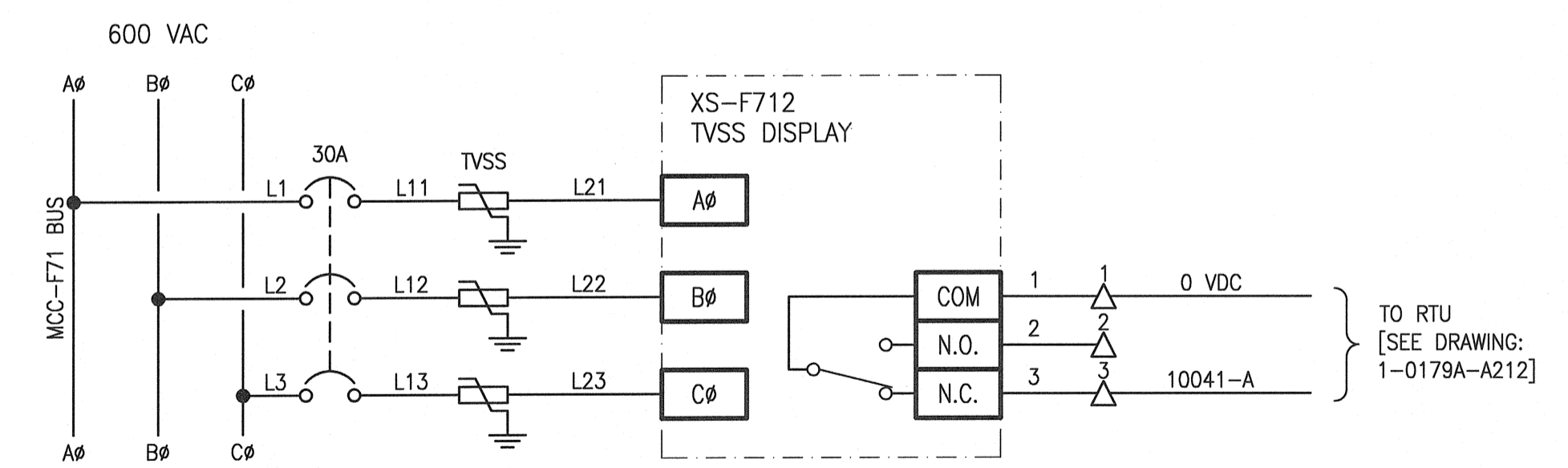
SCALE: 1 : 10



1 MCC-F71 POWER METER  
SCALE: NTS



2 ESL-F711 POWER FAILURE RELAY  
SCALE: NTS



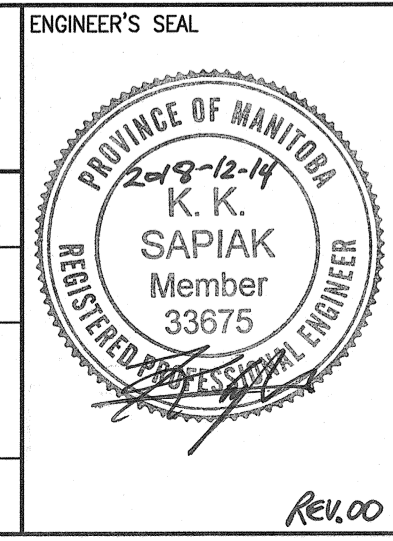
3 XS-F712 TRANSIENT VOLTAGE SURGE SUPPRESSOR  
SCALE: NTS

1-0179F-E0009	ELECTRICAL PLAN LAYOUT MAIN FLOOR CABLE TRAY
1-0179F-E0008	ELECTRICAL PLAN LAYOUT MAIN AND LOWER LEVEL FLOOR
1-0179F-E0003	ELECTRICAL SINGLE LINE DIAGRAM
DRAWING NUMBER	REFERENCE DRAWINGS

00	ISSUED FOR TENDER AND CONSTRUCTION	2018/12/14	KS	BC
NO.	REVISIONS	DATE	DESIGN	CHECK

**SNC-LAVALIN INC.**  
148 Nature Park Way  
Winnipeg, MB, Canada R3P 0X7  
204-786-8080

DESIGNED BY: K. SAPIAK  
CHECKED BY: B. CLEVEN  
DRAWN BY: C. DUBON  
APPROVED BY: B. CLEVEN  
SCALE: AS SHOWN  
ISSUED FOR CONSTRUCTION BY: K. ZUREK  
DATE: 2018/06/26  
DATE: 2018/12/14



**THE CITY OF WINNIPEG**  
WATER AND WASTE DEPARTMENT

ROLAND FLOOD PUMPING STATION  
2019 UPGRADES  
MCC ELEVATION AND DETAILS  
MCC-F71

CITY DRAWING NUMBER: 1-0179F-E0012  
SHEET: 001  
REV: 00  
SIZE: A1