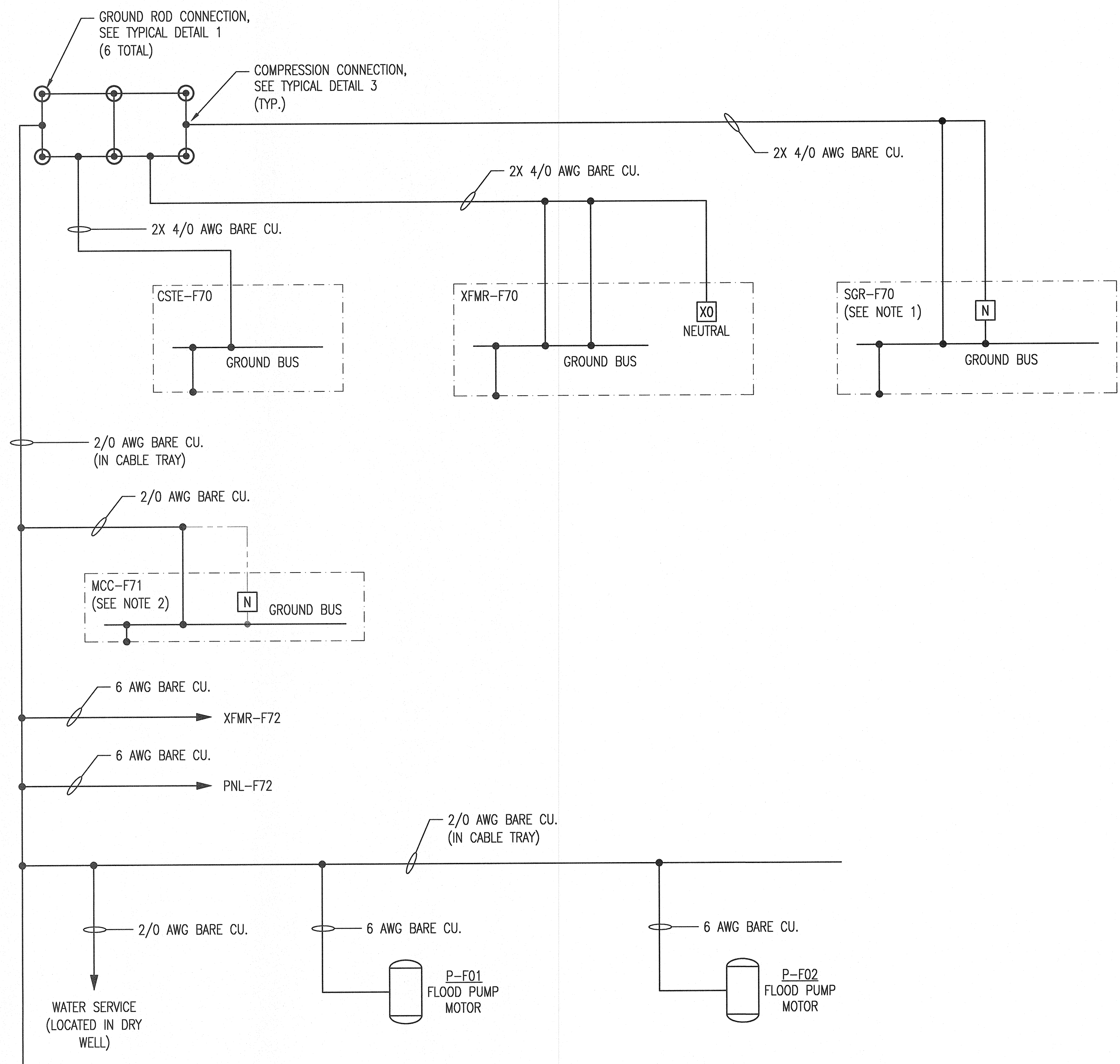
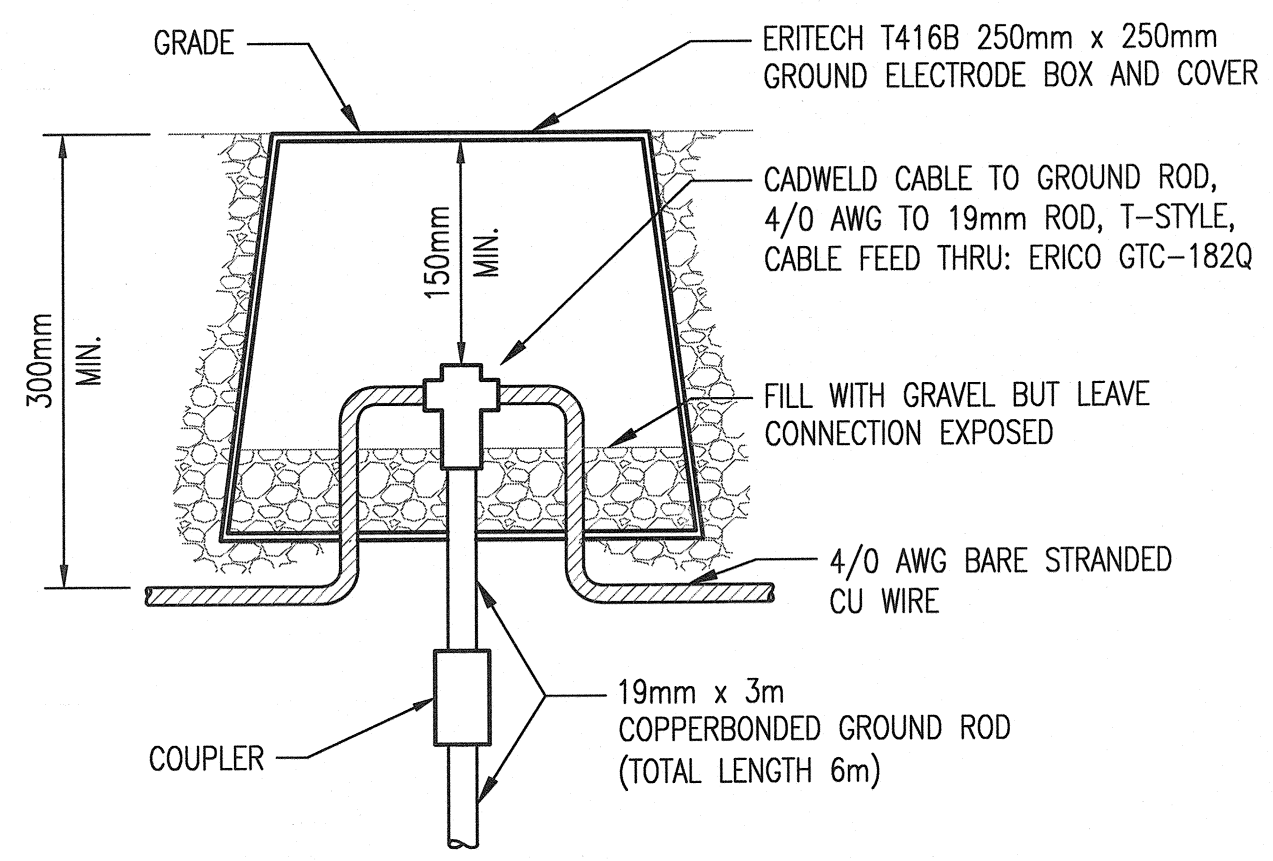


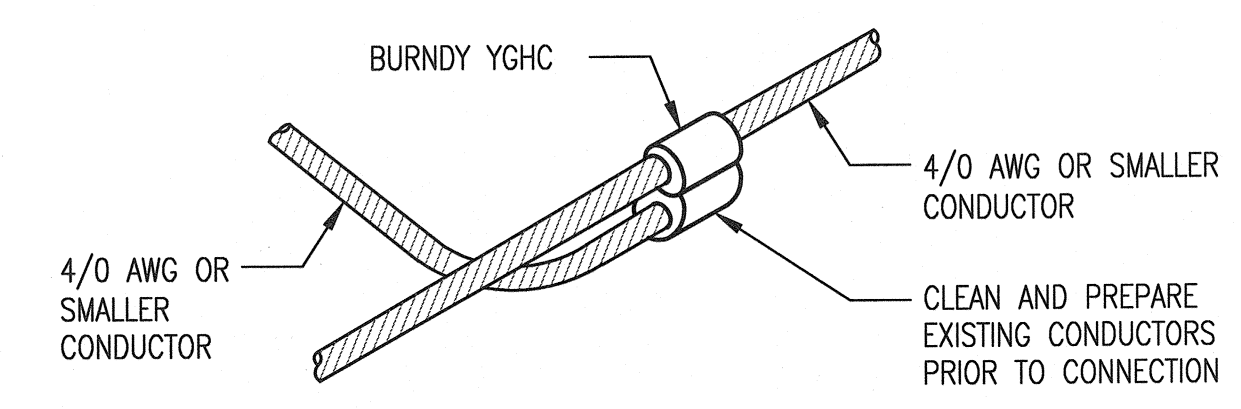
A1 SIZE - 594mm x 841mm



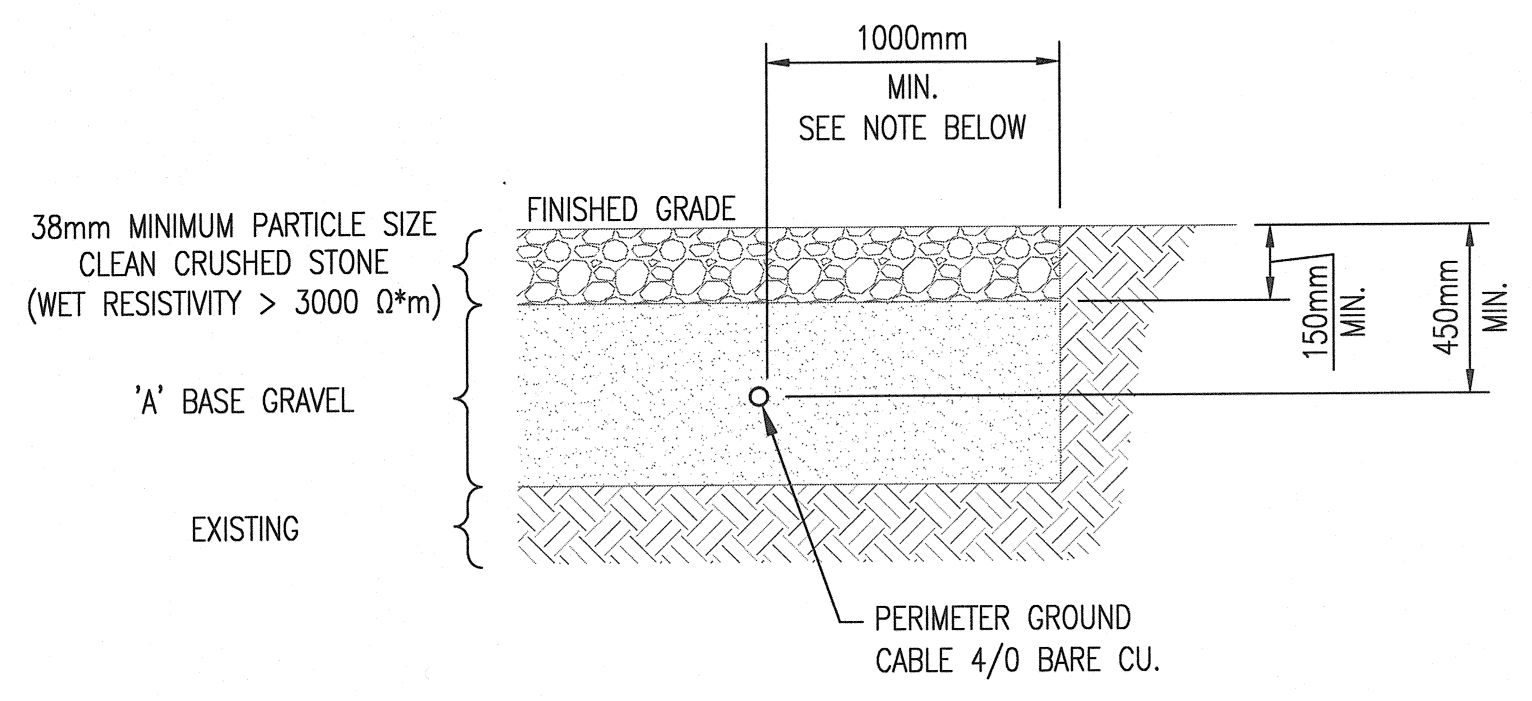
LOW VOLTAGE EQUIPMENT GROUNDING
SCALE: NTS



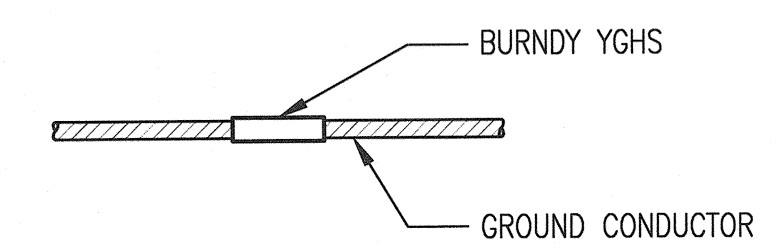
1 GROUND ROD WITH GROUND WELL
SCALE: NTS



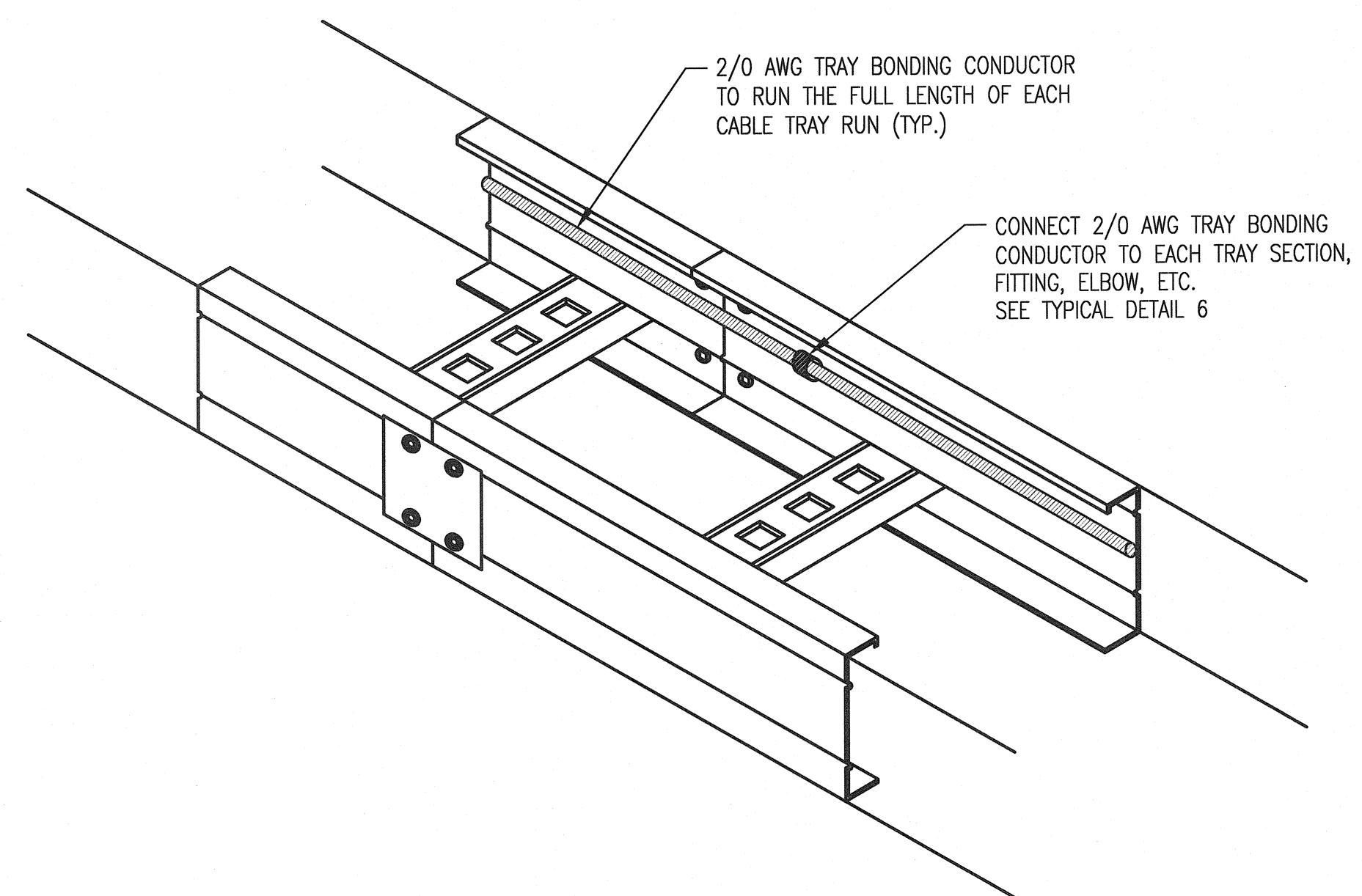
3 GROUND CONDUCTOR SPLICE
SCALE: NTS



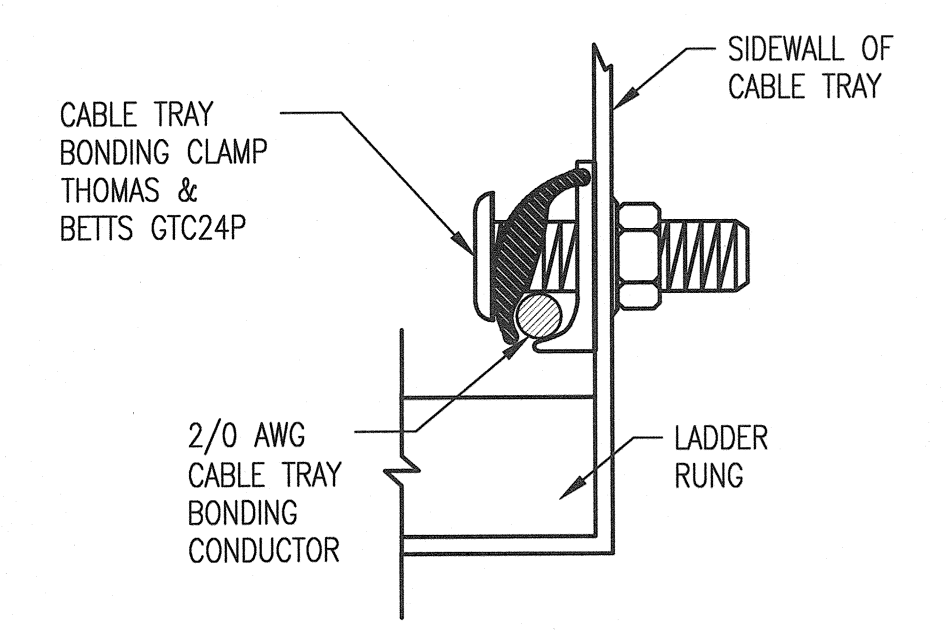
2 PERIMETER GROUND CABLE INSTALLATION
SCALE: NTS
NOTES: CRUSHED STONE AND 'A' BASE MATERIAL TO EXTEND A MINIMUM OF 1000mm PAST PERIMETER GROUND CABLE.



4 GROUND CONDUCTOR TEE
SCALE: NTS



5 CABLE TRAY BONDING CONDUCTOR
SCALE: NTS



6 CABLE TRAY BONDING CONNECTION
SCALE: NTS
(QUANTITY ONE PER TRAY SECTION)

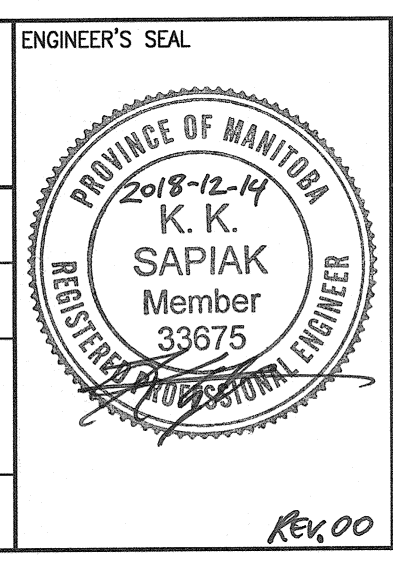
GENERAL NOTES:

- FOLLOWING TRANSFER OF OWNERSHIP OF 5KV SWITCHGEAR SGR-F70 AND TRANSFORMER XFMR-F70 TO MANITOBA HYDRO, THE FACTORY-INSTALLED NEUTRAL-GROUND LINK IN SGR-F70 IS TO BE REMOVED.
- FOLLOWING TRANSFER OF OWNERSHIP OF 5KV SWITCHGEAR SGR-F70 AND TRANSFORMER XFMR-F70 TO MANITOBA HYDRO, THE INCOMING GROUND TO MCC-F71 SHALL BE DISCONNECTED FROM THE GROUND TERMINAL AND CONNECTED TO THE NEUTRAL TERMINAL AND A NEW NEUTRAL-GROUND LINK SHALL BE INSTALLED.



NO.	REVISIONS	DATE	DESIGN	CHECK
00	ISSUED FOR TENDER AND CONSTRUCTION	2018/12/14	KS	BC

<p>SNC-LAVALIN INC. 148 Nature Park Way Winnipeg, MB, Canada R3P 0X7 204-786-8080</p>	
DESIGNED BY: K. SAPIAK	CHECKED BY: B. CLEVEN
DRAWN BY: K. SAPIAK	APPROVED BY: B. CLEVEN
SCALE: NTS	ISSUED FOR CONSTRUCTION BY: K. ZUREK DATE: 2018/12/14
DATE: 2018/07/23	DATE: 2018/12/14
CONSULTANT NO.:	



THE CITY OF WINNIPEG
WATER AND WASTE DEPARTMENT

ROLAND FLOOD PUMPING STATION
2019 UPGRADES
GROUNDING INSTALLATION DETAILS

CITY DRAWING NUMBER
1-0179F-E0011

SHEET
001

REV.
00

SIZE
A1

1-0179F-E0011-001.dwg

LAST SAVE: 2018/12/13 - 4:14pm
PATH: M:\657381\ENCS\7ELE\DD - General DWG\1-0179F-E0011-001.dwg

DRAWING NUMBER	REFERENCE DRAWINGS
1-0179F-E0009	ELECTRICAL PLAN LAYOUT MAIN FLOOR CABLE TRAY
1-0179F-E0008	ELECTRICAL PLAN LAYOUT MAIN AND LOWER LEVEL FLOOR
1-0179F-E0005	ELECTRICAL INSTALLATION DETAILS SERVICE EQUIPMENT
1-0179F-E0004	ELECTRICAL SITE PLAN