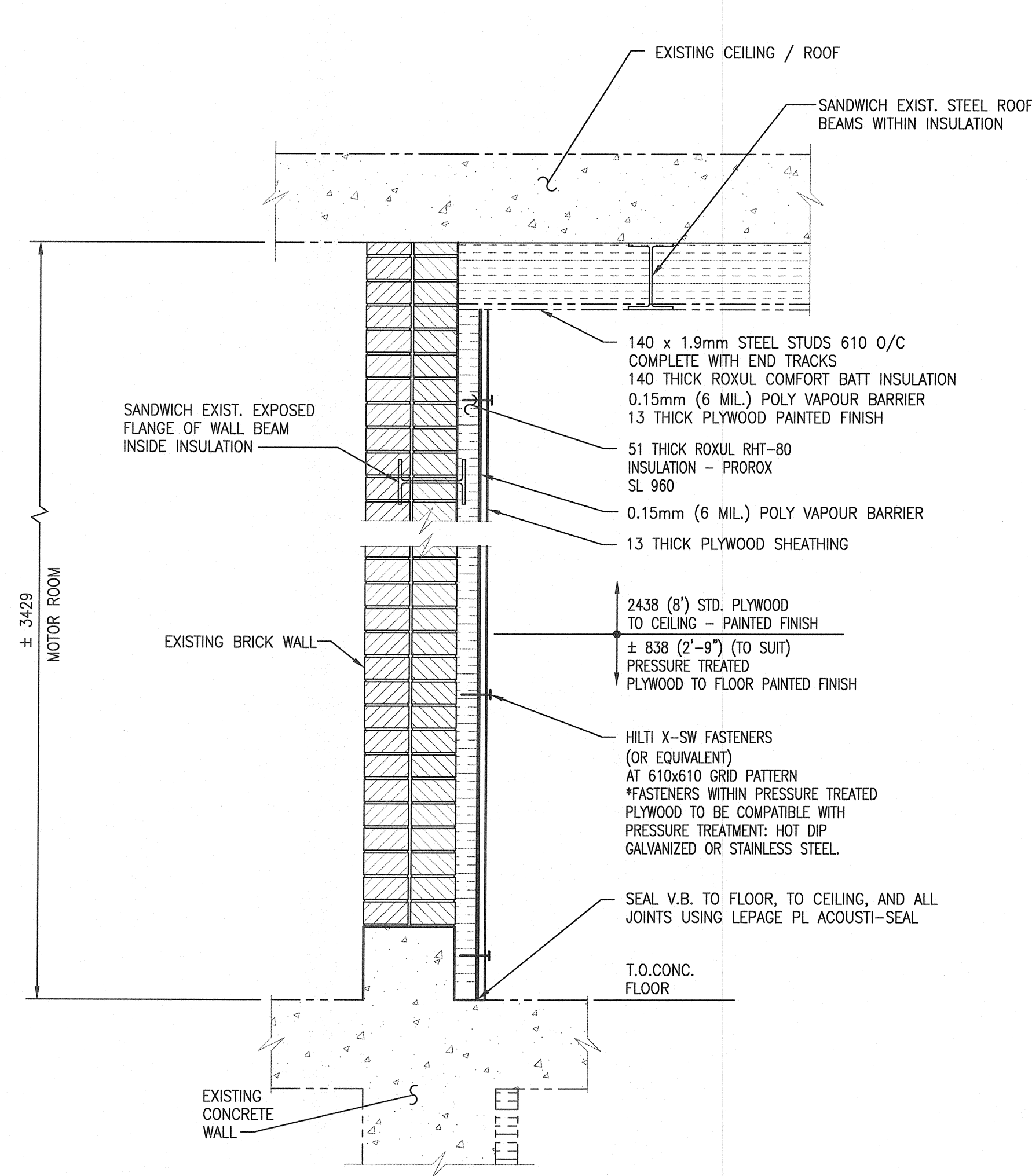
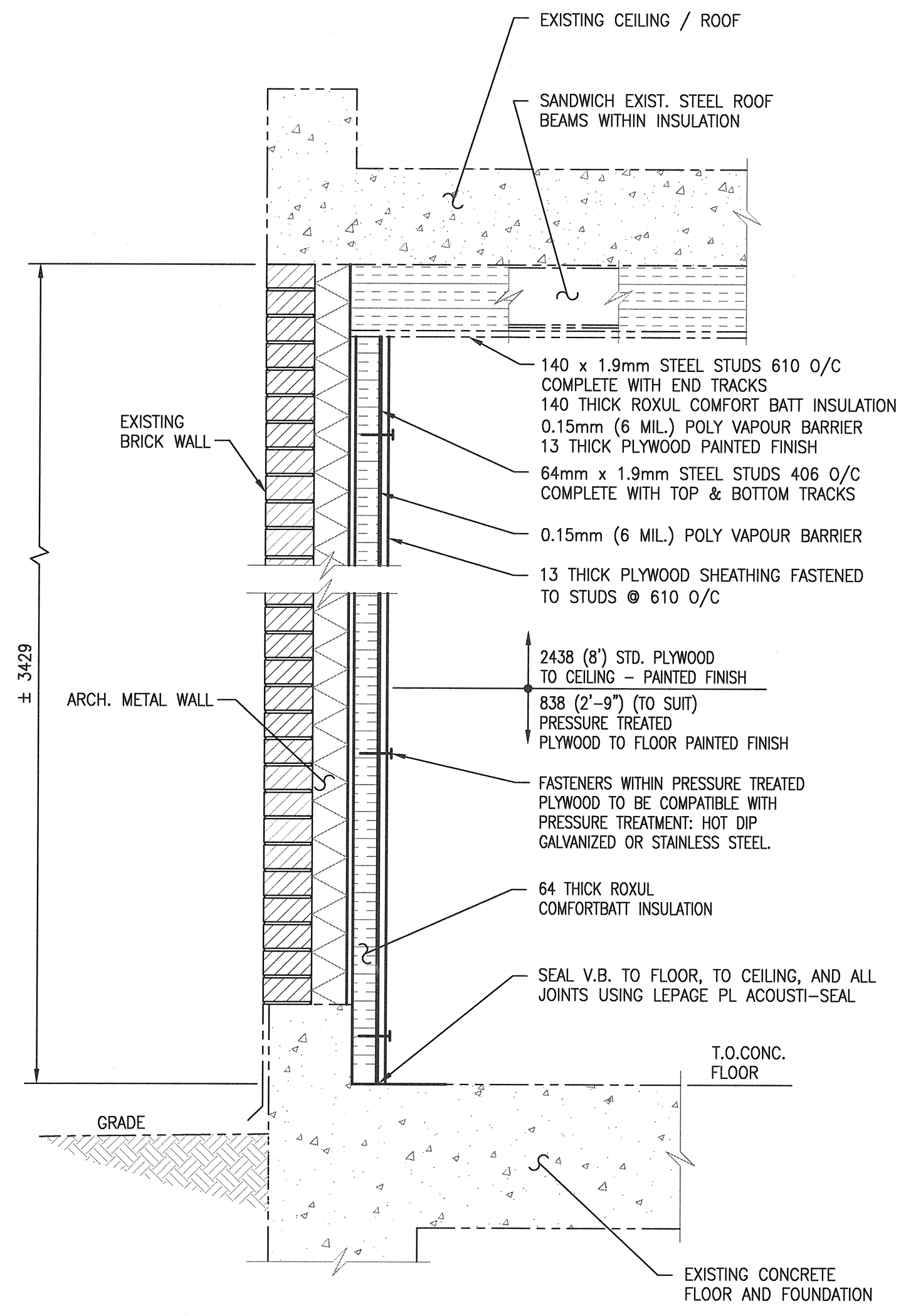


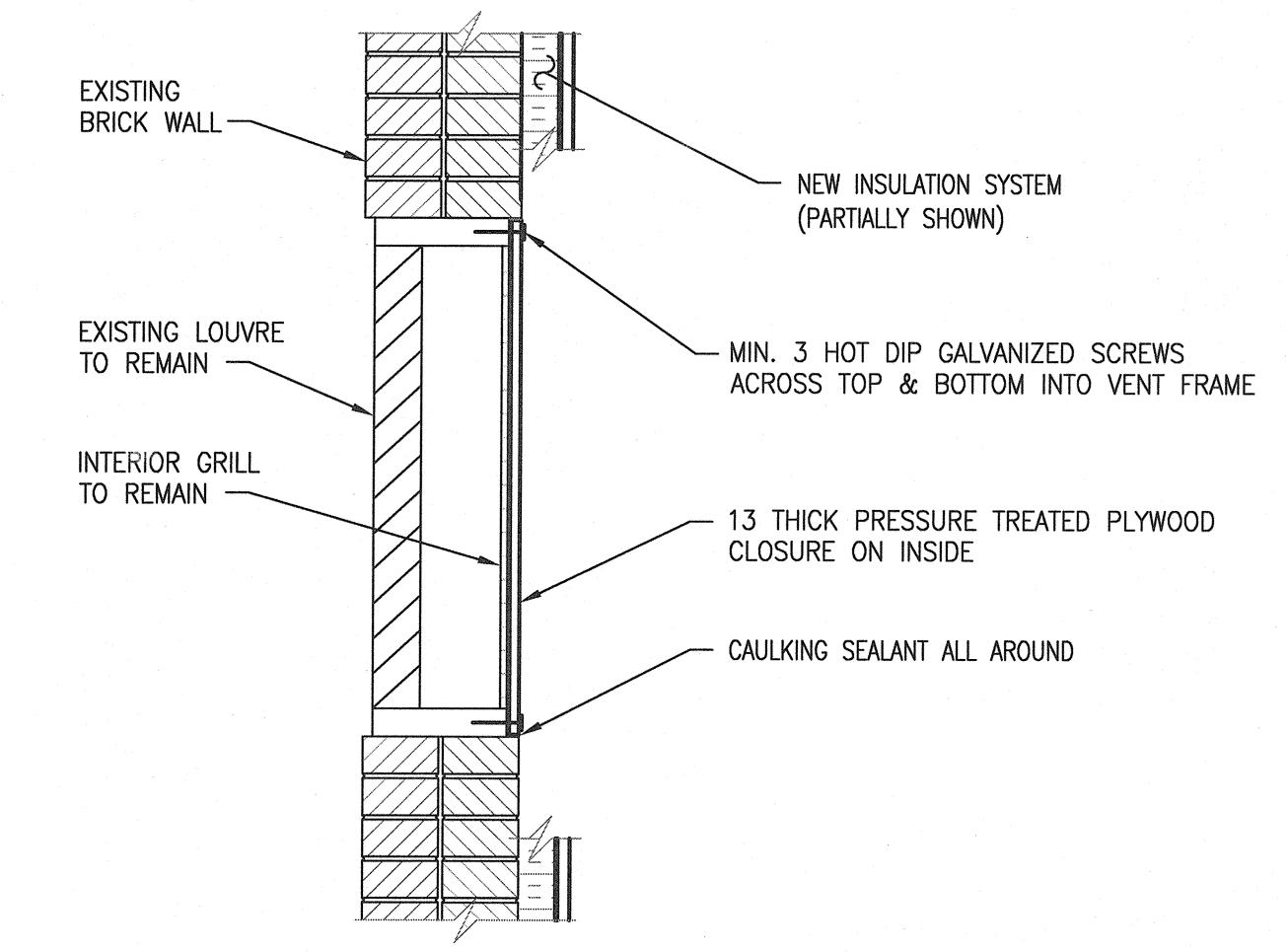
NOTE:  
1. REFER TO DRAWING 1-0179F-B0001 FOR GENERAL NOTES.



**A** SECTION  
SCALE: N.T.S.



**B** SECTION  
SCALE: N.T.S.



**1** DETAIL  
SCALE: N.T.S.

LAST SAVE: 2018/12/14 - 11:24am  
PATH: M:\657381\ENGIN\251R\DD - General DWG\1-0179F-B0002-001-00.dwg

1-0179F-B0001	ARCHITECTURAL PLAN, NEW WORK
DRAWING NUMBER	REFERENCE DRAWINGS



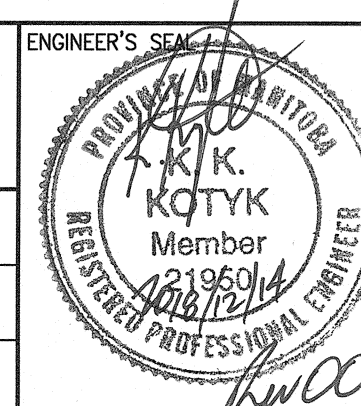
00	ISSUED FOR TENDER AND CONSTRUCTION	2018/12/14	KK	RD
NO.	REVISIONS	DATE	DESIGN	CHECK

**SNC-LAVALIN INC.**  
148 Nations Park Way  
Winnipeg, MB, Canada R3P 0X7  
204-786-8080

DESIGNED BY: K. KOTYK  
DRAWN BY: W. LOPEZ  
SCALE: N.T.S.  
DATE: 2018/07/16

CHECKED BY: R. DIONISIO  
APPROVED BY: B. CLEVEN  
ISSUED FOR CONSTRUCTION BY: K. ZUREK  
DATE: 2018/12/14

CONSULTANT NO.:



**THE CITY OF WINNIPEG**  
WATER AND WASTE DEPARTMENT

ROLAND FLOOD PUMPING STATION  
2019 UPGRADES  
ARCHITECTURAL SECTIONS  
NEW WORK

CITY DRAWING NUMBER	SHEET	REV.	SIZE
1-0179F-B0002	001	00	A1