

©EuroCraft

OFFICE FURNISHINGS

847 MARION ST. WINNIPEG MB
Tel(204)233-5422 Fax(204)237-4948

CUST: *CITY OF WINNIPEG*

WO# *TENDER G-R4* PO# ******

TAG: ******

RM: *MANAGER OFFICE*

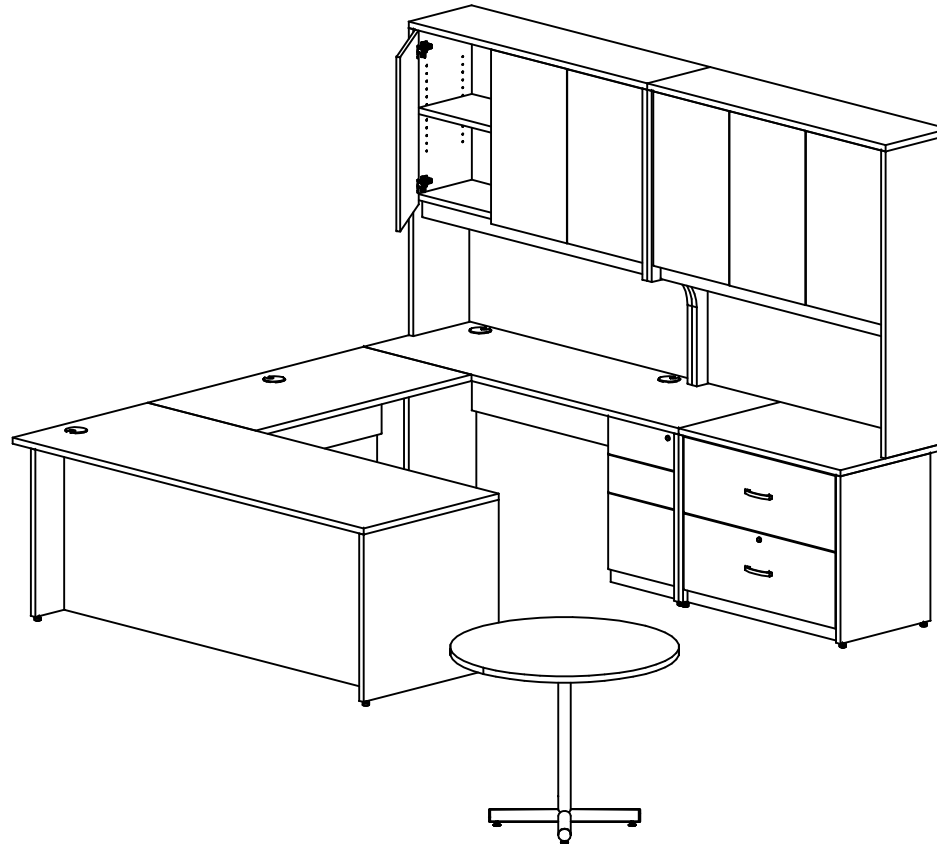
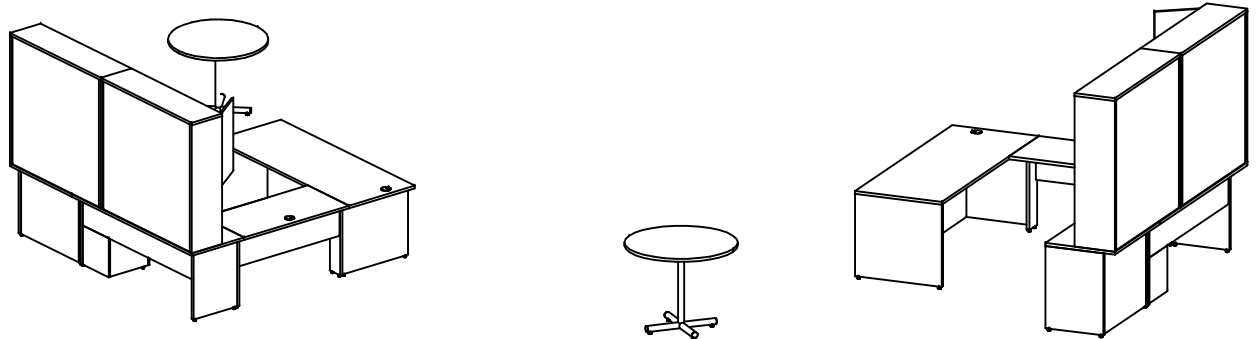
DATE: *FEB. 4/19* DRAWN BY: *R/K*

NOTES:

- *CHOCOLATE PEAR*
- *NICKEL BRIDGE PULL HANDLES*

- *HUTCH TO BE SECURELY FASTENED TO WORKSURFACE BY INSTALLER*

- *TACKBOARD FABRIC: HEAVENLY #37 SAPPHIRE*



DWG. A-1.5