

**EuroCraft**

OFFICE FURNISHINGS

847 MARION ST. WINNIPEG MB  
Tel(204)233-5422 Fax(204)237-4948

CUST: CITY OF WINNIPEG

WO# TENDER H-R3 PO# \*\*\*\*

TAG: EMO DESK

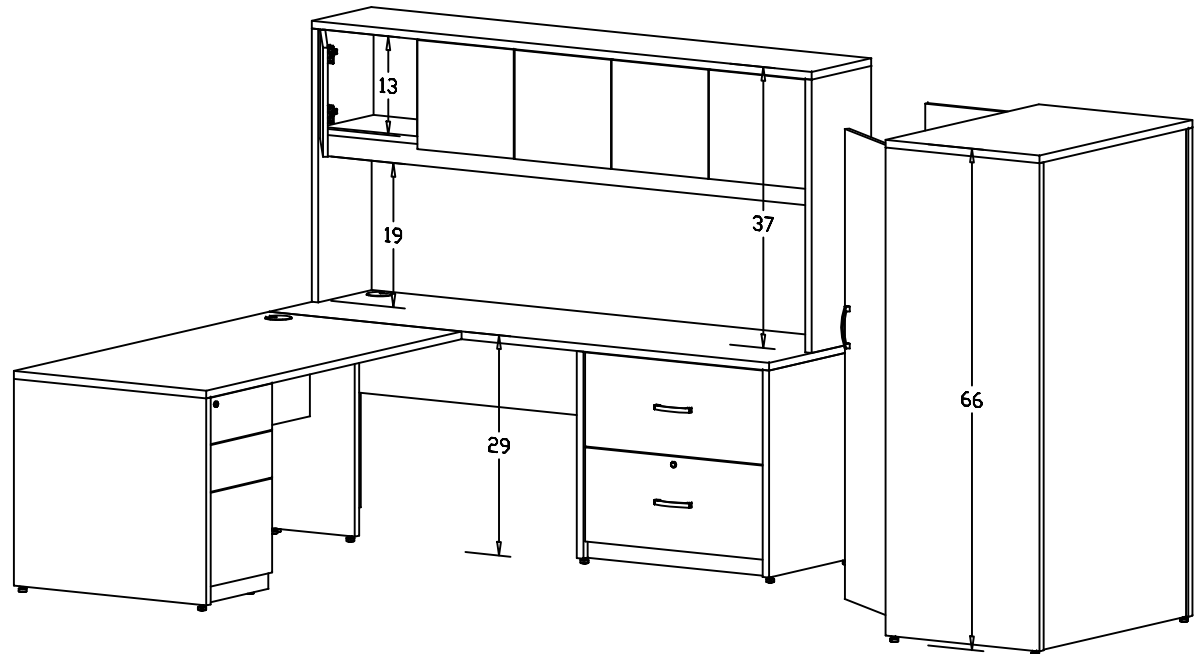
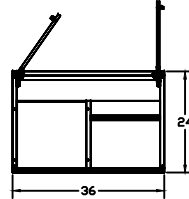
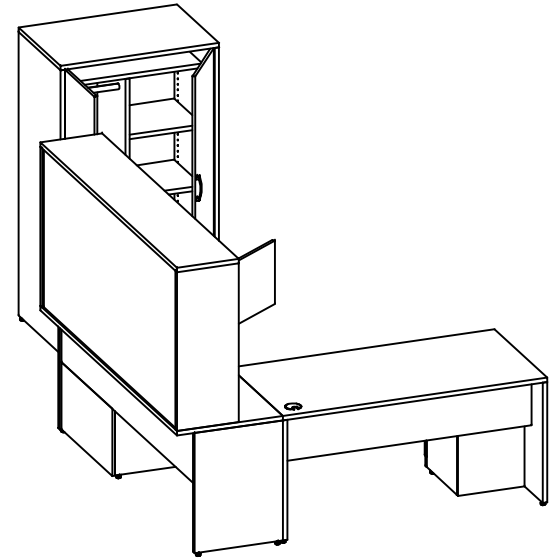
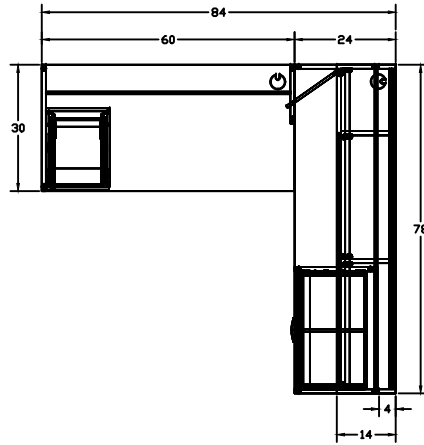
RM: \*\*\*\*

DATE: FEB. 4/19

DRAWN BY: R/K

**NOTES:**

- CHOCOLATE PEAR
- NICKEL BRIDGE PULL HANDLES
  
- HUTCH TO BE SECURELY FASTENED TO WORKSURFACE BY INSTALLER
  
- TACKBOARD FABRIC: HEAVENLY #37 SAPPHIRE



DWG. A-1.3