

### SYMBOL LEGEND

	POLE MOUNTED LIGHT FIXTURES (8 HEADS PER FIXTURE)
	SURGE PROTECTION DEVICE
	ELECTRICAL COMPONENT ENCLOSURE
	DISCONNECT
	DISTRIBUTION PANEL
	WEATHER PROOF

\* PLEASE NOTE \*

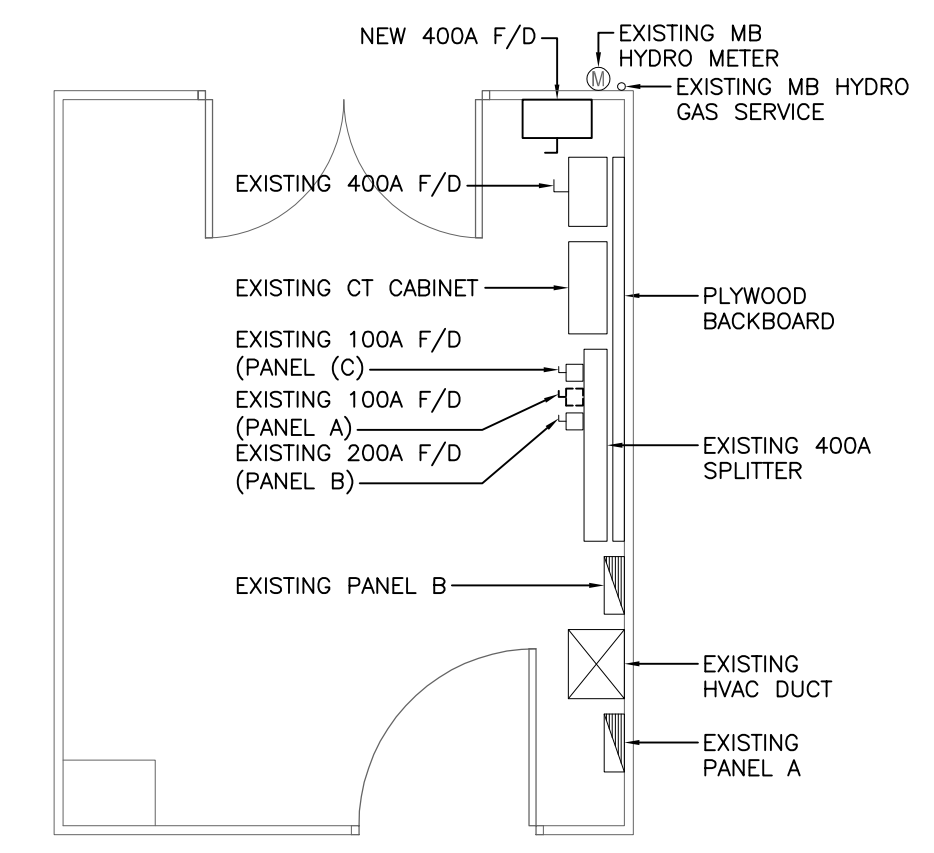
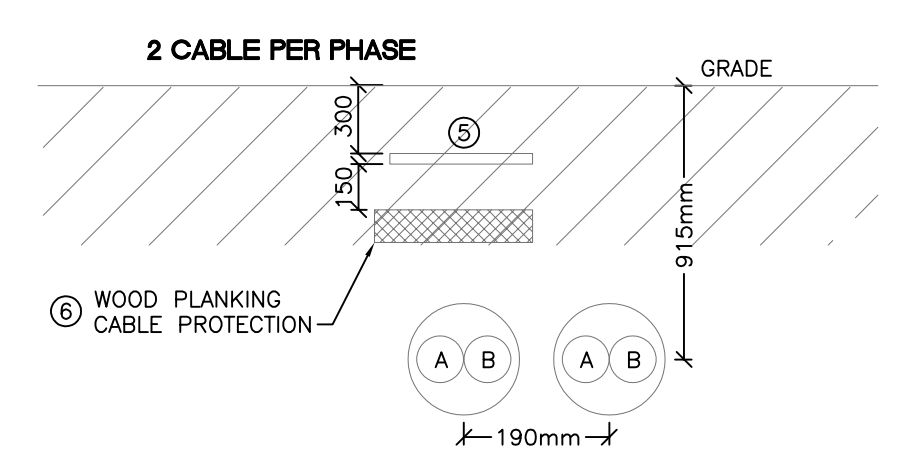
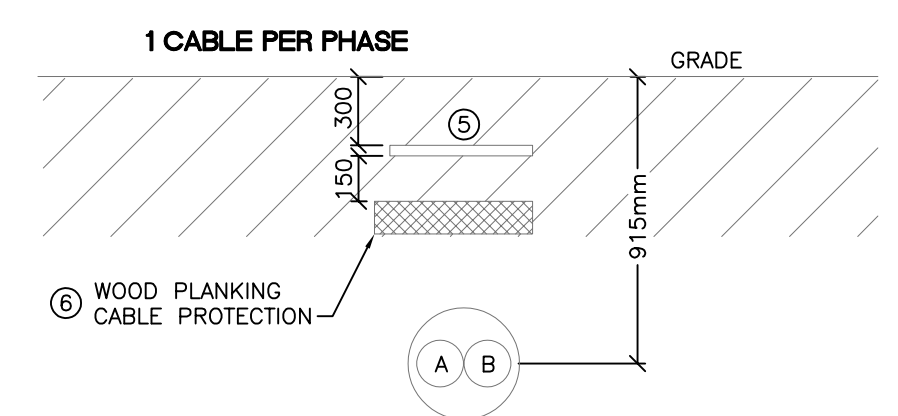
ALL EQUIPMENT SHOWN "FADED BACK" IS EXISTING TO REMAIN UNLESS OTHERWISE NOTED.

ALL EQUIPMENT SHOWN "DASHED" IS EXISTING TO BE DEMOLISHED UNLESS OTHERWISE NOTED.

ALL EQUIPMENT SHOWN "SOLID" IS NEW TO BE INSTALLED UNLESS OTHERWISE NOTED.

### KEY NOTES

- CABLES TO SOCCER PITCH DISTRIBUTION PANEL TO LEAVE SPLITTER AT HIGH LEVEL AND EXIT BUILDING ON THE WEST SIDE AS SHOWN. MECHANICALLY PROTECT CABLES ALONG OUTSIDE WALL WITH STEEL FLASHING.
- GROUND ALL POLES ACCORDING TO C22.1 NO.41
- INSTALL ELECTRICAL COMPONENT ENCLOSURE 10' ABOVE GRADE.
- INSTALL CONCRETE PAD FOR SOCCER PITCH DISTRIBUTION PANEL, CONTROL AND MONITORING SYSTEM. PROVIDE NECESSARY SUPPORTS TO VERTICALLY MOUNT NEW PANEL.
- SUPPLY AND INSTALL FOR ENTIRE LENGTH OF TRENCH THOMAS AND BETTS # NA-0700, 152mm WIDE UTILITY TAPE WITH WORDS "ELECTRICAL LINE" PRINTED BLACK COLOR ON A RED BACKGROUND.
- CABLE PROTECTION OVER CABLE TO BE PRESSURE TREATED WITH PENTACHLOROPHENOL PLANKING TO BE 50mm X 305mm.



### GENERAL NOTES

- CONTRACTOR TO VISIT SITE DURING BID AND VERIFY ALL EXISTING SERVICES ON SITE PRIOR TO SUBMITTING BID. REPORT ANY DISCREPANCIES TO CONTRACT ADMINISTRATOR DURING BID PERIOD.
- CONTRACTOR SHALL ENSURE COORDINATION BETWEEN ALL TRADES AND CONTRACT ADMINISTRATOR, ON AND OFF SITE, AS REQUIRED FOR INSTALLATION OF ELECTRICAL EQUIPMENT.
- INSTALLATION OF POLE BASES BY CONTRACTOR.
- SCAN AT NEW CABLE INSTALLATIONS TO IDENTIFY EXISTING BURIED SERVICES. SOFT DIG AS REQUIRED TO AVOID DAMAGE TO EXISTING SERVICES.
- ALL EQUIPMENT INSTALLED OUTDOORS TO BE NEMA 3R RATED OR APPROVED SUBSTITUTE IN ACCORDANCE WITH B7.
- INSTALLATION SHALL CONFORM TO CEC RULES 30-1000 THROUGH 30-1030.
- CONTRACTOR TO PROVIDE THE FOLLOWING:
  - CONTROL AND MONITORING CABINET
  - ELECTRICAL COMPONENT ENCLOSURE C/W DISCONNECT
  - PRECAST CONCRETE BASE
  - POLES C/W LIGHTS
- CONTRACTOR TO CONTACT MUSCO LIGHTING (BRAD HARRISON 403-695-8162) AND CARRY MUSCO LIGHTING BID PRICE. ALL LIGHTING DESIGN AND CONTROL SYSTEM IS DESIGNED BY MUSCO LIGHTING. CONTRACTOR MUST REQUEST ALL LITERATURE FOR PANELS, POLES, ETC. FROM MUSCO LIGHTING TO FAMILIARIZE THEMSELVES WITH THE PROJECT.
- EACH POLE CONSISTS OF 8 x 1500W METAL HALIDE LAMPS.
- ALL CABLES INSTALLED UNDERGROUND SHALL BE WET LISTED AS PER CEC.
- CONTRACTOR TO PROVIDE ALL LANDSCAPING REQUIREMENTS. ALL SURFACES TO BE BROUGHT BACK TO ORIGINAL SURFACES.
- MUSCO LIGHTING TO TEST AND FINAL AIM EQUIPMENT OUTSIDE OF CONTRACTORS SCOPE.
- GPS POLE LOCATIONS TO BE CONFIRMED WITH MUSCO LIGHTING PRIOR TO ROUGH-IN.

6			
5			
4			
3	ISSUED FOR ADDENDUM#3	DF	23/11/18
2	ISSUED FOR ADDENDUM#1	GW	20/11/18
1	RE-ISSUED FOR CONSTRUCTION	GW	07/11/18
0	ISSUED FOR CONSTRUCTION	GW	11/10/18
NO.	Description	BY	DDMMYY

**ENGINEERS  
GEOSCIENTISTS**  
MANITOBA  
Certificate of Authorization  
**SMS Engineering Ltd.**  
No. 166

ORIGINAL  
CONTRACT DRAWING  
SIGNED AND SEALED BY  
G.J. WHIFFEN, P. ENG  
NOVEMBER 07, 2018

770 Bradford Street  
Winnipeg, Canada  
T 204 775 0291  
SMSeng.com

Project Title  
**ST. VITAL MEMORIAL PARK  
FIELD RENOVATION**

WINNIPEG MANITOBA

Drawing Title  
**SITE PLAN - ELECTRICAL**

Drawn By IN	Checked By DF	Approved By GW
Scale AS SHOWN	Date AUGUST 2018	Project No. 18-210-01
Revision Number <b>3</b>	Drawing Number <b>E1.0</b>	Sheet Order 1 OF 2

**1 SITE PLAN - ELECTRICAL**  
E1.0  
SCALE: 1:300