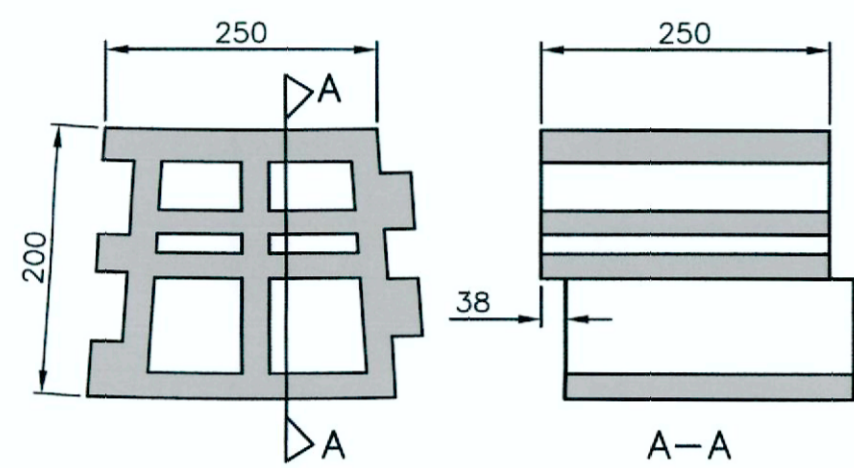


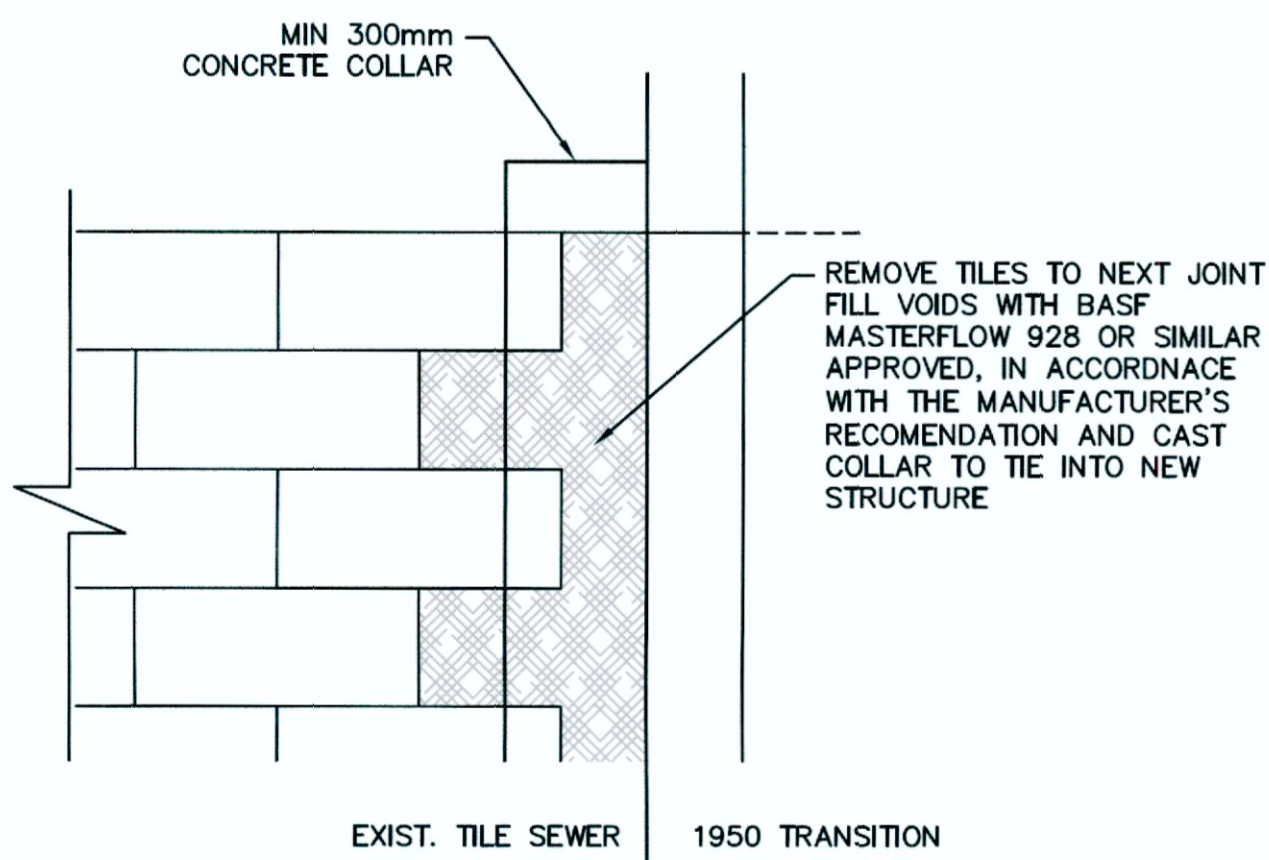
CROSS SECTION OF SEGMENTAL
TILE SEWER 1950 ID



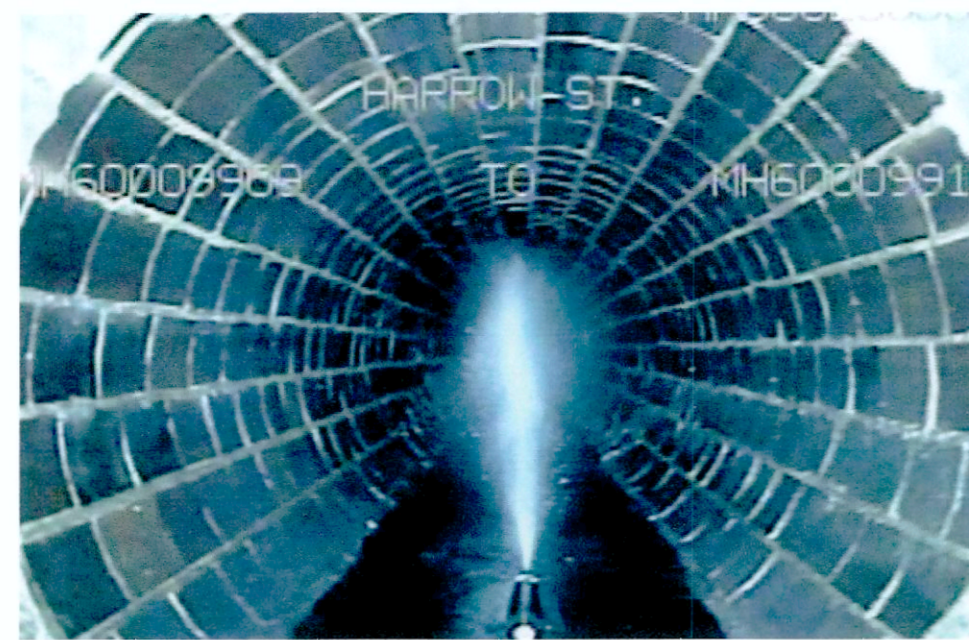
TILE SEGMENT

NOTE: DIMENSIONS TO BE CONFIRMED IN FIELD

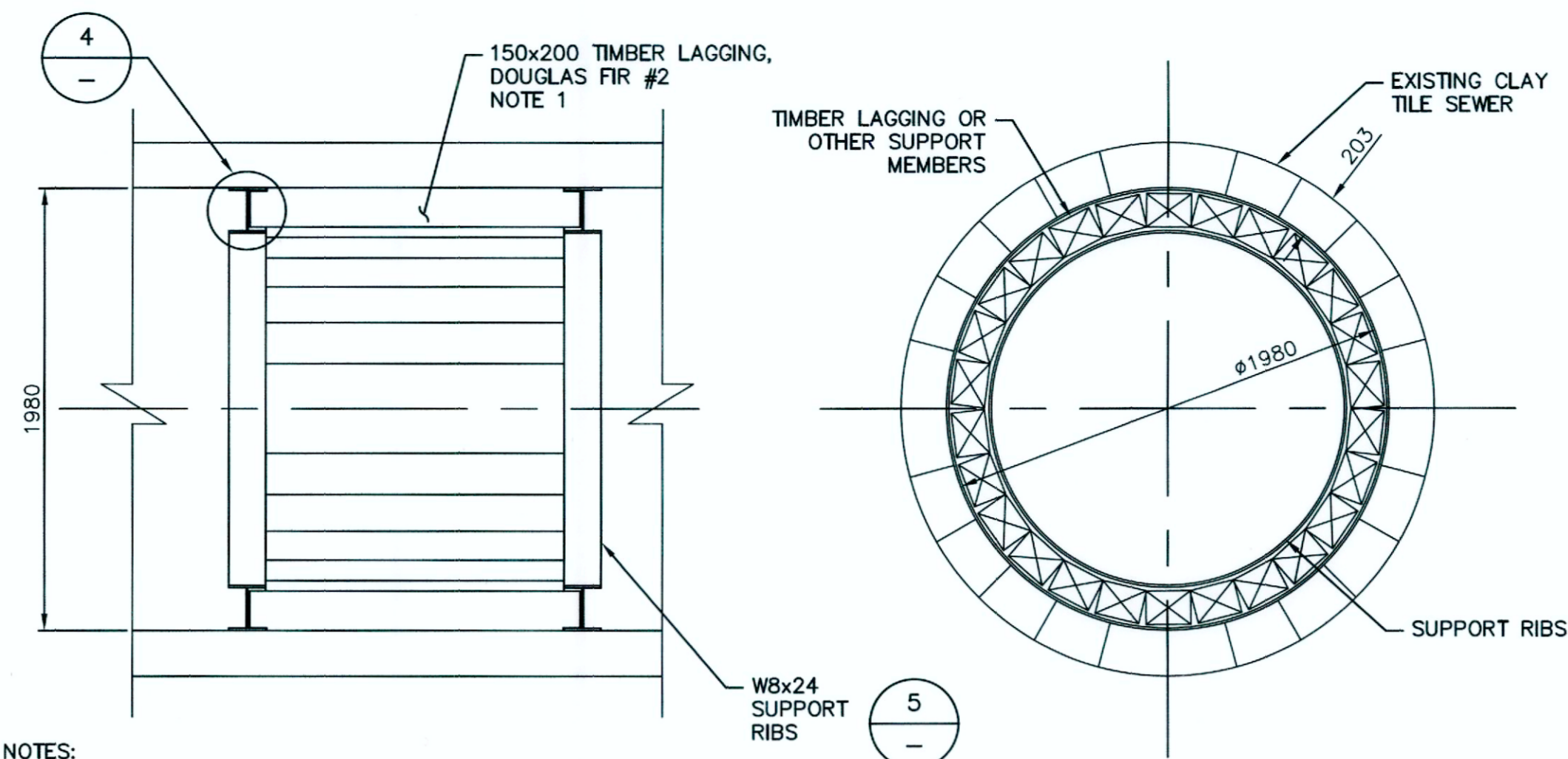
1 TILE SEGMENT DETAIL
NTS



6 DETAIL
NTS



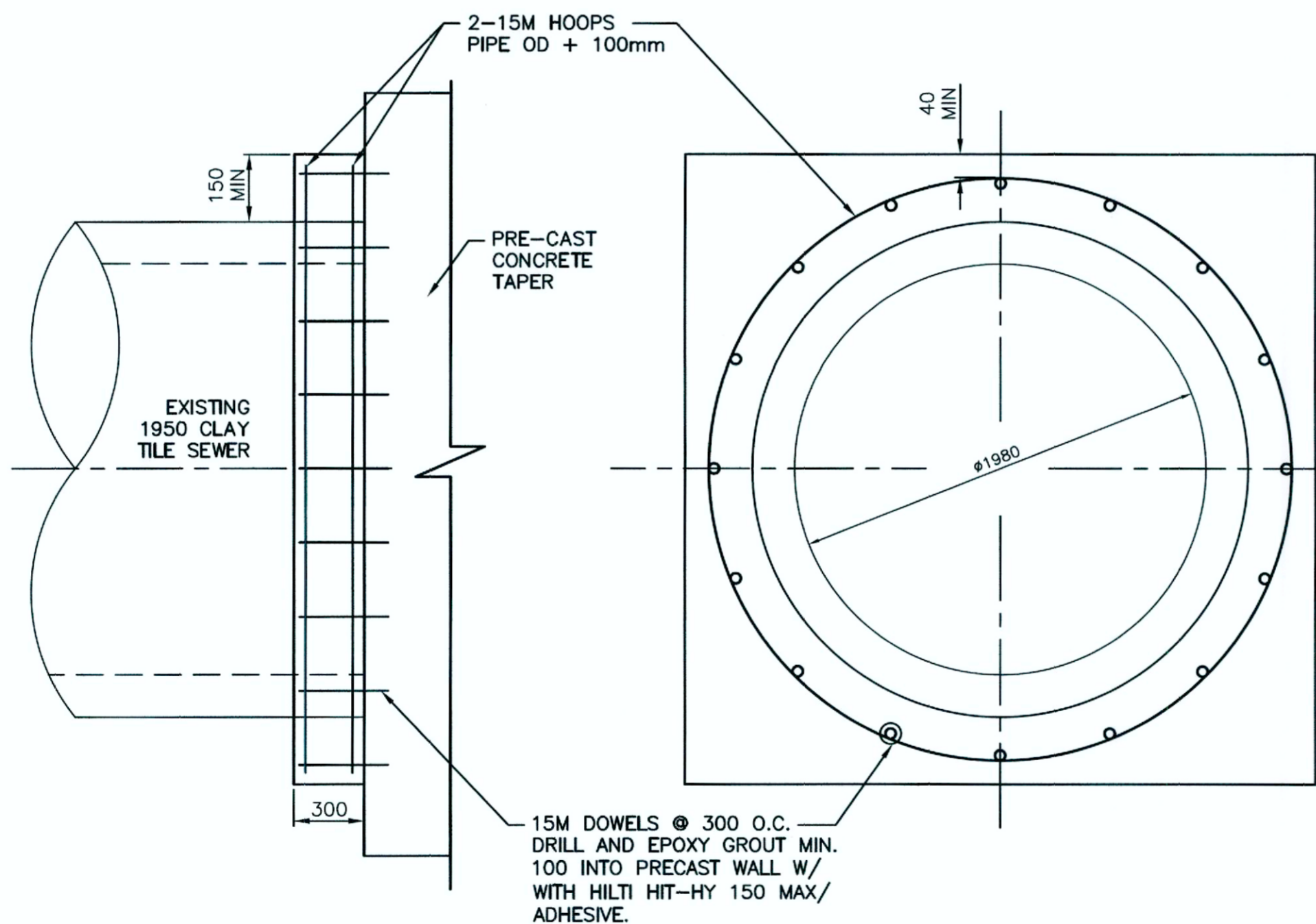
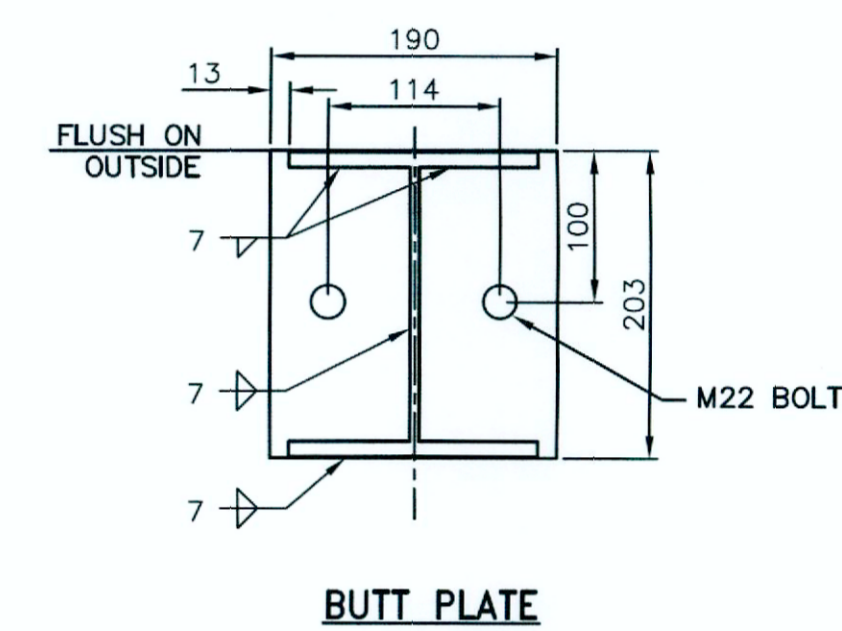
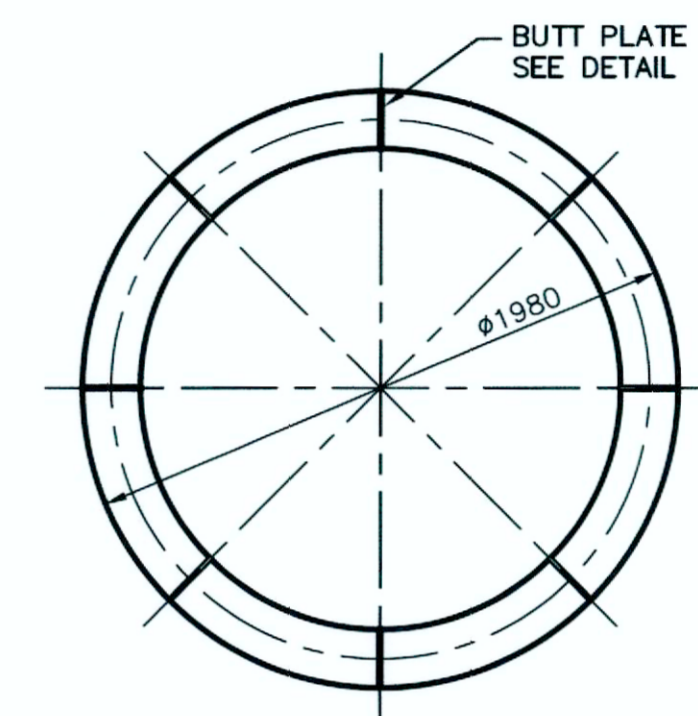
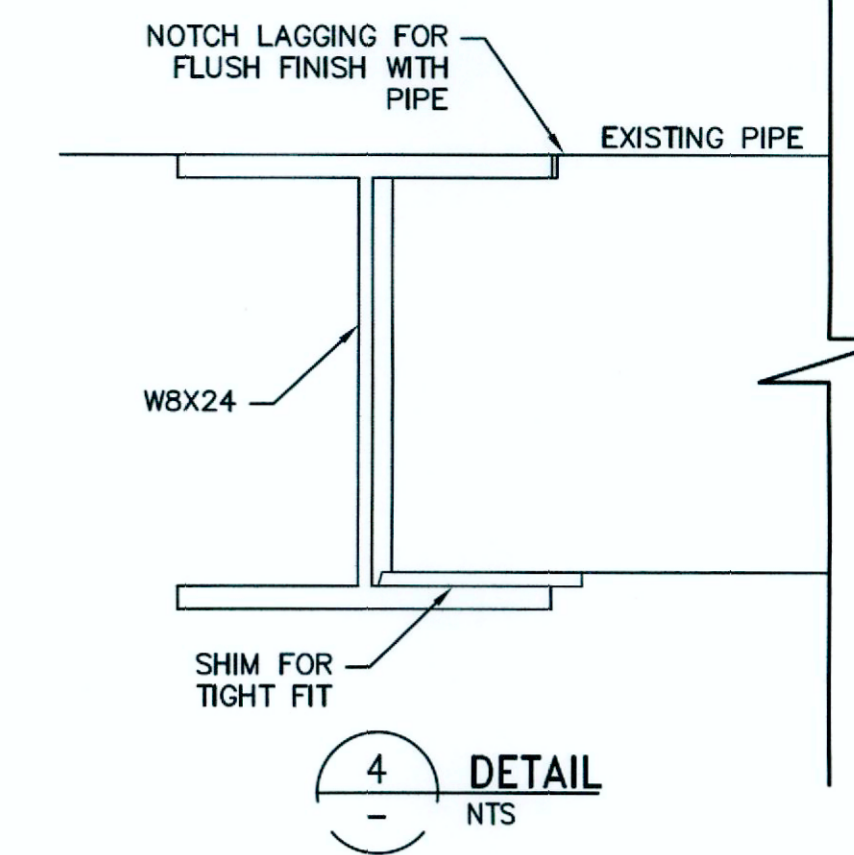
2 EXISTING CCTV INSPECTION
NTS



NOTES:

- ENSURE LAGGING FITS TIGHT AGAINST WALL OF EXISTING SEWER.
PROVIDE SHIMS AS REQUIRED TO ACCOUNT FOR IRREGULARITIES
IN THE EXISTING PIPE OR THE TIMBER LAGGING.

3 CLAY TILE SUPPORT DETAIL
1:50



APEG
Certificate of Authorization
CH2M HILL Canada Ltd.
No. 1441

B.M. ELEV.		KGS GROUP CONSULTING ENGINEERS	ch2m:	ENGINEER'S SEAL PROVINCE OF MANITOBA DRAPER 11412013 37958 REGISTERED PROFESSIONAL ENGINEER	Winnipeg THE CITY OF WINNIPEG WATER AND WASTE DEPARTMENT	SHEET OF 23 OF 25
DESIGNED BY	MD	CHECKED BY	ES	PROJECT TITLE COCKBURN AND CALROSSIE COMBINED SEWER RELIEF WORKS - CONTRACT 5	COMPUTER FILE NAME S-506.dwg	
DRAWN BY	JBC	APPROVED BY	<i>[Signature]</i>	STRUCTURAL	CITY DRAWING NUMBER LD-8434	
HOR. SCALE:	AS NOTED	RELEASED FOR CONSTRUCTION:	<i>[Signature]</i>	MODIFICATION OF EXISTING 1950 SEWER		
VERTICAL:	-	DATE	Jan 19, 2017	SHEET 2 OF 2		
ISSUED FOR TENDER	01/2018	JBC		CONSULTANT DRAWING NO. S-506		
NO. REVISIONS	DATE	BY	DATE			