

WEIR CHANNEL COVER TO BE CHECKERED STAINLESS STEEL, MECHANICALLY SEALED, AIRTIGHT WITH SS BOLTS AND RUBBER GASKET APPROVED FOR USE WITH SEWAGE. SS COVER MUST HOLD 250 LBS LIVE LOAD.

WEIR CHANNEL COVER DETAIL  
(TYPICAL)  
NTS

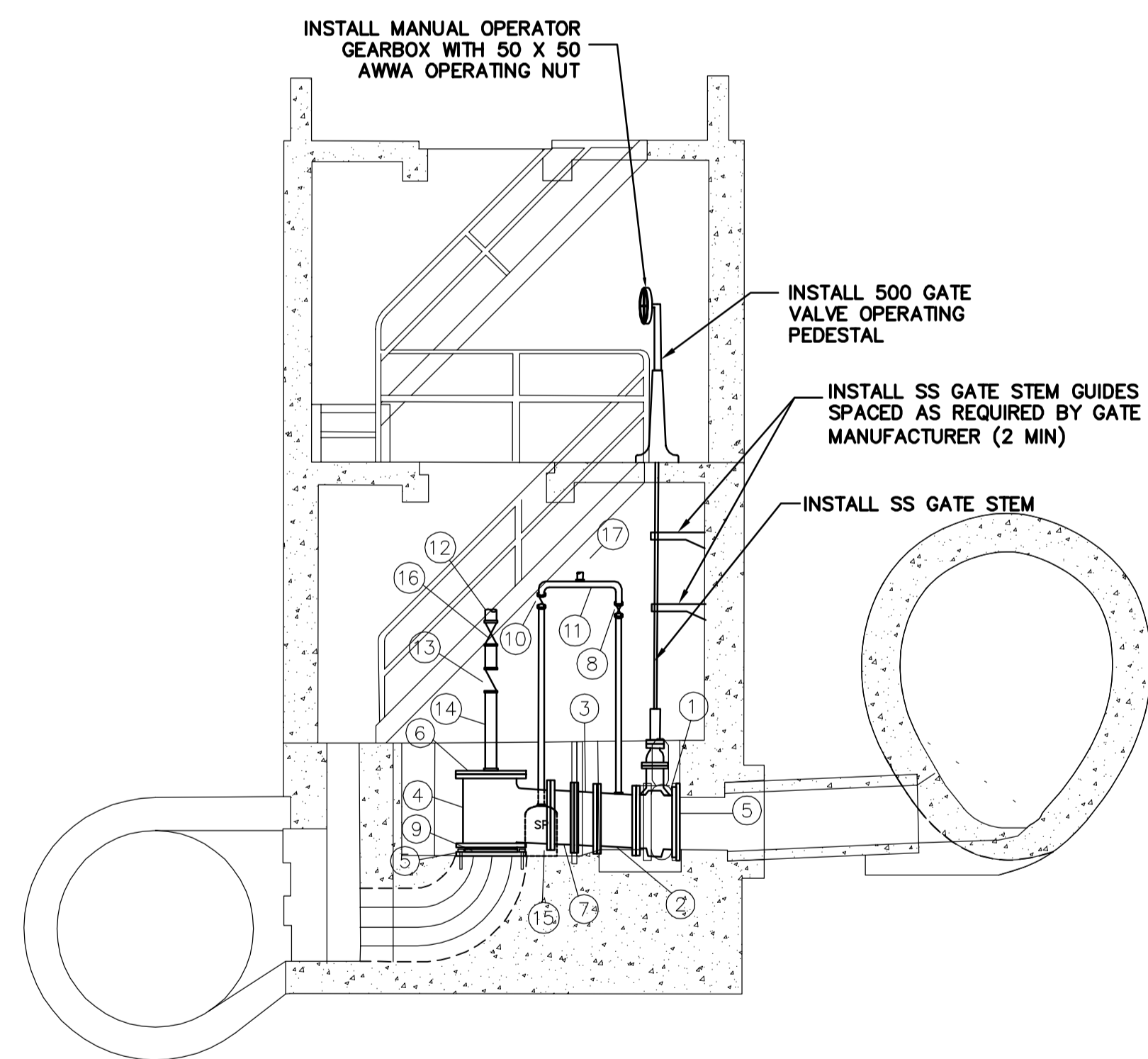
MATERIALS LIST

ITEM	DESCRIPTION	ENDS	LENGTH	QUANTITY
①	* 500# NON RISING STEM GATE VALVES W/PEDESTAL OPERATORS	FL	3462±	1
②	500# PIPE	FL+PE	786±	1
③	500# CAST IRON 45° BEND	FL	-	1
④	500# CAST IRON TEE	FL	-	1
⑤	500# DI FLANGED WALL THIMBLE	-	-	2
⑥	500# DI BLIND FLANGE	-	-	2
⑦	500# UNI-FLANGE	-	-	1
⑧	38# GATE VALVE	-	-	1
⑨	500#-675# REDUCER	-	-	1
⑩	38# CHECK VALVE	-	-	1
⑪	38# ABS PIPE	-	-	1
⑫	75# ONE WAY AIR VALVE	-	-	1
⑬	75# CHECK VALVE	-	-	1
⑭	75# TYPE 316 SS PIPE	-	-	1
⑮	110V, MIN 1/3 HP, SUMP PUMP W/FLOAT SWITCH	-	-	1
⑯	75# GATE VALVE	-	-	1
⑰	38# ONE-WAY AIR VALVE	-	-	1

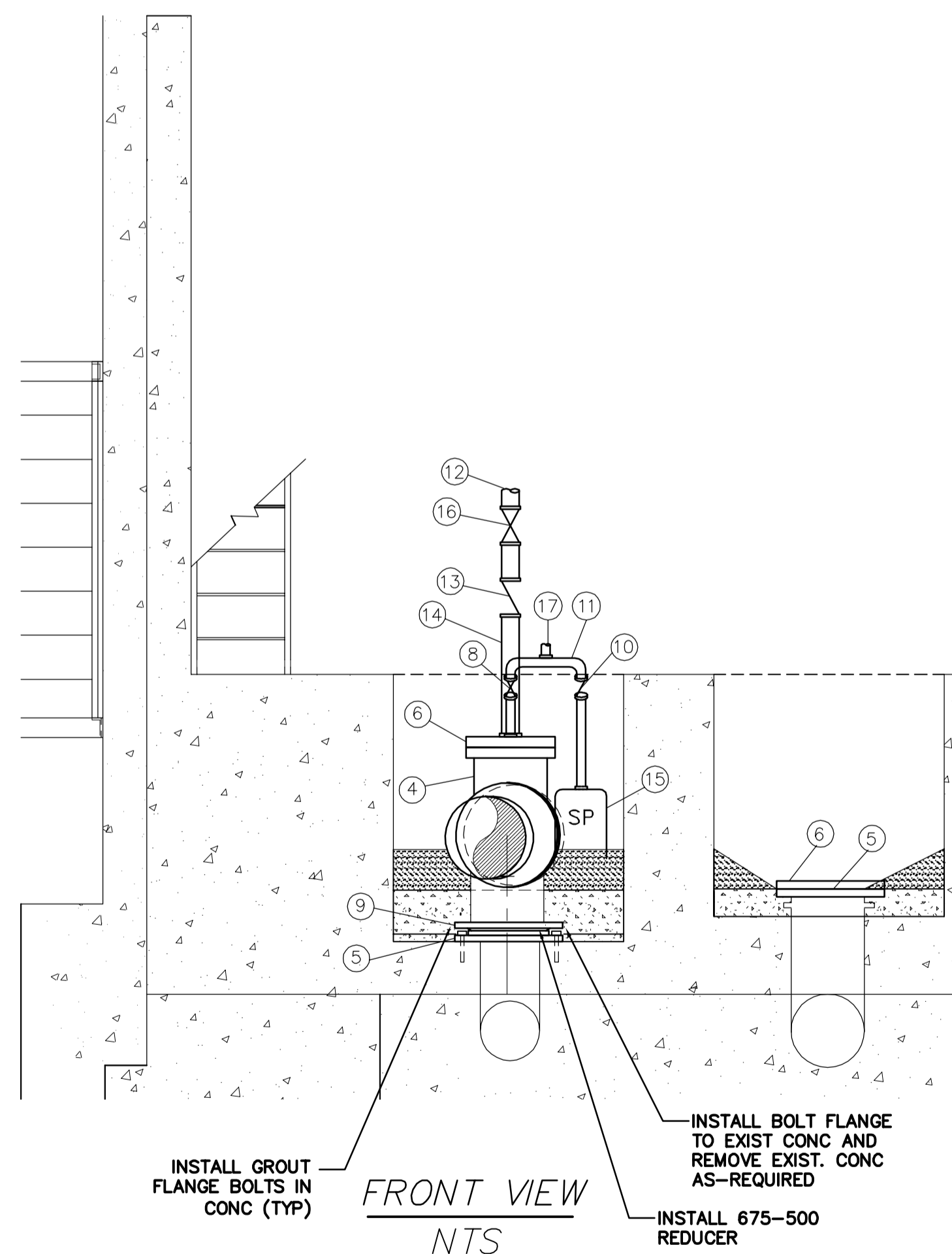
NOTE:  
 LENGTHS & DIMENSIONS SHOWN AS ± TO BE FIELD CONFIRMED BY CONTRACTOR  
 \* ITEMS SUPPLIED BY CITY  
 - CONTRACTOR TO SUPPLY CABLES & CONDUIT FROM SUMP PUMPS TO ELECTRICAL OUTLETS IN COMMUNUTOR ROOM  
 - VALVE PEDESTAL OPERATORS TO HAVE POSITION INDICATORS.

CONSTRUCTION NOTES:

1. ALLOWABLE SHUTDOWN TIME: MAX. 27.0 HRS OR AS DETERMINED BY COLLECTIONS STAFF
2. CRITICAL BASEMENT ELEVATION: 228.600
3. REMOVE EXISTING CONCRETE PIPING, VALVES, FITTINGS, AND OTHER MATERIALS AS REQUIRED. INSTALL NEW PUMPS, MOTORS, PIPING, VALVES AND FITTINGS AS SHOWN.
4. PROVIDE TEMPORARY BY-PASS PUMPING OF WASTEWATER DURING CONSTRUCTION.
5. INSTALL MECHANICAL WORKS AS INDICATED AND ACCORDING TO MANUFACTURER'S SPECIFICATIONS.
6. EXCAVATIONS TO BE BACKFILLED WITH CLASS 3 OR CLASS 5 BACKFILL IN ACCORDANCE WITH CW 2030 AND SD-002.
7. FLANGE NUTS & BOLTS TO BE ASTM A307.
8. GASKETS TO BE FULL FACED, 3 THICK RED RUBBER.
9. CONTRACTOR TO CONFIRM ALL DIMENSIONS BEFORE ASSEMBLING PIPE.
10. ALL ANCHOR BOLTS TO BE ASTM A276 TYPE 316 SS.

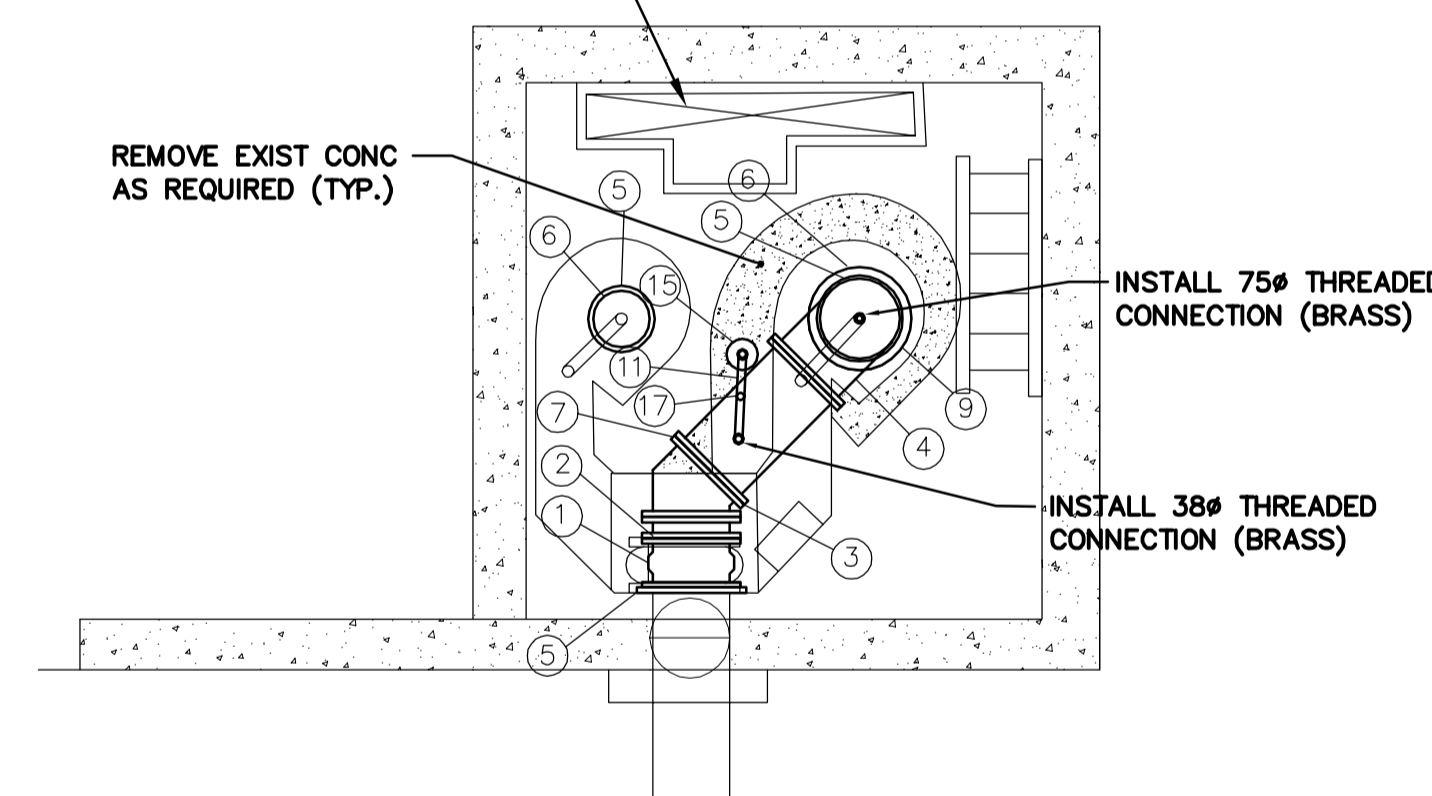


SIDE VIEW  
1:2000

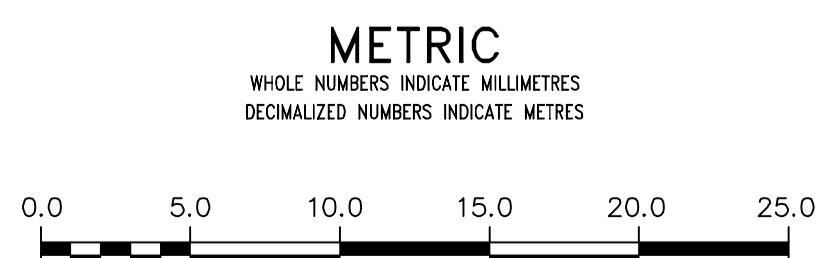


FRONT VIEW  
NTS

SEE WEIR CHANNEL COVER DETAIL



TOP VIEW  
1:2000



LOCATION APPROVED UNDERGROUND STRUCTURES	
SUPV. U/G STRUCTURES COMMITTEE	DATE
NOTE: LOCATION OF UNDERGROUND STRUCTURES AS SHOWN ARE BASED ON THE BEST INFORMATION AVAILABLE BUT NO GUARANTEE IS GIVEN THAT ALL EXISTING UTILITIES ARE SHOWN OR THAT THE GIVEN LOCATIONS ARE EXACT. CONFIRMATION OF EXISTENCE AND EXACT LOCATION OF ALL SERVICES MUST BE OBTAINED FROM THE INDIVIDUAL UTILITIES BEFORE PROCEEDING WITH CONSTRUCTION.	

B.M. ELEV.	
NO.	REVISIONS
DATE	BY

DESIGNED BY	TS	CHECKED BY	SC
DRAWN BY	RS	APPROVED BY	KZ
SCALE:	HORIZONTAL NTS	RELEASED FOR CONSTRUCTION	-
DATE	2017 10 17	DATE	-

ENGINEER'S SEAL  
 ORIGINAL SIGNED BY S.R.J. COURNOYER 17/10/17  
 CONSULTANT DRAWING NUMBER -

**THE CITY OF WINNIPEG**  
 WATER AND WASTE DEPARTMENT  
 ENGINEERING DIVISION

2017 COMMUNUTOR CHAMBER PIPING & VALVE UPGRADES  
 TYLEHURST LIFT STATION  
 TYLEHURST STREET AT WOLSELEY AVENUE WEST

SHEET 10 OF 10  
 CITY DRAWING NUMBER 1-0193L-M0001-001