

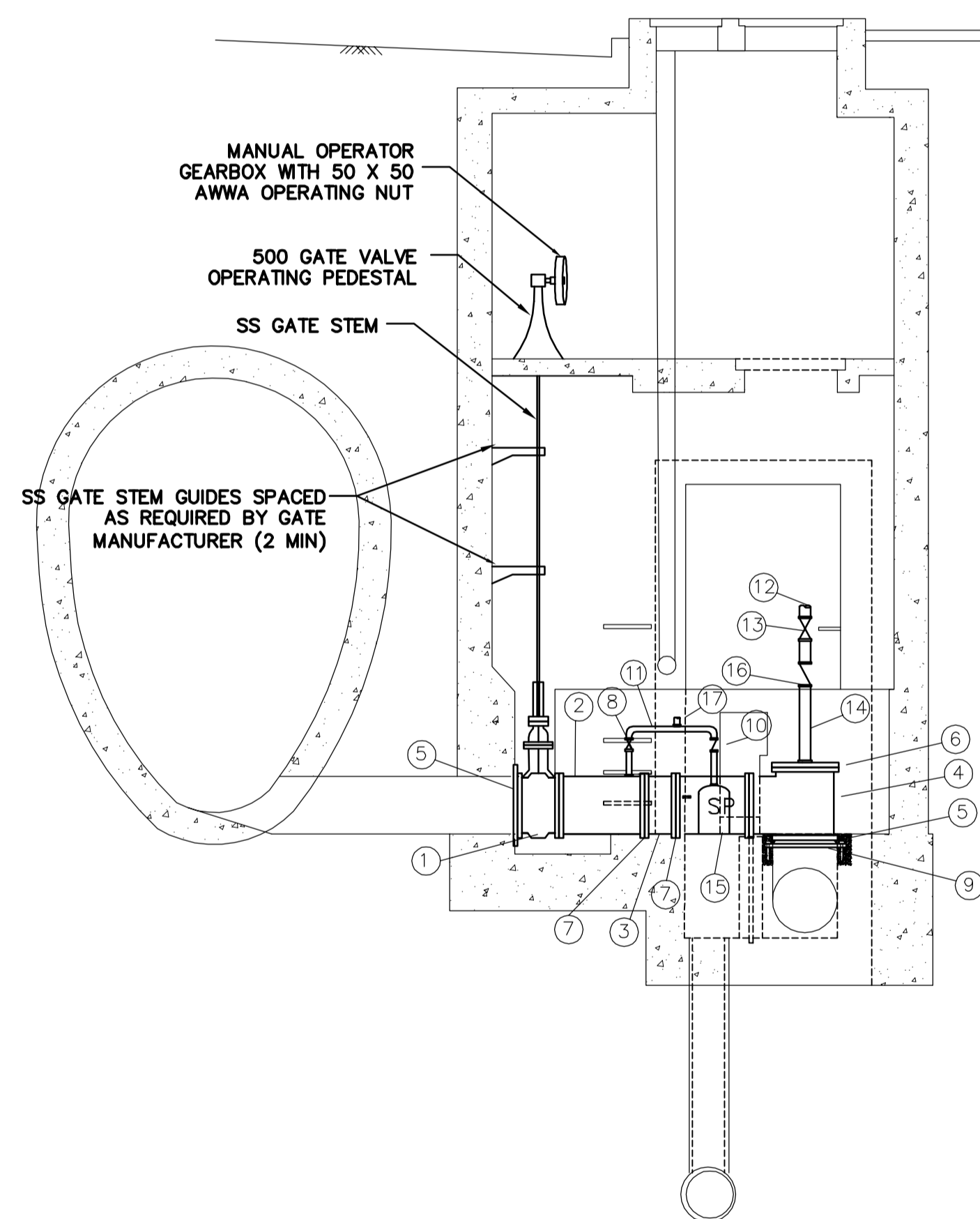
WEIR CHANNEL COVER TO BE CHECKERED STAINLESS STEEL, MECHANICALLY SEALED, AIRTIGHT WITH SS BOLTS AND RUBBER GASKET APPROVED FOR USE WITH SEWAGE. SS COVER MUST HOLD 250 LBS LIVE LOAD.

WEIR CHANNEL COVER DETAIL
(TYPICAL)
NTS

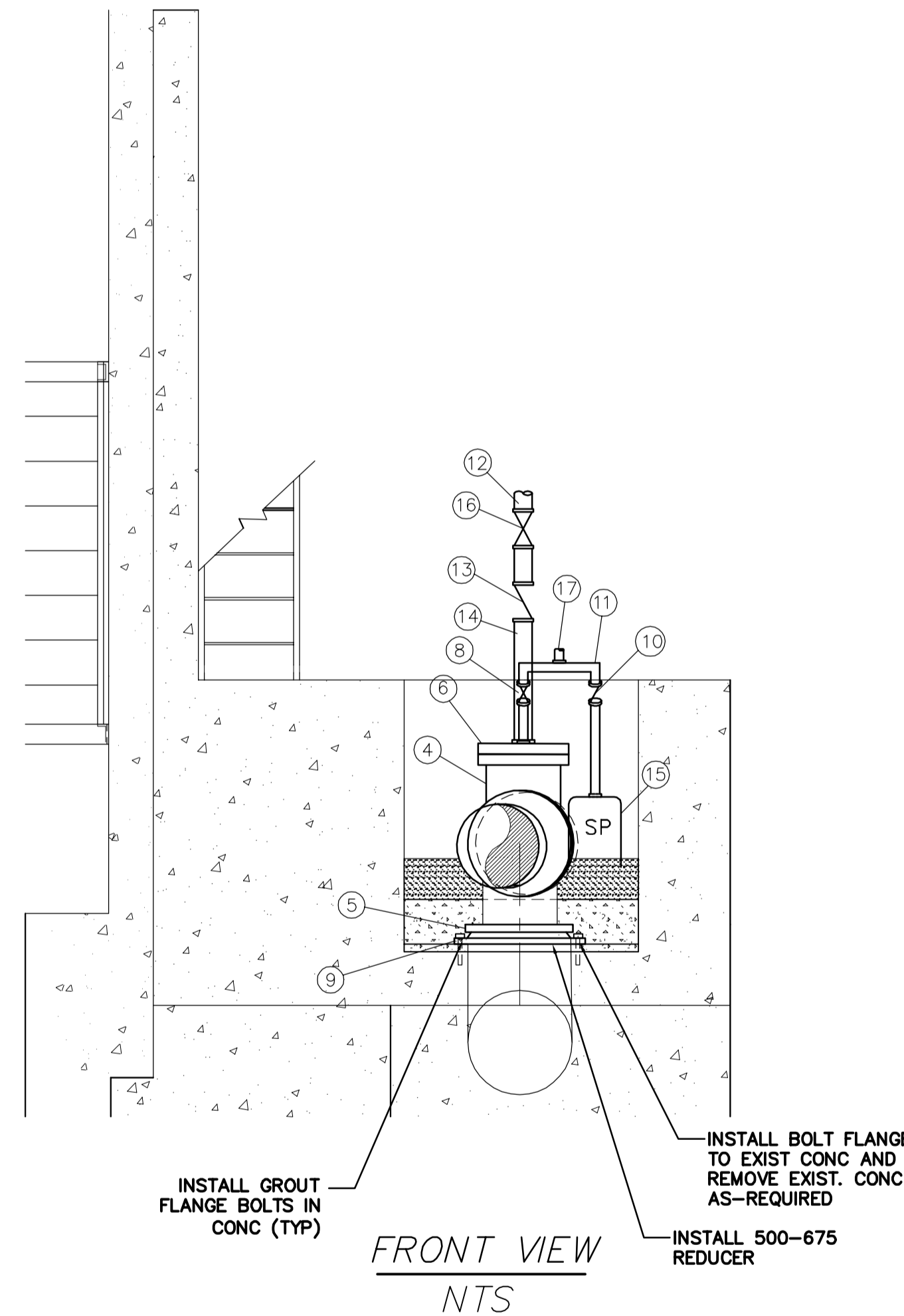
MATERIALS LIST

ITEM	DESCRIPTION	ENDS	LENGTH	QUANTITY
①	500# NON RISING STEM GATE VALVES W/PEDESTAL OPERATORS	FL	3462±	1
②	500# PIPE	FL+PE	786±	1
③	500# CAST IRON 22' BEND	FL	-	1
④	500# CAST IRON TEE	FL	-	1
⑤	500# DI FLANGED WALL THIMBLE	-	-	2
⑥	500# DI BLIND FLANGE	-	-	2
⑦	500# UNI-FLANGE	-	-	1
⑧	38# GATE VALVE	-	-	1
⑨	500#-675# REDUCER	-	-	1
⑩	38# CHECK VALVE	-	-	1
⑪	38# ABS PIPE	-	-	1
⑫	75# ONE WAY AIR VALVE	-	-	1
⑬	75# CHECK VALVE	-	-	1
⑭	75# TYPE 316 SS PIPE	-	-	1
⑮	110V, MIN 1/3 HP, SUMP PUMP W/FLOAT SWITCH	-	-	1
⑯	75# GATE VALVE	-	-	1
⑰	38# ONE-WAY AIR VALVE	-	-	1

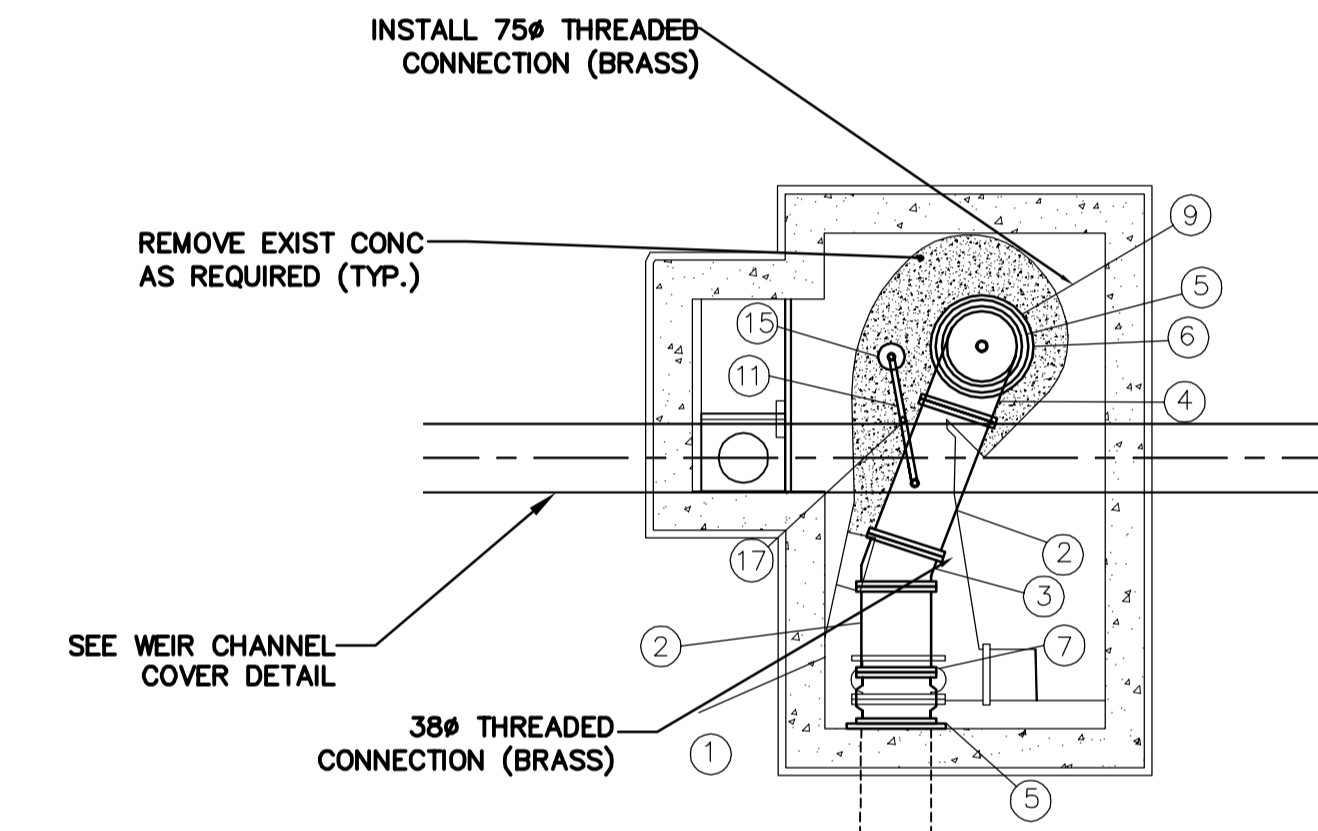
NOTE: LENGTHS & DIMENSIONS SHOWN AS ± TO BE FIELD CONFIRMED BY CONTRACTOR
 * ITEMS SUPPLIED BY CITY
 - CONTRACTOR TO SUPPLY CABLES & CONDUIT FROM SUMP PUMPS TO ELECTRICAL
 - OUTLETS IN COMMUNOTOR ROOM
 - VALVE PEDESTAL OPERATORS TO HAVE POSITION INDICATORS.



SIDE VIEW
1:2000



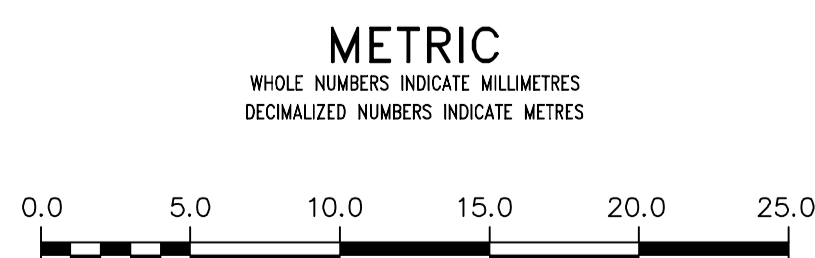
FRONT VIEW
NTS



TOP VIEW
1:2000

CONSTRUCTION NOTES:

- ALLOWABLE SHUTDOWN TIME: MAX. 6.2 HRS OR AS DETERMINED BY COLLECTIONS STAFF
- CRITICAL BASEMENT ELEVATION: 224.962
- REMOVE EXISTING CONCRETE PIPING, VALVES, FITTINGS, AND OTHER MATERIALS AS REQUIRED. INSTALL NEW PUMPS, MOTORS, PIPING, VALVES AND FITTINGS AS SHOWN.
- PROVIDE TEMPORARY BY-PASS PUMPING OF WASTEWATER DURING CONSTRUCTION.
- INSTALL MECHANICAL WORKS AS INDICATED AND ACCORDING TO MANUFACTURER'S SPECIFICATIONS.
- EXCAVATIONS TO BE BACKFILLED WITH CLASS 3 OR CLASS 5 BACKFILL IN ACCORDANCE WITH CW 2030 AND SD-002.
- FLANGE NUTS & BOLTS TO BE ASTM A307.
- GASKETS TO BE FULL FACED, 3 THICK RED RUBBER.
- CONTRACTOR TO CONFIRM ALL DIMENSIONS BEFORE ASSEMBLING PIPE.
- ALL ANCHOR BOLTS TO BE ASTM A276 TYPE 316 SS.



LOCATION APPROVED
UNDERGROUND STRUCTURES

SUPV. U/G STRUCTURES COMMITTEE DATE

NOTE:
LOCATION OF UNDERGROUND STRUCTURES AS SHOWN ARE BASED ON THE BEST INFORMATION AVAILABLE BUT NO GUARANTEE IS GIVEN THAT ALL EXISTING UTILITIES ARE SHOWN OR THAT THE GIVEN LOCATIONS ARE EXACT. CONFIRMATION OF EXISTENCE AND EXACT LOCATION OF ALL SERVICES MUST BE OBTAINED FROM THE INDIVIDUAL UTILITIES BEFORE PROCEEDING WITH CONSTRUCTION.

NO.	REVISIONS	DATE	BY

DESIGNED BY	TS	CHECKED BY	SC
DRAWN BY	RS	APPROVED BY	KZ
SCALE:	HORIZONTAL AS NOTED	RELEASED FOR CONSTRUCTION	-
	VERTICAL AS NOTED	DATE	-
		DATE	2017 10 17

ENGINEER'S SEAL

ORIGINAL SIGNED BY S.R.J. COURNOYER 17/10/17

CONSULTANT DRAWING NUMBER

THE CITY OF WINNIPEG
WATER AND WASTE DEPARTMENT
ENGINEERING DIVISION

2017 COMMUNOTOR CHAMBER PIPING & VALVE UPGRADES

JEFFERSON DIVERSION CHAMBER
JEFFERSON AVENUE AT MAIN STREET

SHEET 8 OF 10
CITY DRAWING NUMBER
1-0148L-M0001-001