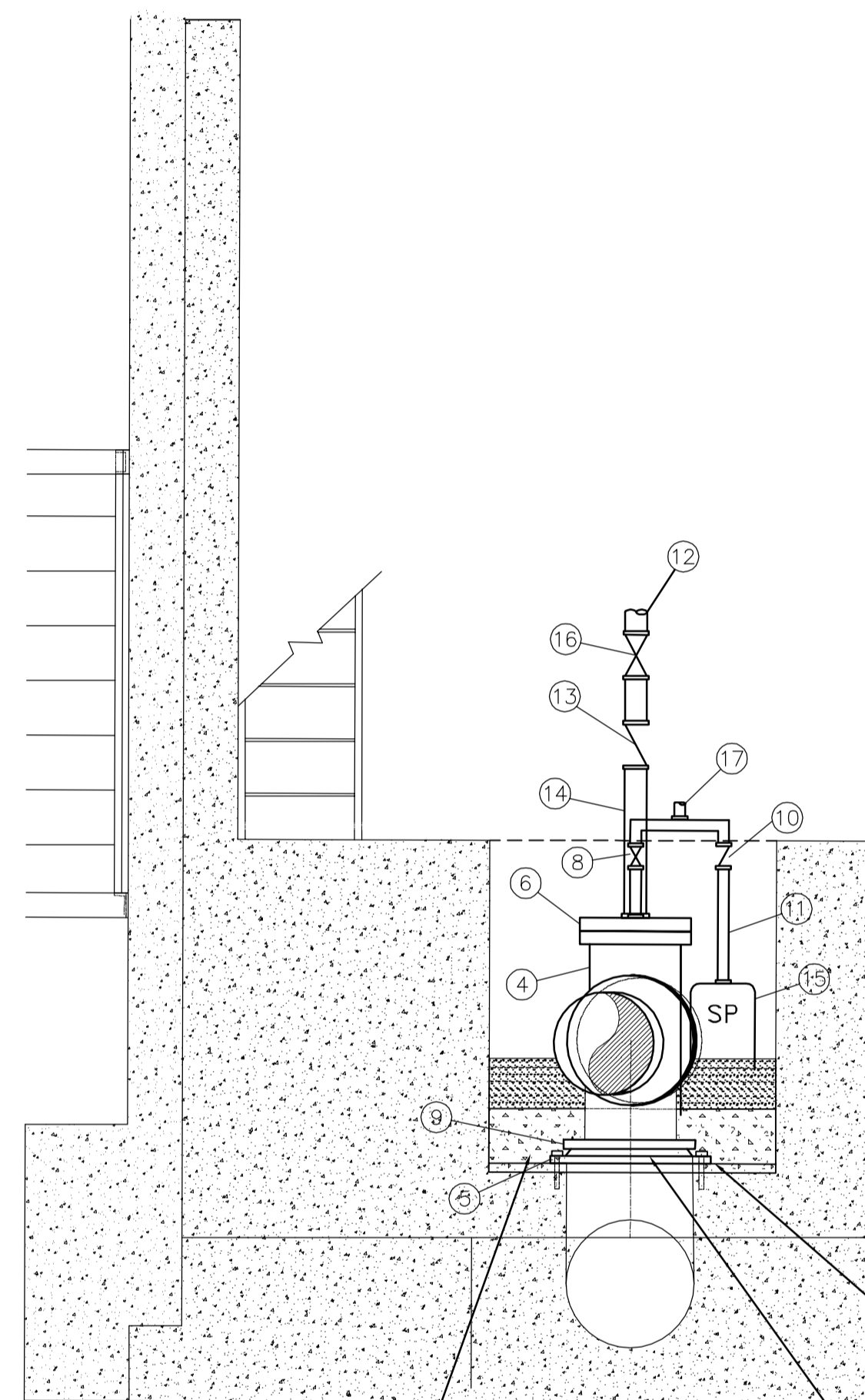


**SIDE VIEW**  
1:1

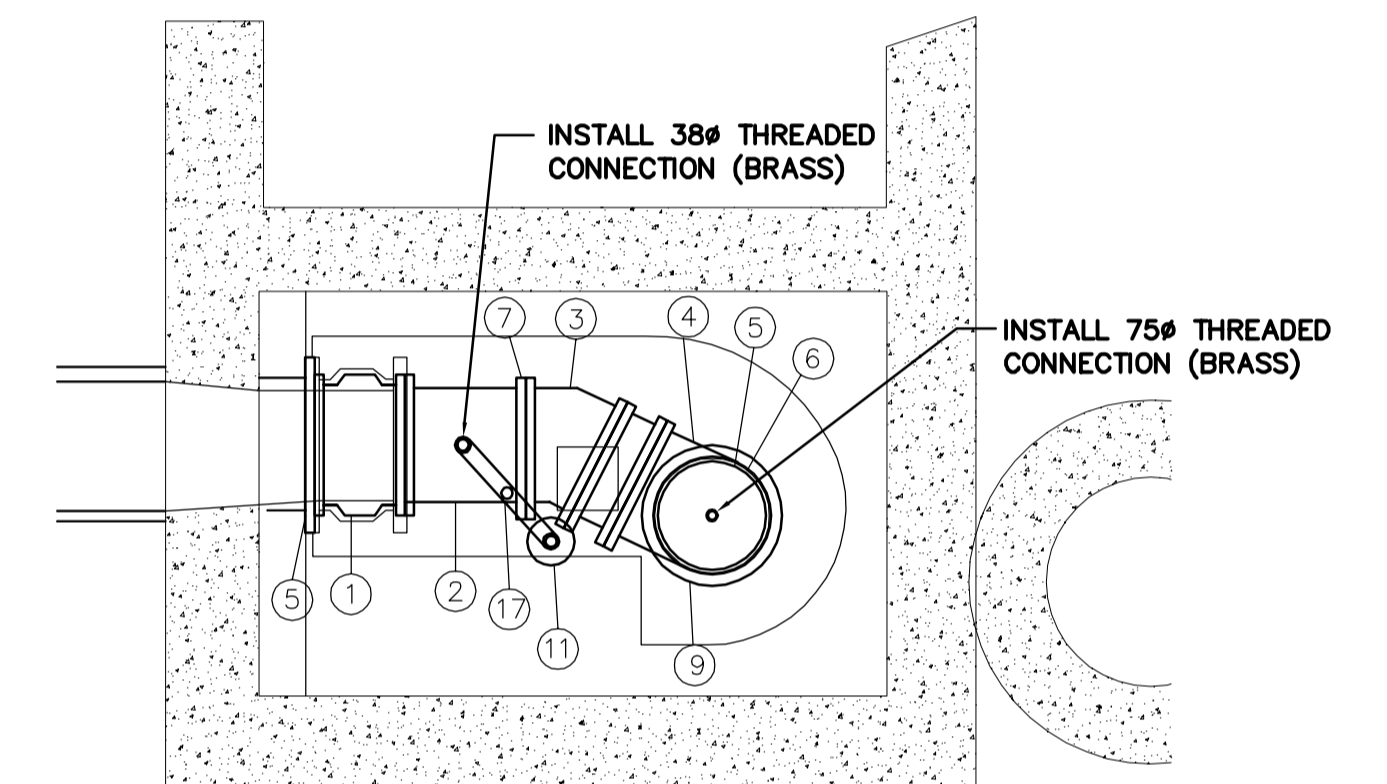


**FRONT VIEW**  
1:1

**MATERIALS LIST**

ITEM	DESCRIPTION	ENDS	LENGTH	QUANTITY
①	* 400# NON RISING STEM GATE VALVES W/PEDESTAL OPERATORS	FL	3462±	1
②	400# PIPE	FL+PE	786±	1
③	400# CAST IRON 22' BEND	FL	-	1
④	400# CAST IRON TEE	FL	-	1
⑤	400# DI FLANGED WALL THIMBLE	-	-	2
⑥	400# DI BLIND FLANGE	-	-	2
⑦	400# UNI-FLANGE	-	-	1
⑧	38# GATE VALVE	-	-	1
⑨	400#-500# REDUCER	-	-	1
⑩	38# CHECK VALVE	-	-	1
⑪	38# ABS PIPE	-	-	1
⑫	75# ONE WAY AIR VALVE	-	-	1
⑬	75# CHECK VALVE	-	-	1
⑭	75# TYPE 316 SS PIPE	-	-	1
⑮	110V, MIN 1/3 HP, SUMP PUMP W/FLOAT SWITCH	-	-	1
⑯	75# GATE VALVE	-	-	1
⑰	38# ONE-WAY AIR VALVE	-	-	1

**NOTE:** LENGTHS & DIMENSIONS SHOWN AS ± TO BE FIELD CONFIRMED BY CONTRACTOR  
 \* ITEMS SUPPLIED BY CITY  
 - CONTRACTOR TO SUPPLY CABLES & CONDUIT FROM SUMP PUMPS TO ELECTRICAL  
 - OUTLETS IN COMMUNOTOR ROOM  
 - VALVE PEDESTAL OPERATORS TO HAVE POSITION INDICATORS.



**TOP VIEW**  
1:1

**CONSTRUCTION NOTES:**

- ALLOWABLE SHUTDOWN TIME: MAX. 9.8 HRS OR AS DETERMINED BY COLLECTIONS STAFF
- CRITICAL BASEMENT ELEVATION: 226.352
- REMOVE EXISTING CONCRETE PIPING, VALVES, FITTINGS, AND OTHER MATERIALS AS REQUIRED. INSTALL NEW PUMPS, MOTORS, PIPING, VALVES AND FITTINGS AS SHOWN.
- PROVIDE TEMPORARY BY-PASS PUMPING OF WASTEWATER DURING CONSTRUCTION.
- INSTALL MECHANICAL WORKS AS INDICATED AND ACCORDING TO MANUFACTURER'S SPECIFICATIONS.
- EXCAVATIONS TO BE BACKFILLED WITH CLASS 3 OR CLASS 5 BACKFILL IN ACCORDANCE WITH CW 2030 AND SD-002.
- FLANGE NUTS & BOLTS TO BE ASTM A307.
- GASKETS TO BE FULL FACED, 3 THICK RED RUBBER.
- CONTRACTOR TO CONFIRM ALL DIMENSIONS BEFORE ASSEMBLING PIPE.
- ALL ANCHOR BOLTS TO BE ASTM A276 TYPE 316 SS.

**METRIC**  
WHOLE NUMBERS INDICATE MILLIMETRES  
DECIMALIZED NUMBERS INDICATE METRES

LOCATION APPROVED UNDERGROUND STRUCTURES SUPV. U/G STRUCTURES COMMITTEE DATE NOTE: LOCATION OF UNDERGROUND STRUCTURES AS SHOWN ARE BASED ON THE BEST INFORMATION AVAILABLE BUT NO GUARANTEE IS GIVEN THAT ALL EXISTING UTILITIES ARE SHOWN OR THAT THE GIVEN LOCATIONS ARE EXACT. CONFIRMATION OF EXISTENCE AND EXACT LOCATION OF ALL SERVICES MUST BE OBTAINED FROM THE INDIVIDUAL UTILITIES BEFORE PROCEEDING WITH CONSTRUCTION.		B.M. ELEV.	DESIGNED BY TS DRAWN BY RS SCALE: HORIZONTAL 1:1 VERTICAL 1:1 DATE 2017 10 17	CHECKED BY SC APPROVED BY SC RELEASED FOR CONSTRUCTION DATE -	ENGINEER'S SEAL ORIGINAL SIGNED BY S.R.J. COURNOYER 17/10/17 CONSULTANT DRAWING NUMBER -	<b>THE CITY OF WINNIPEG</b> WATER AND WASTE DEPARTMENT ENGINEERING DIVISION 2017 COMMUNOTOR CHAMBER PIPING & VALVE UPGRADES <b>CORNISH PUMPING STATION</b> CORNISH AVENUE AT LANGSIDE STREET	SHEET 6 OF 10 CITY DRAWING NUMBER 1-0133L-M0001-001
NO. REVISIONS DATE BY		PLOT DATE: 2017 10 17		BID OPPORTUNITY: 802-2017		FILE PATH: R:\DRAWINGS\SEWER\2017 RENEWALS\LIFT STATION\Communotor Chamber work\CORNISH\Construction.dwg FILE NAME: cornish plan.dwg	