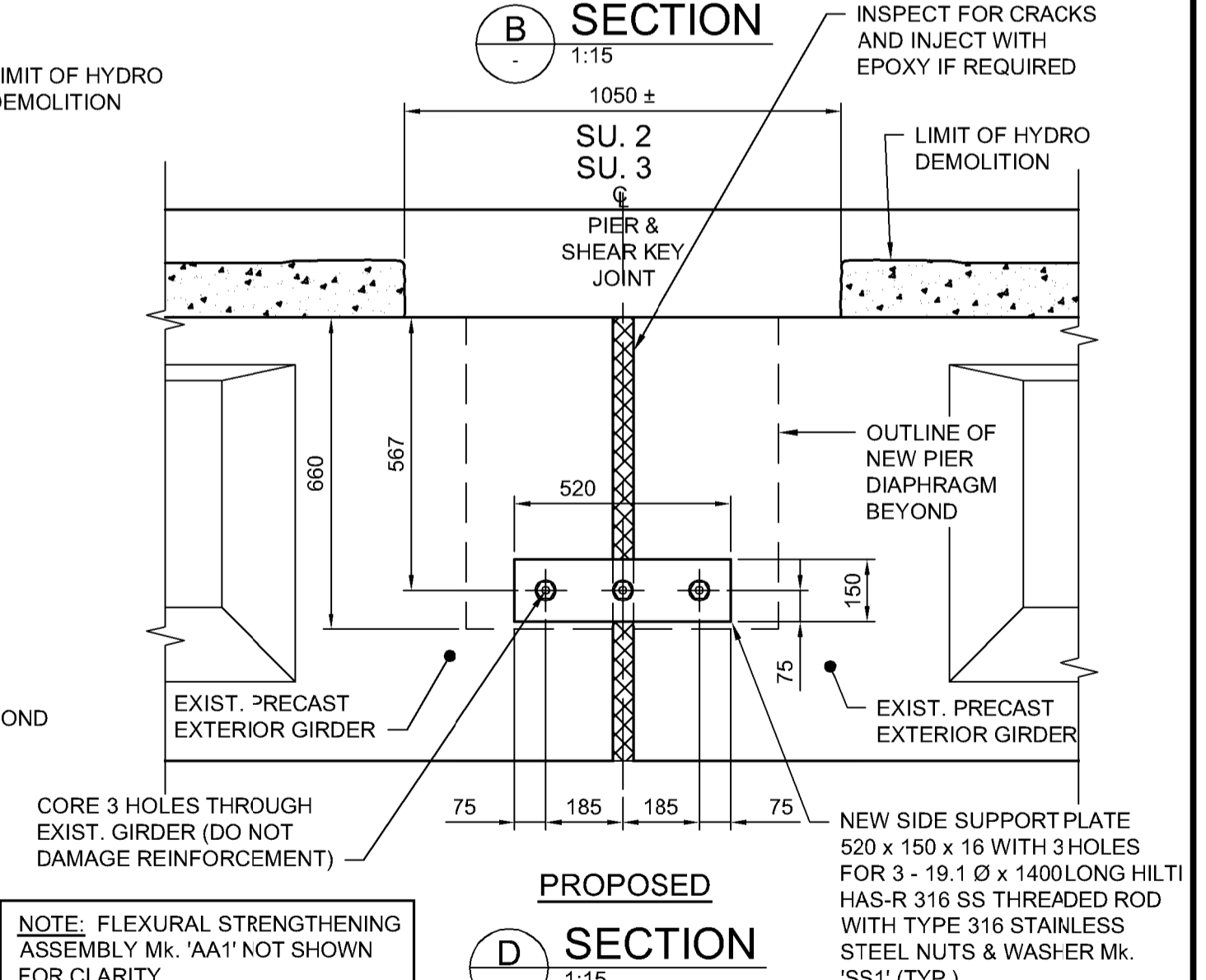
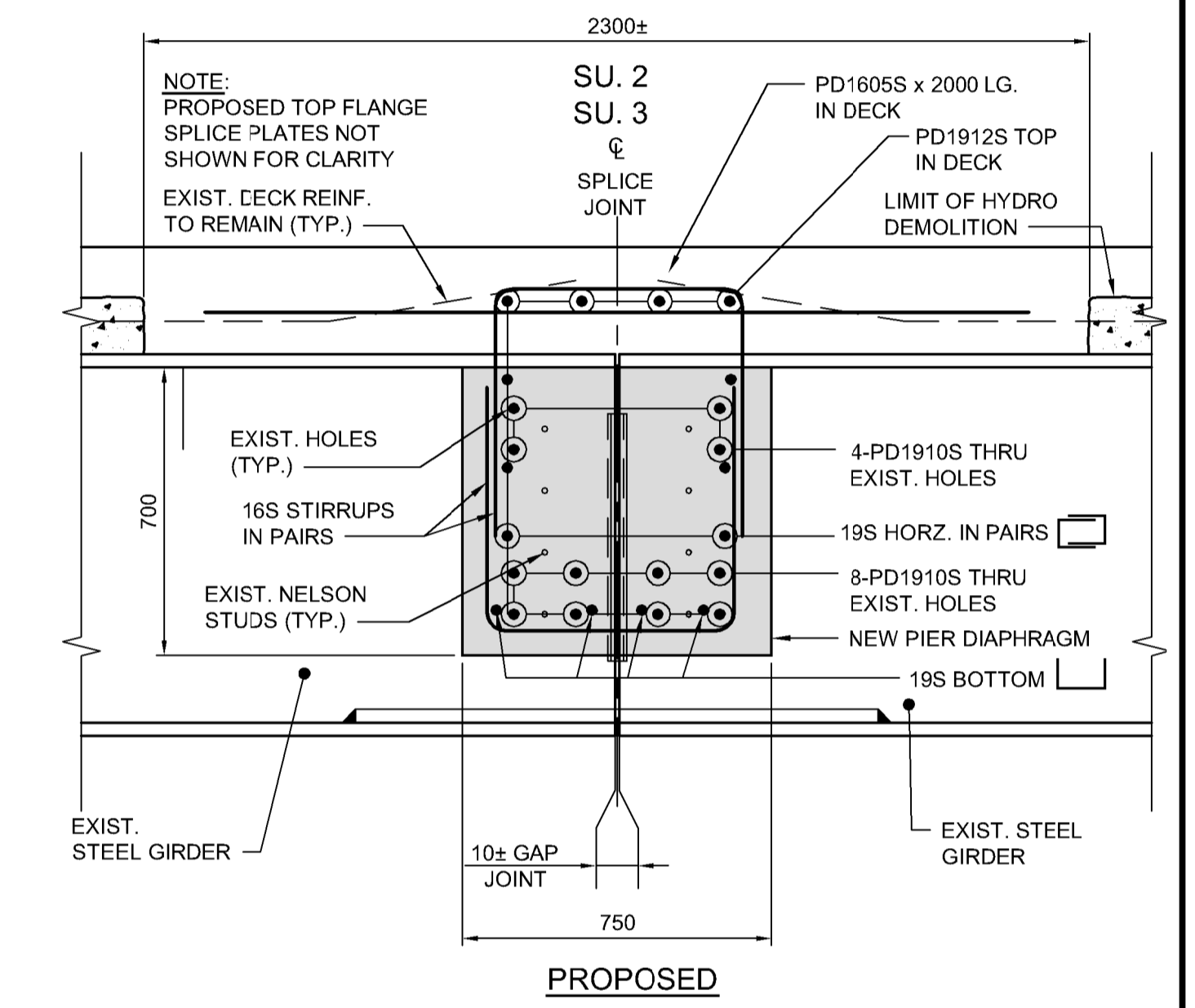
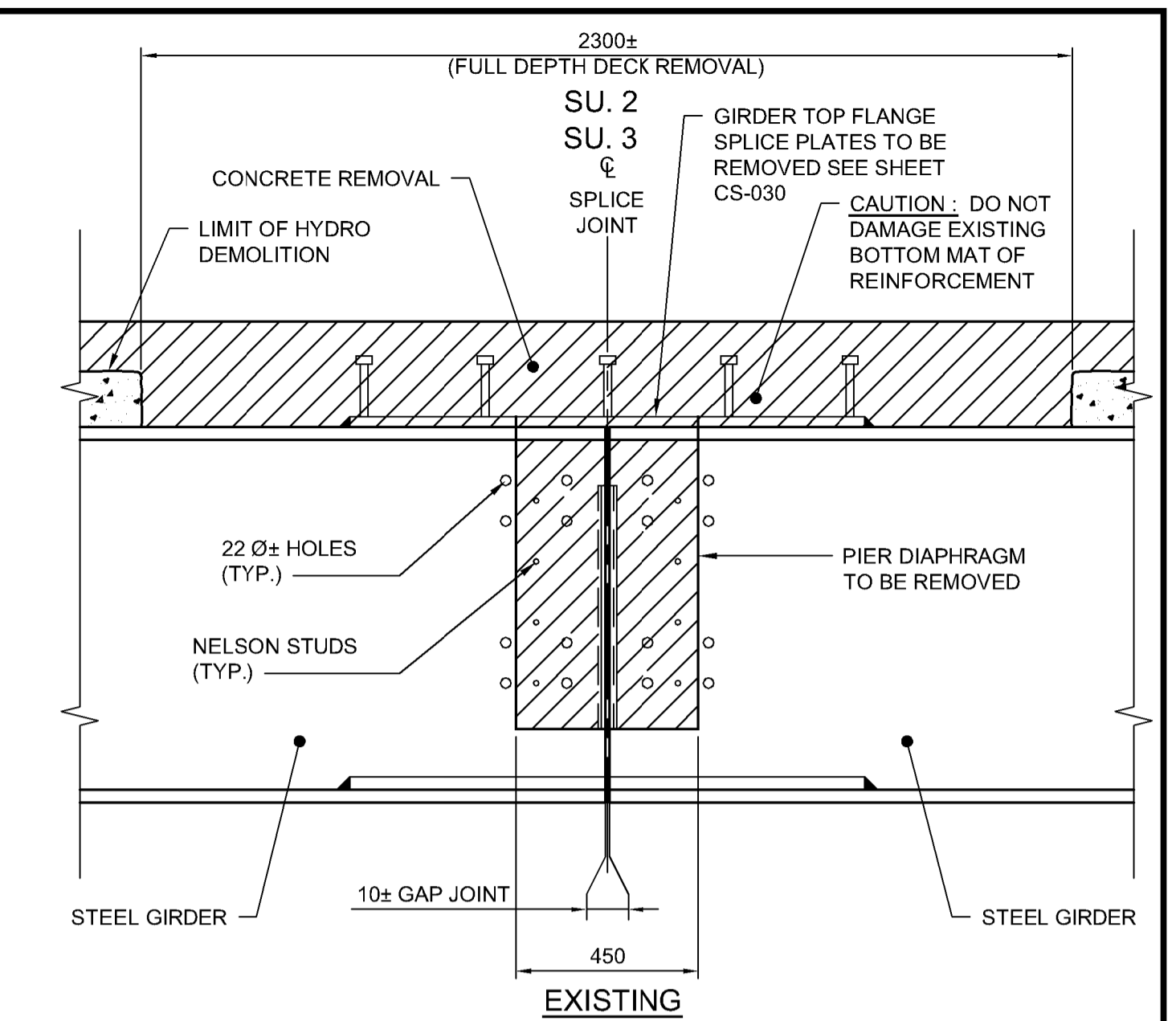
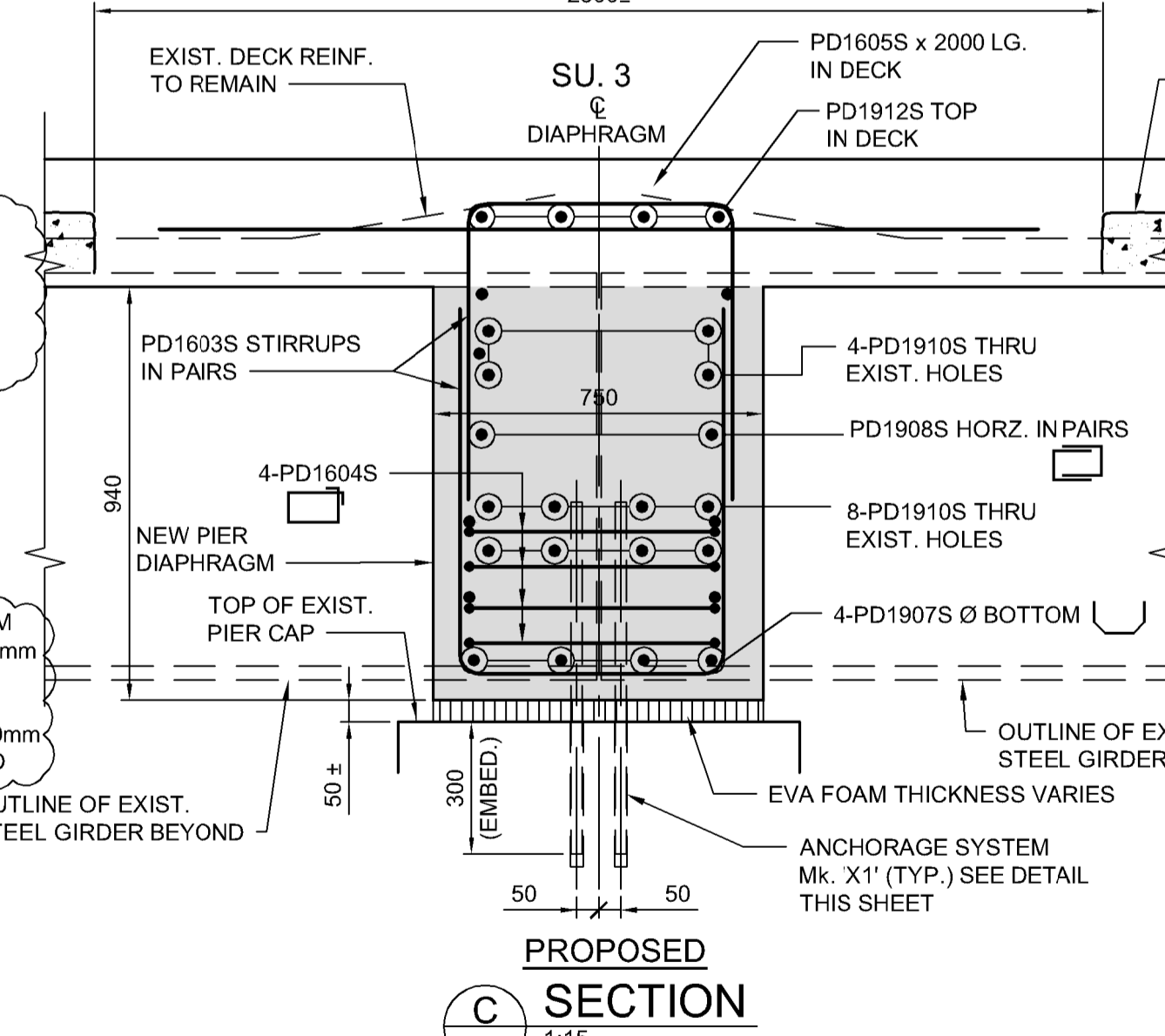
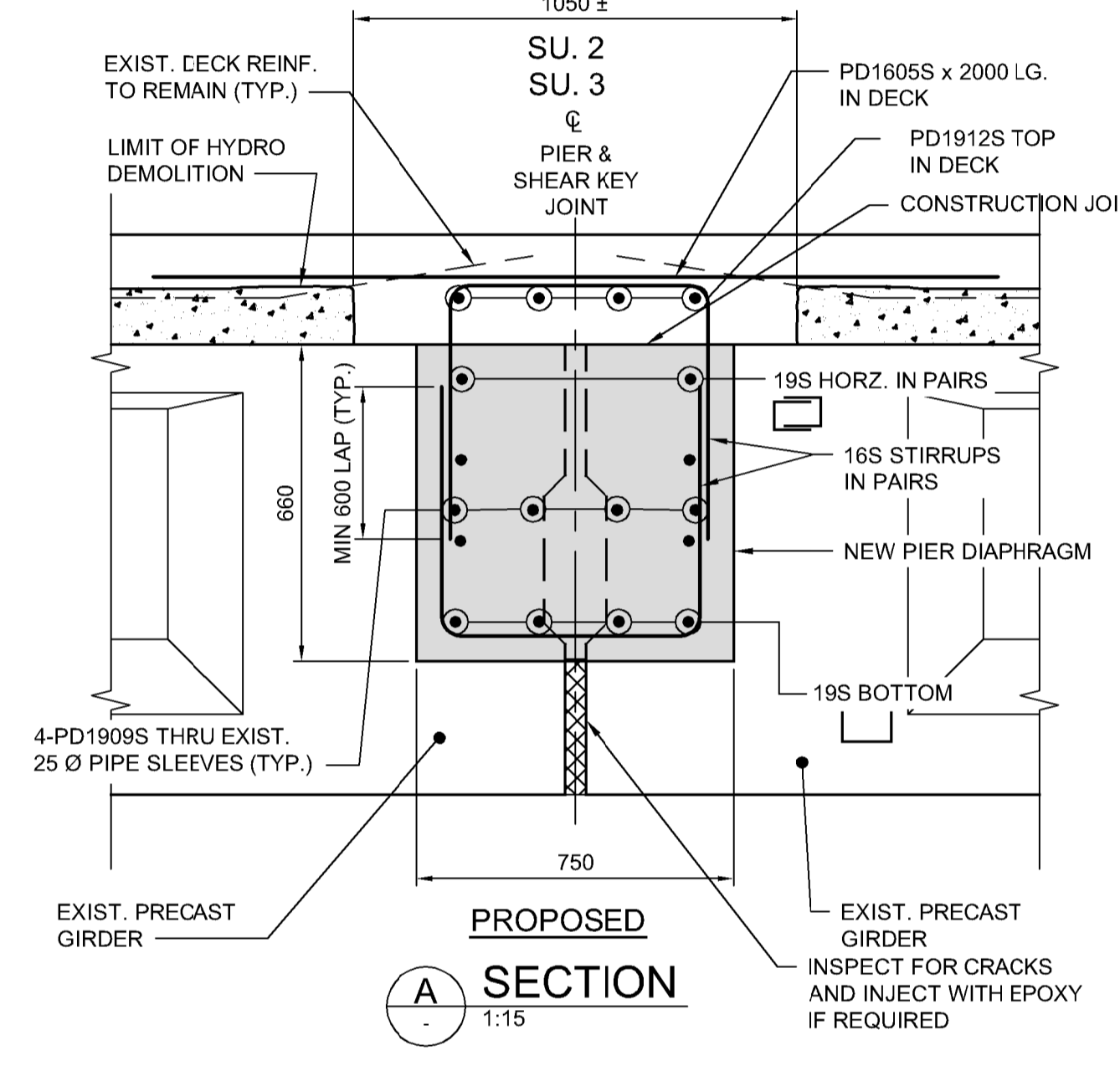
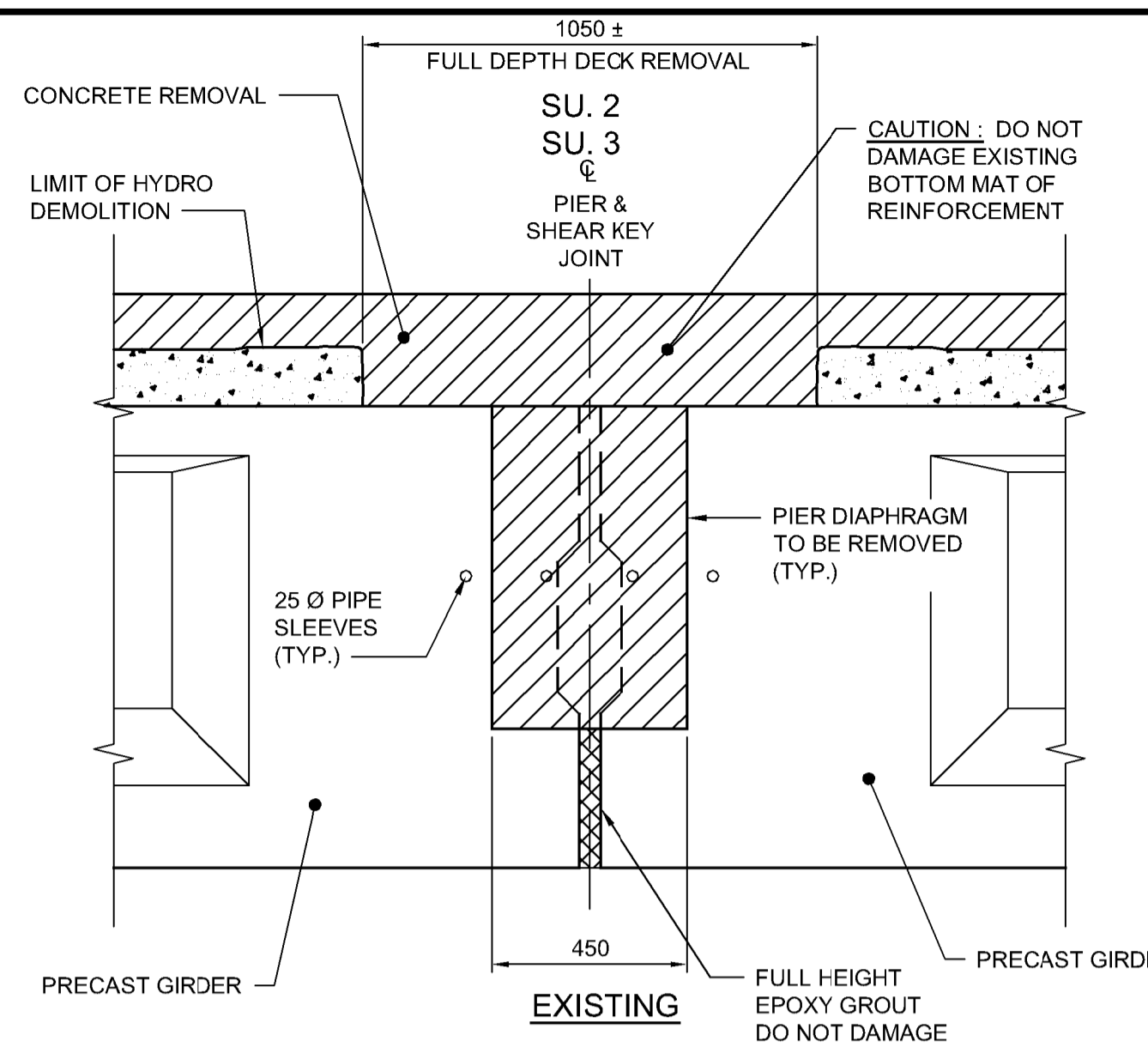
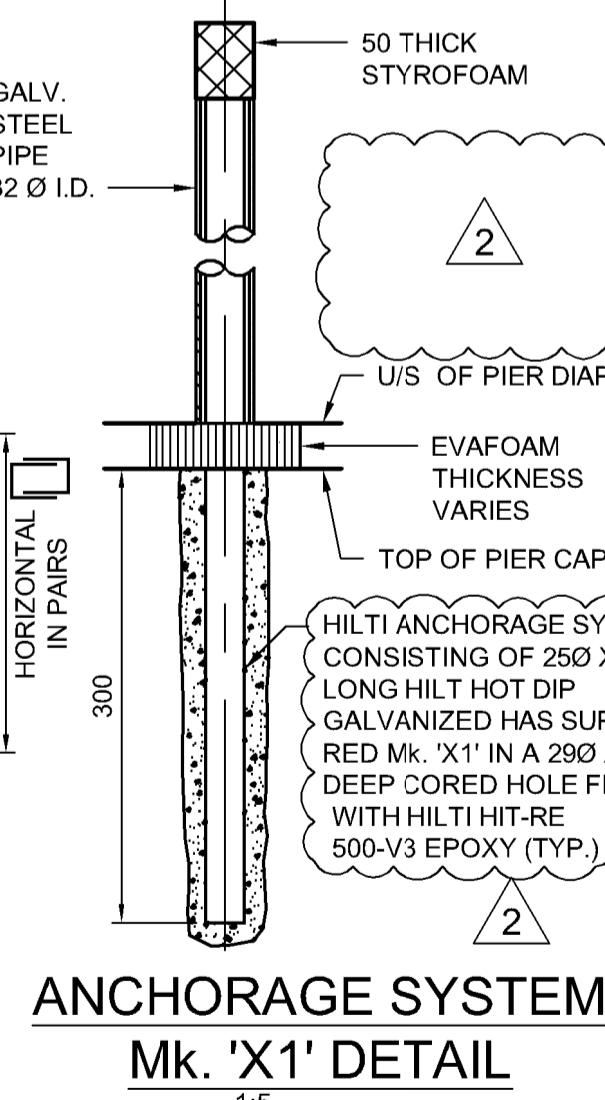


**REINFORCING ARRANGEMENT**  
1:15

DIAPHRAGM REINFORCEMENT					
Mk. NO.	QTY.	BOTTOM	HORIZONTAL	STIRRUPS	EXTRA
'PD1'	8	4-PD1901S	3-PD1902S IN PAIRS	8-PD1601S IN PAIRS	
'PD2'	4	4-PD1903S	3-PD1904S IN PAIRS	7-PD1601S IN PAIRS	
'PD3'	8	4-PD1905S	3-PD1906S IN PAIRS	11-PD1602S IN PAIRS	
'PD4'	4	4-PD1907S	5-PD1908S IN PAIRS	9-PD1603S IN PAIRS	4-PD1604S



**APEGM**  
Certificate of Authorization  
Dillon Consulting Limited (MB)  
No. 1789 Date: 2018/02/09

NO.	REVISIONS	DATE	BY
1	ADDENDUM #2	18/02/22	DRA
0	ISSUED FOR TENDER	18/02/09	DRA

**DILLON CONSULTING**  
DESIGNED BY: MS  
DRAWN BY: NBG  
CHECKED BY: SSR  
APPROVED BY: MBL  
HOR. SCALE: AS SHOWN  
VERTICAL: AS SHOWN  
RELEASED FOR CONSTRUCTION  
DATE: 2018/02/09

**THE CITY OF WINNIPEG PUBLIC WORKS DEPARTMENT**  
Winnipeg  
FERMOR AVENUE BRIDGE OVER SEINE RIVER  
BRIDGE REHABILITATION, PEDESTRIAN-CYCLIST UNDERPASS STRUCTURE AND ROADWORKS FROM ST. ANNE'S ROAD TO ARCHIBALD STREET  
CITY DRAWING NUMBER: B-118-2017-CS-032  
SHEET OF: 032 OF 100  
CONSULTANT DRAWING NUMBER: CS-032

**ENGINEER'S SEAL**  
PROVINCE OF MANITOBA  
REGISTERED PROFESSIONAL ENGINEER  
D.R.C. AMORIM  
Member 33215  
CONSULTANT PROJECT NUMBER: 17-5932