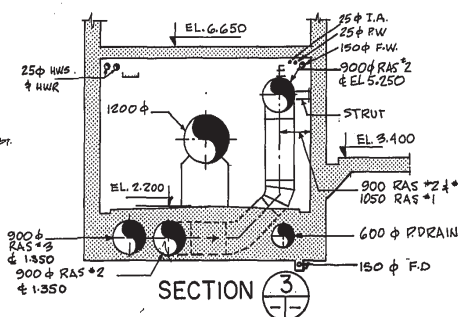
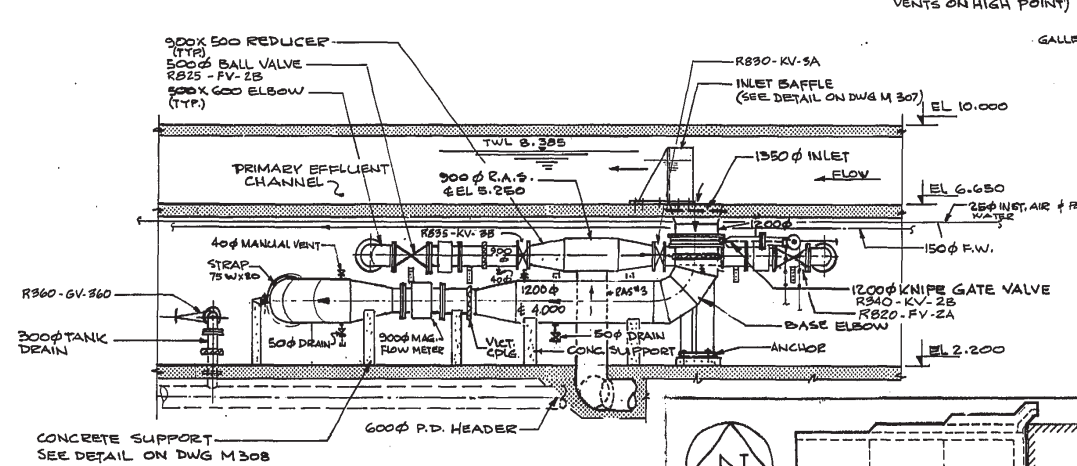
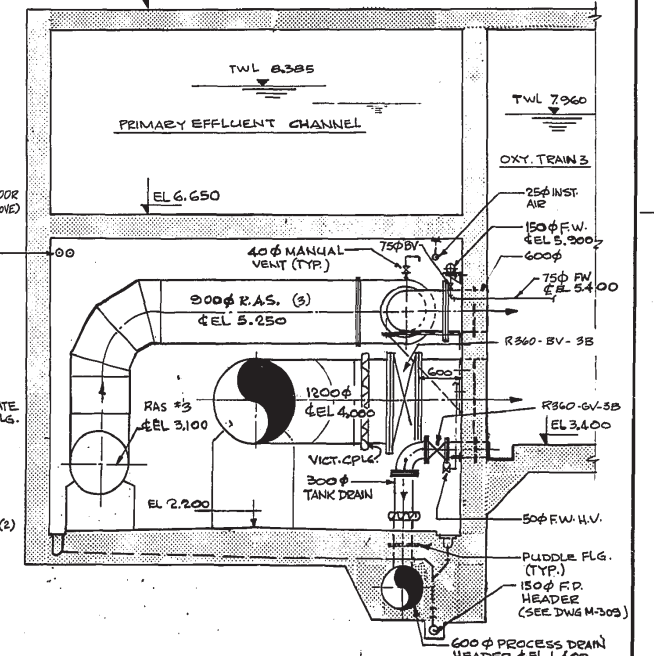
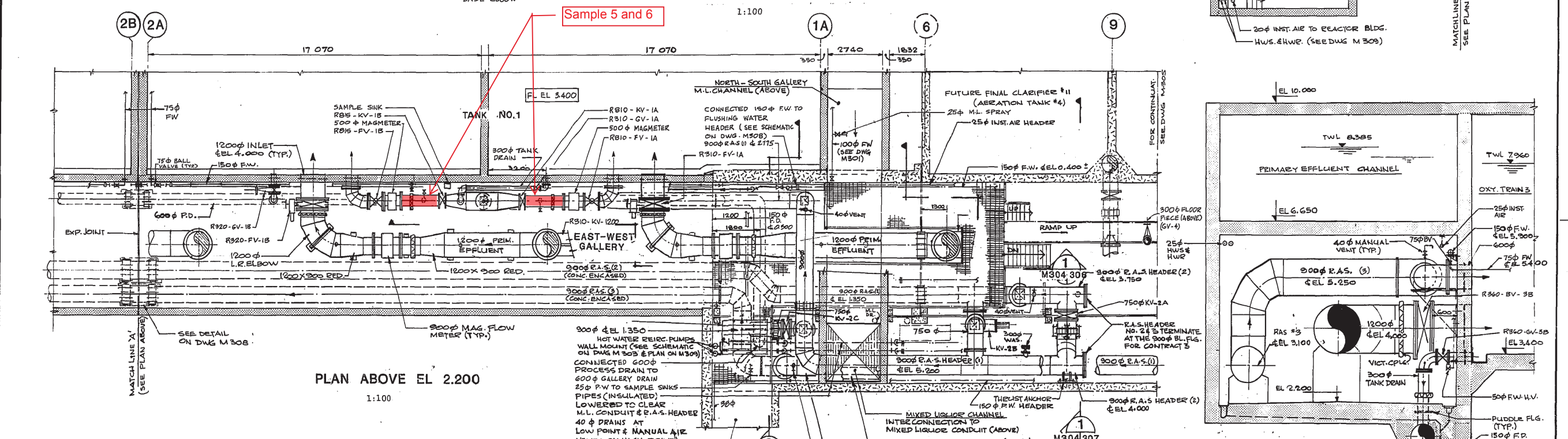
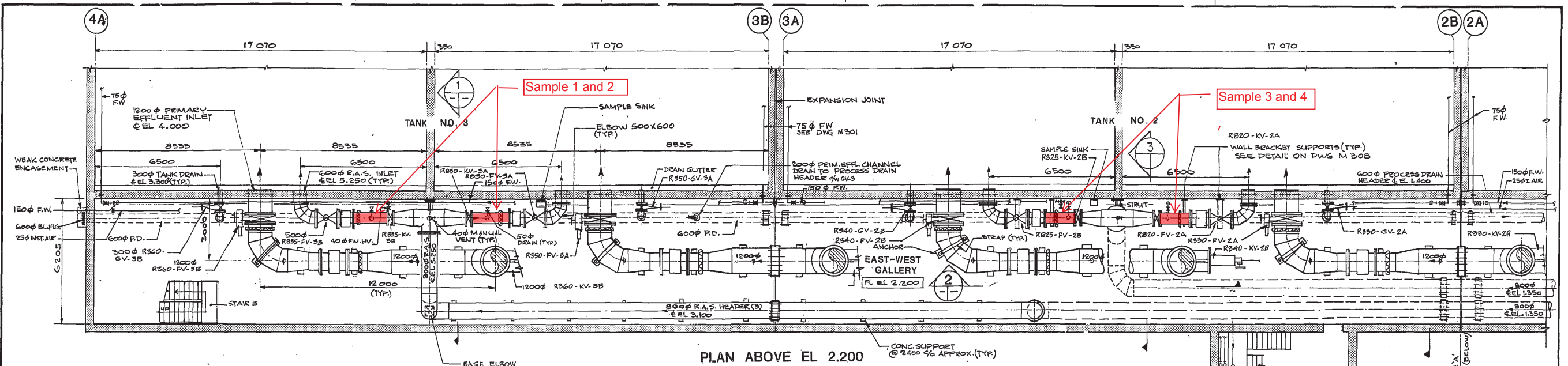
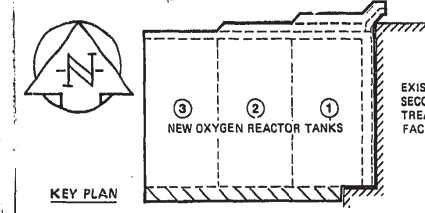


REF. OF DRAWING NO. NFP 1080
 DETAILS E-W GALLERY EL.



DESCRIPTION	SHOP DRAWING REFERENCE	SUPPLIER	NUMBER
Dresser Coupling	ITT Grinnell		2434
Welding Specs. - Submerged & Shielded Metal Arc	Westeel Rosco		2435-2440
Pipe Fabrication Details	Westeel Rosco		2441-2462
Welding Specs.	AJP Eng. Serv.		2463
Exp. Jt. Tie-Rod Bracket	Comstock		2464
Iron Gate Valves	Kennedy Valve		2465
1200 ϕ Butterfly Valve	Jenkins		2321
Ball Valve Details (300 & 500 ϕ)	Pratt		2321
Wedge Gate Valves (450, 500, 750 & 1200 ϕ)	Eilett		2365
Welding Spec.	AJP Eng. Serv.		2466
Rovalve Warranty	Atlas Alloys		2467
Sample Sink	Arista-Newman		2465

REVISED AS CONSTRUCTED
 DATE JULY 1985 BY C.A.
 CHECKED BY S. Alliani



METRIC
 WHOLE NUMBERS INDICATE MILLIMETRES,
 DECIMALIZED NUMBERS INDICATE METRES

NO.	REVISIONS	DATE	APP.
1	REVISED TO AS-BUILT	05-07-82	C.A.
1	ISSUED FOR TENDER	02-12-06	
2	ISSUED FOR CITY REVIEW	02-10-15	



W.L. WARDROP & ASSOCIATES LTD.
 MacLAREN ENGINEERS INC.
 DESIGNED BY: RDS/V.M.
 DRAWN BY: H.S.
 CHECKED BY: ROJ/GAA/FB
 DATE: 02.10.08
 APPROVED BY: [Signature]
 DATE: Dec/82

THE CITY OF WINNIPEG
 WORKS & OPERATIONS DIVISION
 WATERWORKS, WASTE & DISPOSAL DEPARTMENT

NORTH END WATER POLLUTION CONTROL CENTRE
 SECONDARY TREATMENT EXPANSION
 OXYGEN REACTOR TANKS
 MECHANICAL EAST-WEST GALLERY
 PLANS ABOVE EL 2.200 & SECTIONS
 RELEASED FOR CONSTRUCTION DATE: 02/28/82
 SCALE: AS SHOWN
 DRAWING NO: NFP 1080