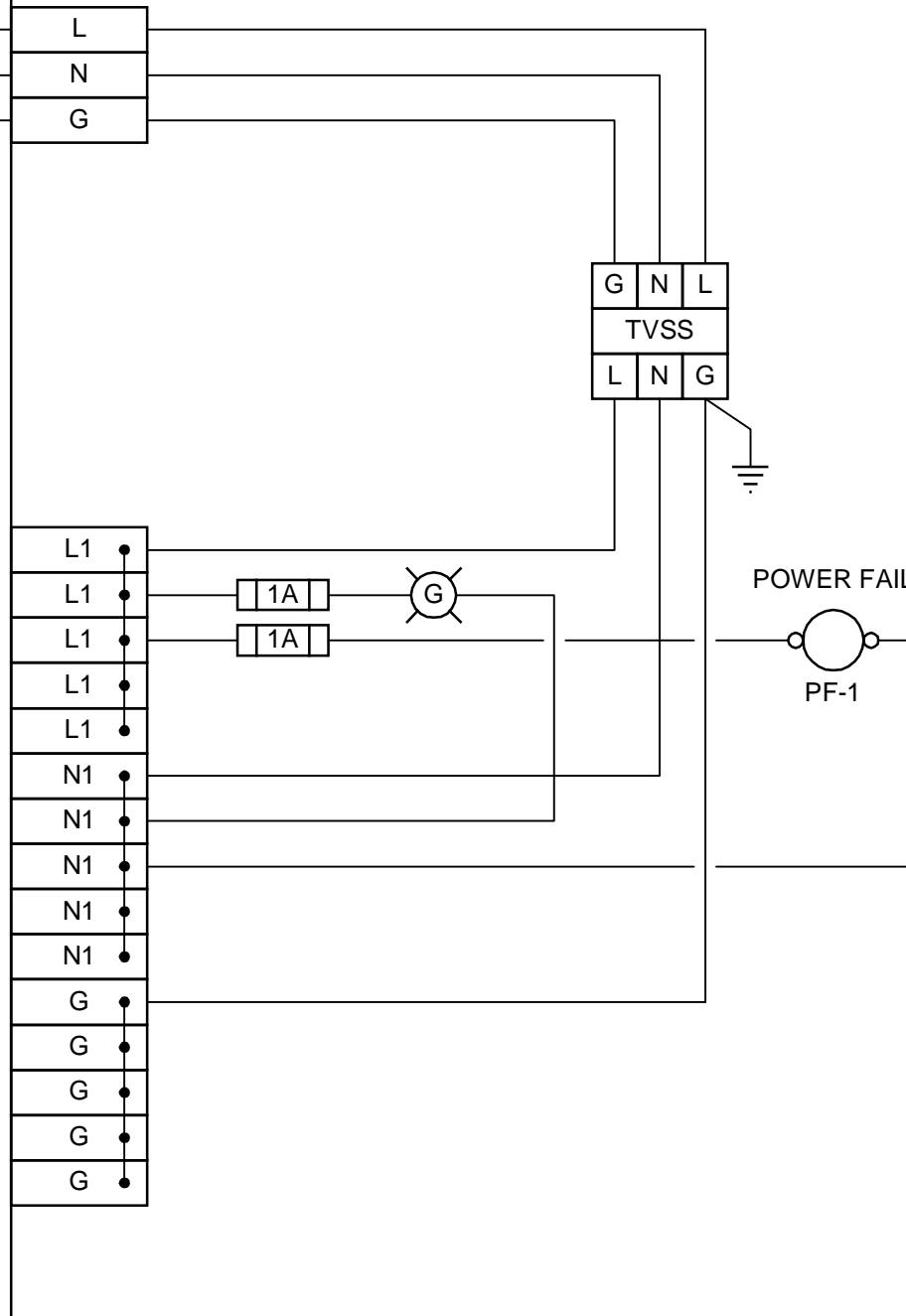


FIELD

CONTROL PANEL

SCADAPACK 357E 5606 I/O BOARD 350 CPU


15A
120 VAC
PNL-010-04



File Name: c:\project\wise\working directory\active\40sk\40462543175009-21-mccarthy-loops.dwg

NO.	REVISION	DATE	BY
0	ISSUED FOR BID OP 634-2017	17/11/23	B.L.M.


DILLON CONSULTING
 DATE: 17/07/06 PROJECT No. 175009


THE CITY OF WINNIPEG
 WATER AND WASTE DEPARTMENT
 ENGINEERING DIVISION

DESIGNED BY
 B.L.M.
 DRAWN BY
 S.C.K.

CHECKED BY
 B.L.M.
 APPROVED BY

2017 REHABILITATION OF PUBLIC WATER SERVICE
 OUTLETS: PAVEMENT WORKS, BUILDING SUPPLY
 AND REPAIRS, DEMOLITION AND ELECTRICAL
**McCARTHY STREET 120 VAC POWER
 LOOP DIAGRAM**

SHEET 25 OF 33
 CITY DRAWING NUMBER
 D-14931