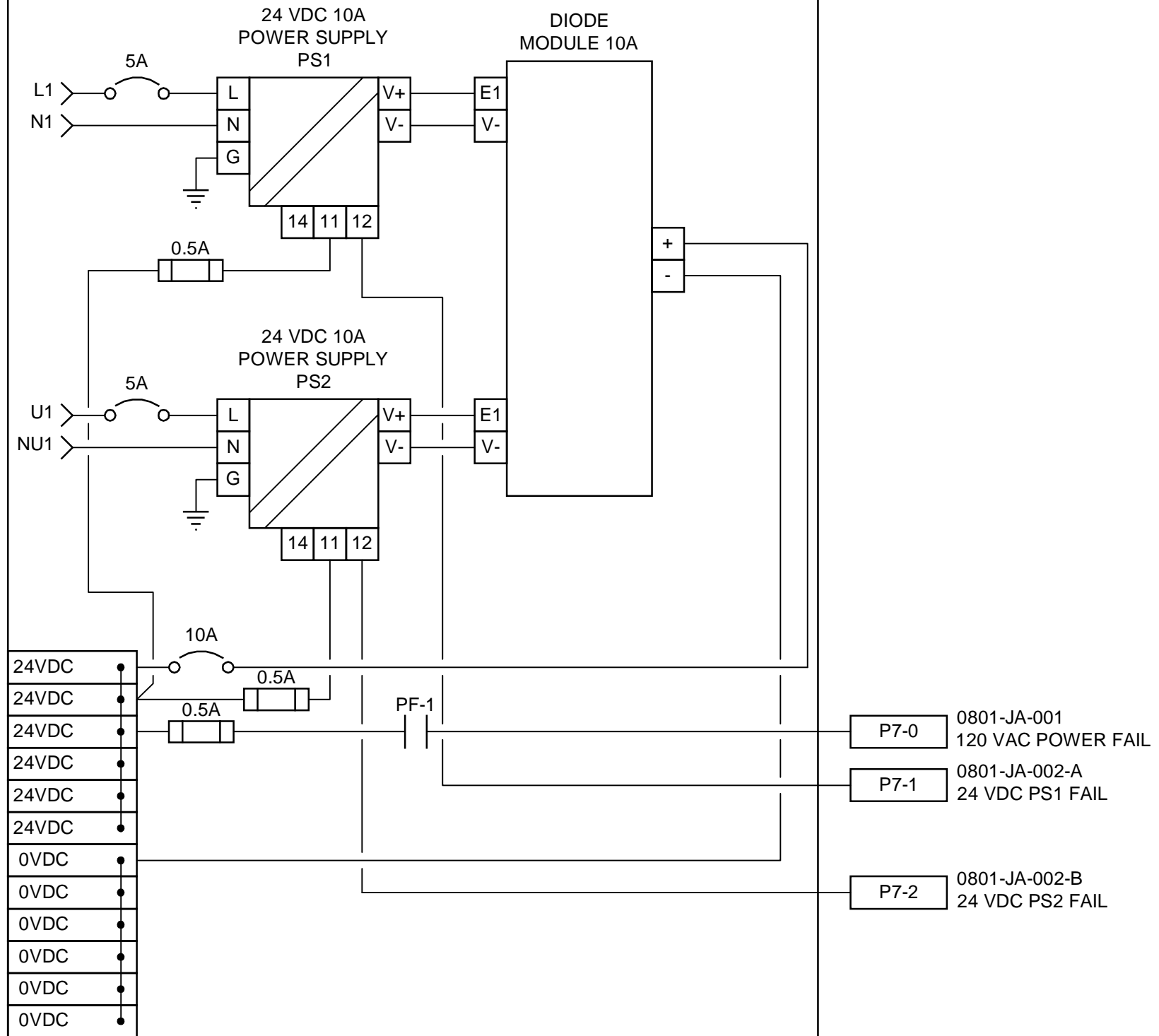


FIELD

CONTROL PANEL

SCADAPACK 357E 5606 I/O BOARD 350 CPU




- P7-0 0801-JA-001  
120 VAC POWER FAIL
- P7-1 0801-JA-002-A  
24 VDC PS1 FAIL
- P7-2 0801-JA-002-B  
24 VDC PS2 FAIL

File Name: c:\project\wise\working directory\active\40sk\40462543175009-13 chevrier-loops.dwg

NO.	REVISION	DATE	BY
0	ISSUED FOR BID OP 634-2017	17/11/23	B.L.M.

  
**DILLON**  
 CONSULTING  
 DATE: 17/07/06 PROJECT No. 175009

  
**THE CITY OF WINNIPEG**  
 WATER AND WASTE DEPARTMENT  
 ENGINEERING DIVISION

DESIGNED BY	CHECKED BY
B.L.M.	B.L.M.
DRAWN BY	APPROVED BY
S.C.K.	

2017 REHABILITATION OF PUBLIC WATER SERVICE  
 OUTLETS: PAVEMENT WORKS, BUILDING SUPPLY  
 AND REPAIRS, DEMOLITION AND ELECTRICAL  
**CHEVRIER BLVD. 24 VDC POWER  
 LOOP DIAGRAM**

SHEET 16 OF 33
CITY DRAWING NUMBER
D-14922