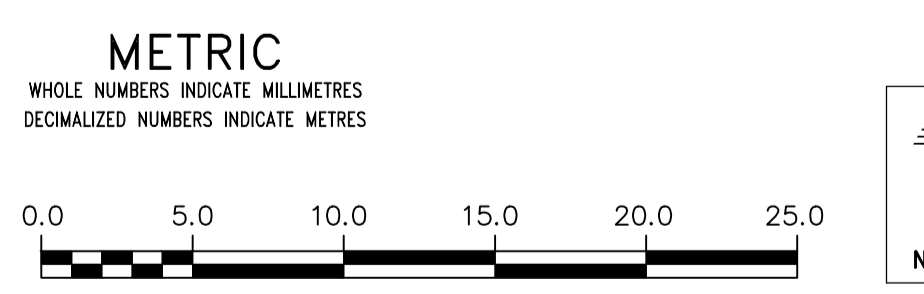
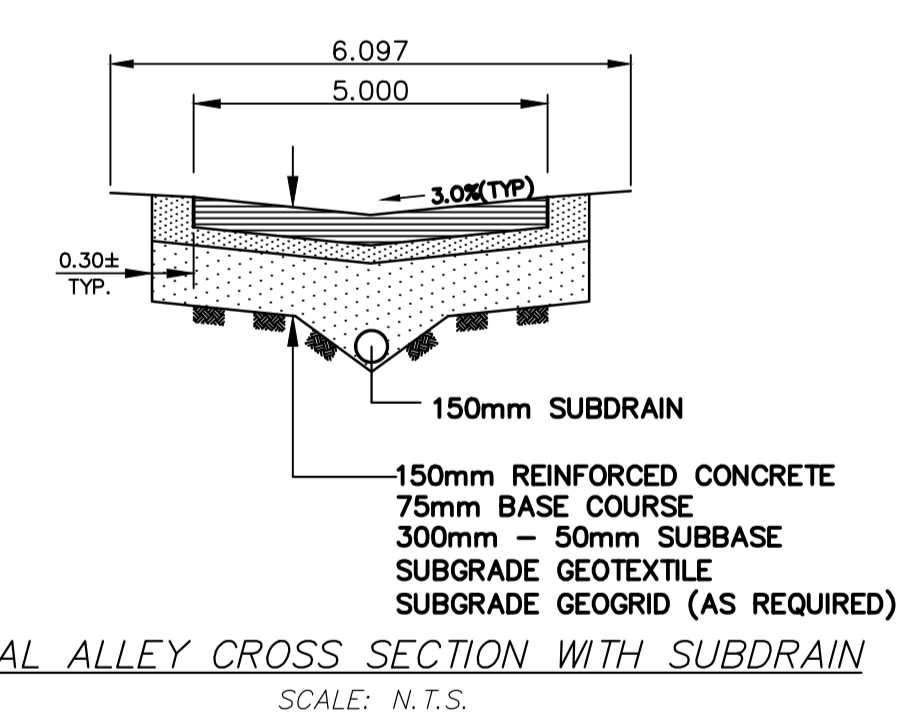
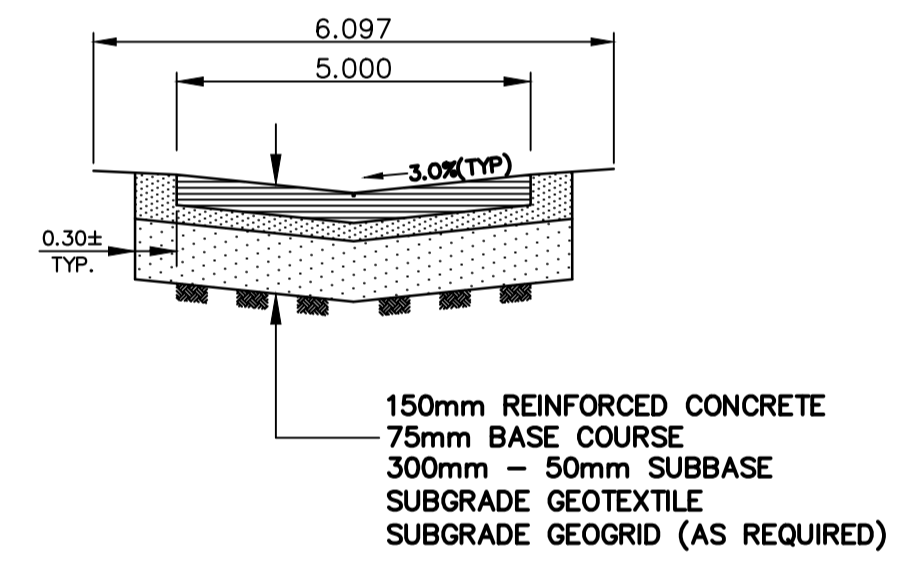
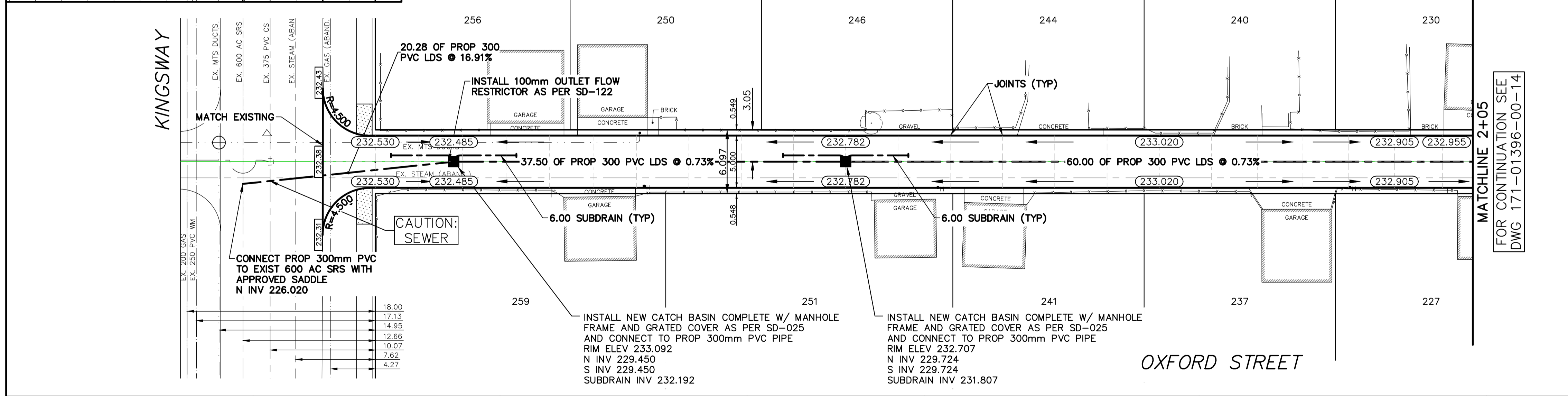


- NOTES:**
- ISOLATE EXISTING HYDRO POLES AS DIRECTED BY CONTRACT ADMINISTRATOR
 - RENEW EXISTING APPROACHES AND SIDEWALK AS DIRECTED BY CONTRACT ADMINISTRATOR
 - ADDITIONAL EXCAVATION AND INSTALLATION OF SUBGRADE GEOGRID TO BE DETERMINED BY CONTRACT ADMINISTRATOR
 - ADJUSTMENTS TO PROPOSED CROSSFALL, WHERE REQUIRED, ARE TO BE DETERMINED BY CONTRACT ADMINISTRATOR TO SUIT EXISTING DRIVEWAYS, APPROACHES, ETC.
 - LIGHT STANDARDS, HYDROPOLES, AND ANCHORS MAY REQUIRE SUPPORT AND/OR REMOVAL AND REPLACEMENT AT CONTRACTORS EXPENSE



EXISTING	LEGEND - PLAN	PROPOSED	EXISTING	LEGEND - PLAN	PROPOSED	EXISTING	LEGEND - PROFILE	PROPOSED
---	WATERMAIN	---	---	GAS	---	---	150 MM	---
---	HYDRANT	---	---	M.T.S.	---	---	VALVE	---
---	VALVE	---	---	TRAFFIC SIGNALS	---	---	LAND DRAINAGE SEWER	---
---	CURB STOP	---	---	CONCRETE/ASPHALT	---	---	WASTE WATER SEWER	---
---	LAND DRAINAGE SEWER	---	---	SIDEWALK	---	---	CENTERLINE	---
---	WASTE WATER SEWER	---	---	CURB RAMP	---	---	SOUTH & EAST GUTTER	---
---	CB LEAD	---	---	ELEVATIONS (32.00)	---	---	NORTH & WEST GUTTER	---
---	MANHOLE	---	---	PROPERTY LINE	---	---	S & E GARAGE PAD	---
---	CATCH BASIN	---	---	SURVEY BAR	---	---	N & W GARAGE PAD	---
---	CURB INLET	---	---		---	---		---
---	HYDRO	---	---		---	---		---

LOCATION APPROVED UNDERGROUND STRUCTURES

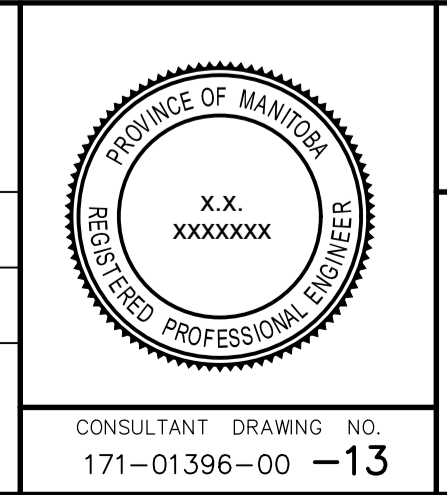
SUPV.	U/G	STRUCTURES	DATE
---	---	---	---

NOTE:
LOCATION OF UNDERGROUND STRUCTURES AS SHOWN ARE BASED ON THE BEST INFORMATION AVAILABLE BUT NO GUARANTEE IS GIVEN THAT ALL EXISTING UTILITIES ARE SHOWN OR THAT THE GIVEN LOCATIONS ARE EXACT. CONFIRMATION OF EXISTENCE AND EXACT LOCATION OF ALL SERVICES MUST BE OBTAINED FROM THE INDIVIDUAL UTILITIES BEFORE PROCEEDING WITH CONSTRUCTION.

B.M. ELEV.

---	---	---	---
---	---	---	---

DESIGNED BY	R.H.	CHECKED BY	R.H.
---	---	---	---
---	---	---	---
---	---	---	---
---	---	---	---
---	---	---	---
---	---	---	---
---	---	---	---
---	---	---	---
---	---	---	---



THE CITY OF WINNIPEG
PUBLIC WORKS DEPARTMENT
FINANCE NO.

2017 ALLEY RENEWALS - CONTRACT 1
WAVERLEY STREET/OXFORD STREET ALLEY
FROM KINGSWAY TO MATCHLINE AT 2+05

CITY DRAWING NO. SHEET 1 OF 3
CONCRETE PAVEMENT
BID OPPORTUNITY