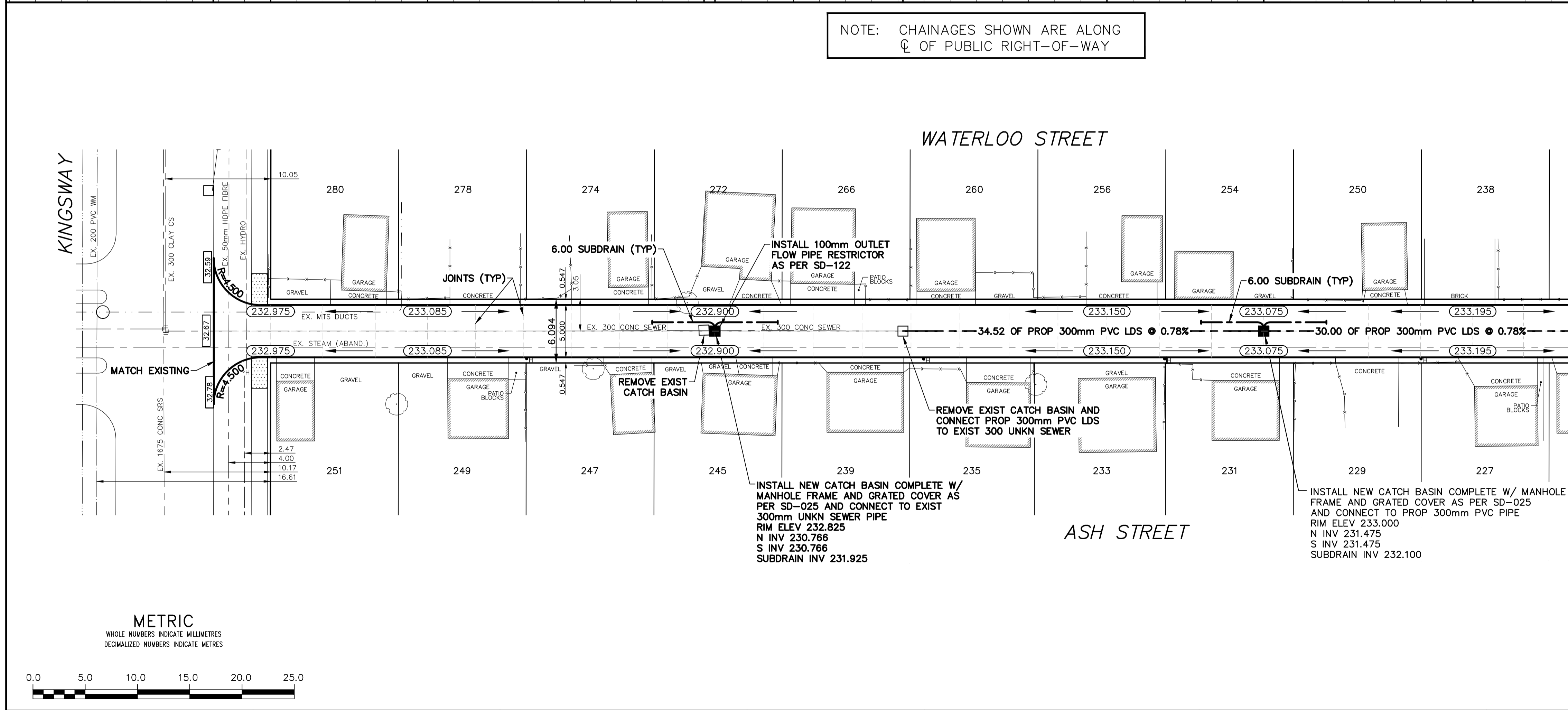
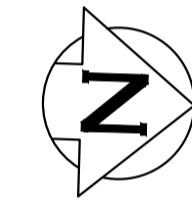
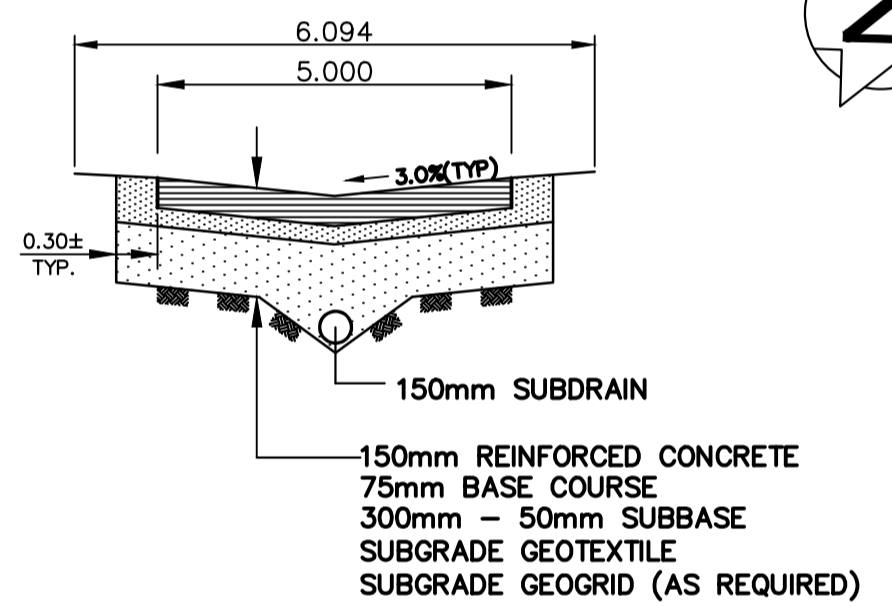


- NOTES:**
- ISOLATE EXISTING HYDRO POLES AS DIRECTED BY CONTRACT ADMINISTRATOR
  - RENEW EXISTING APPROACHES AND SIDEWALK AS DIRECTED BY CONTRACT ADMINISTRATOR
  - ADDITIONAL EXCAVATION AND INSTALLATION OF SUBGRADE GEOGRID TO BE DETERMINED BY CONTRACT ADMINISTRATOR
  - ADJUSTMENTS TO PROPOSED CROSSFALL, WHERE REQUIRED, ARE TO BE DETERMINED BY CONTRACT ADMINISTRATOR TO SUIT EXISTING DRIVEWAYS, APPROACHES, ETC.
  - LIGHT STANDARDS, HYDROPOLES, AND ANCHORS MAY REQUIRE SUPPORT AND/OR REMOVAL AND REPLACEMENT AT CONTRACTORS EXPENSE

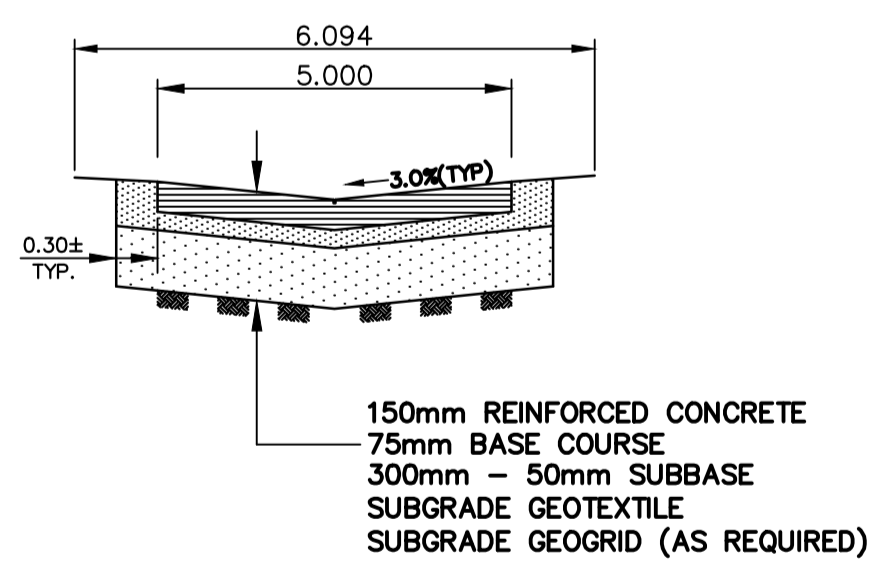
NOTE: CHAINAGES SHOWN ARE ALONG  $\phi$  OF PUBLIC RIGHT-OF-WAY



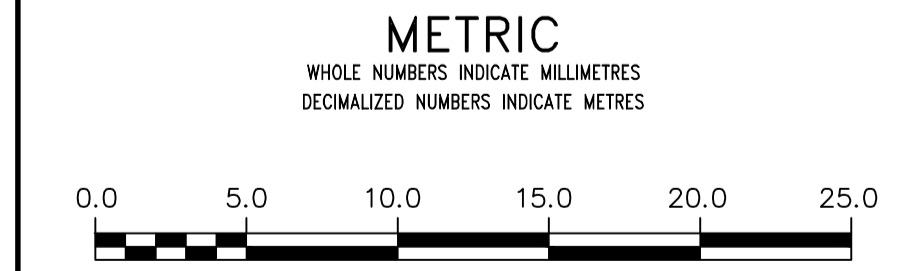
MATCHLINE 2+25 FOR CONTINUATION SEE DWG 171-01396-00-11



TYPICAL ALLEY CROSS SECTION WITH SUBDRAIN  
SCALE: N.T.S.



TYPICAL ALLEY CROSS SECTION  
SCALE: N.T.S.



EXISTING	LEGEND - PLAN	PROPOSED	EXISTING	LEGEND - PLAN	PROPOSED	EXISTING	LEGEND - PROFILE	PROPOSED
	WATERMAIN			GAS M.T.S.			WATERMAIN	150 MM
	HYDRANT			VALVE			LAND DRAINAGE SEWER	300 LDS
	VALVE			CONCRETE/ASPHALT			WASTE WATER SEWER	250 WWS
	CURB STOP			SIDEWALK			CENTERLINE	
	LAND DRAINAGE SEWER			CURB RAMP			SOUTH & EAST GUTTER	
	WASTE WATER SEWER			CB LEAD			NORTH & WEST GUTTER	
	MANHOLE			PROPERTY LINE			S & E GARAGE PAD	
	CATCH BASIN			SURVEY BAR			N & W GARAGE PAD	
	CURB INLET							
	HYDRO							

LOCATION APPROVED UNDERGROUND STRUCTURES

SUPV. U/G STRUCTURES COMMITTEE DATE

NOTE: LOCATION OF UNDERGROUND STRUCTURES AS SHOWN ARE BASED ON THE BEST INFORMATION AVAILABLE BUT NO GUARANTEE IS GIVEN THAT ALL EXISTING UTILITIES ARE SHOWN OR THAT THE GIVEN LOCATIONS ARE EXACT. CONFIRMATION OF EXISTENCE AND EXACT LOCATION OF ALL SERVICES MUST BE OBTAINED FROM THE INDIVIDUAL UTILITIES BEFORE PROCEEDING WITH CONSTRUCTION.

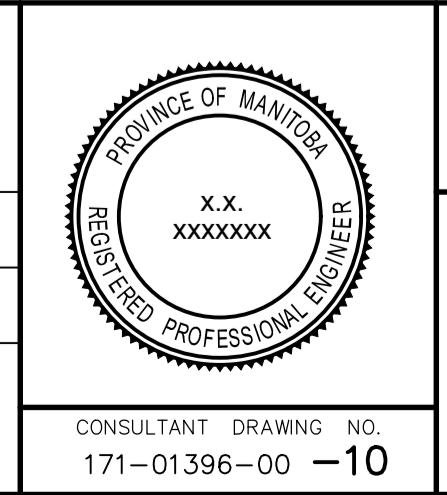
B.M. ELEV.			
---	---	---	---
---	---	---	---
---	---	---	---
---	---	---	---
---	---	---	---
---	---	---	---
---	---	---	---
---	---	---	---
---	---	---	---
---	---	---	---

111-93 Lombard Avenue  
Winnipeg, Manitoba  
R3B 3B1 Canada  
Phone: 204-943-3178  
Fax: 204-943-4948  
wsp.com

DESIGNED BY: A.B. CHECKED BY: R.H.  
DRAWN BY: K.G. APPROVED BY: S.M.

HOR. SCALE: 1:250  
VERT. SCALE: 1:25

RELEASED FOR CONSTRUCTION



**THE CITY OF WINNIPEG**  
PUBLIC WORKS DEPARTMENT

2017 ALLEY RENEWALS - CONTRACT 1  
WATERLOO STREET/ASH STREET ALLEY  
FROM KINGSWAY TO MATCHLINE AT 2+25

CITY DRAWING NO. SHEET 1 OF 3  
BID OPPORTUNITY

CONCRETE PAVEMENT

