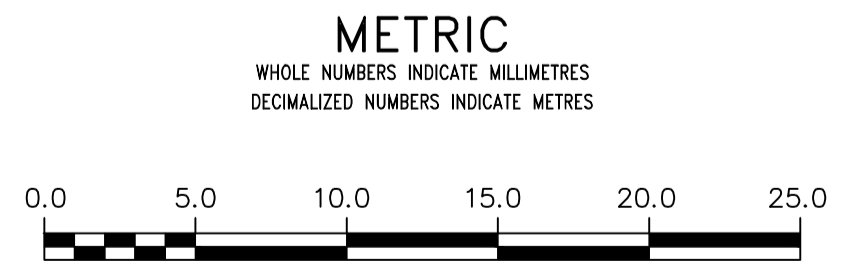
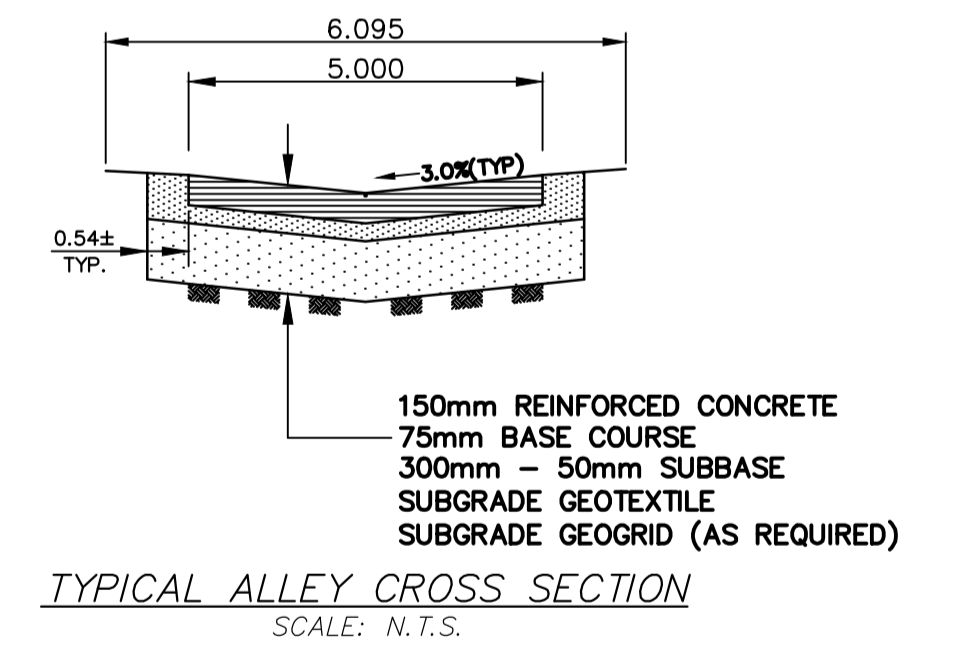
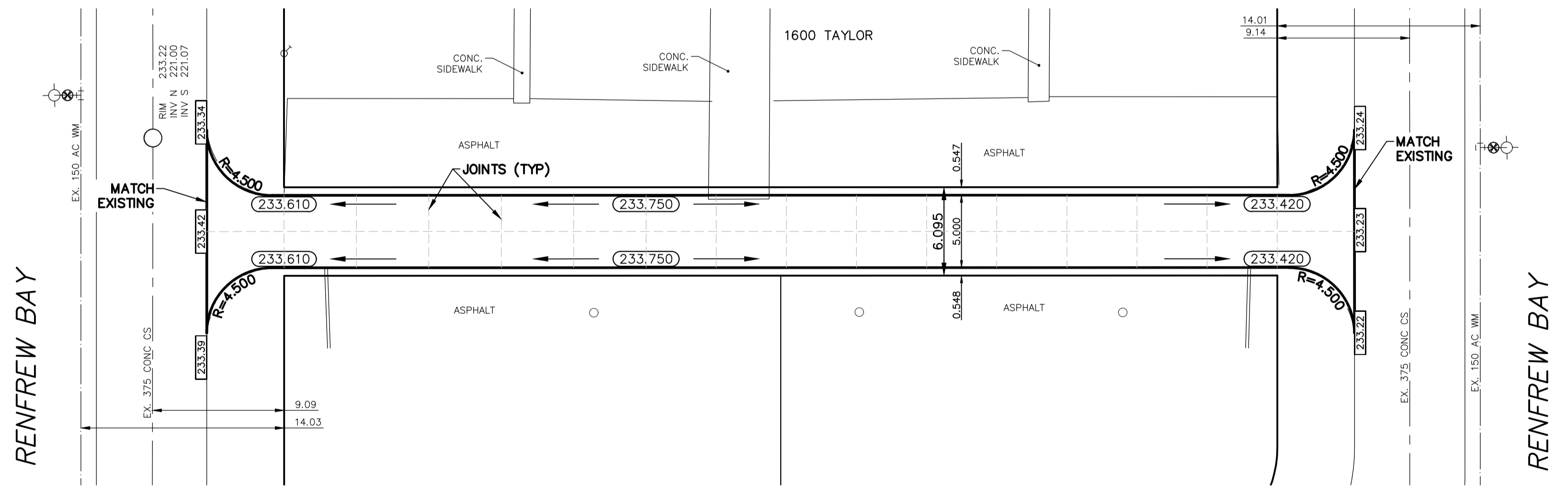


- NOTES:**
- ISOLATE EXISTING HYDRO POLES AS DIRECTED BY CONTRACT ADMINISTRATOR
 - RENEW EXISTING APPROACHES AND SIDEWALK AS DIRECTED BY CONTRACT ADMINISTRATOR
 - ADDITIONAL EXCAVATION AND INSTALLATION OF SUBGRADE GEOGRID TO BE DETERMINED BY CONTRACT ADMINISTRATOR
 - ADJUSTMENTS TO PROPOSED CROSSFALL, WHERE REQUIRED, ARE TO BE DETERMINED BY CONTRACT ADMINISTRATOR TO SUIT EXISTING DRIVEWAYS, APPROACHES, ETC.
 - LIGHT STANDARDS, HYDROPOLES, AND ANCHORS MAY REQUIRE SUPPORT AND/OR REMOVAL AND REPLACEMENT AT CONTRACTORS EXPENSE

NOTE: CHAINAGES SHOWN ARE ALONG ϕ OF PUBLIC RIGHT-OF-WAY



<table border="1"> <tr><td>WATERMAIN</td><td>---</td></tr> <tr><td>HYDRANT</td><td>---</td></tr> <tr><td>VALVE</td><td>---</td></tr> <tr><td>CURB STOP</td><td>---</td></tr> <tr><td>LAND DRAINAGE SEWER</td><td>---</td></tr> <tr><td>WASTE WATER SEWER</td><td>---</td></tr> <tr><td>CB LEAD</td><td>---</td></tr> <tr><td>MANHOLE</td><td>---</td></tr> <tr><td>CATCH BASIN</td><td>---</td></tr> <tr><td>CURB INLET</td><td>---</td></tr> <tr><td>HYDRO</td><td>---</td></tr> </table>	WATERMAIN	---	HYDRANT	---	VALVE	---	CURB STOP	---	LAND DRAINAGE SEWER	---	WASTE WATER SEWER	---	CB LEAD	---	MANHOLE	---	CATCH BASIN	---	CURB INLET	---	HYDRO	---	<table border="1"> <tr><td>GAS</td><td>---</td></tr> <tr><td>M.T.S.</td><td>---</td></tr> <tr><td>TRAFFIC SIGNALS</td><td>---</td></tr> <tr><td>CONCRETE/ASPHALT</td><td>---</td></tr> <tr><td>SIDEWALK</td><td>---</td></tr> <tr><td>CURB RAMP</td><td>---</td></tr> <tr><td>ELEVATIONS</td><td>(32.000)</td></tr> <tr><td>PROPERTY LINE</td><td>---</td></tr> <tr><td>SURVEY BAR</td><td>---</td></tr> </table>	GAS	---	M.T.S.	---	TRAFFIC SIGNALS	---	CONCRETE/ASPHALT	---	SIDEWALK	---	CURB RAMP	---	ELEVATIONS	(32.000)	PROPERTY LINE	---	SURVEY BAR	---	<table border="1"> <tr><td>150 WM</td><td>---</td></tr> <tr><td>300 LDS</td><td>---</td></tr> <tr><td>250 WWS</td><td>---</td></tr> </table>	150 WM	---	300 LDS	---	250 WWS	---	<table border="1"> <tr><td>WATERMAIN</td><td>---</td></tr> <tr><td>VALVE</td><td>---</td></tr> <tr><td>LAND DRAINAGE SEWER</td><td>---</td></tr> <tr><td>WASTE WATER SEWER</td><td>---</td></tr> <tr><td>CENTERLINE</td><td>---</td></tr> <tr><td>SOUTH & EAST GUTTER</td><td>---</td></tr> <tr><td>NORTH & WEST GUTTER</td><td>---</td></tr> <tr><td>S & E GARAGE PAD</td><td>---</td></tr> <tr><td>N & W GARAGE PAD</td><td>---</td></tr> </table>	WATERMAIN	---	VALVE	---	LAND DRAINAGE SEWER	---	WASTE WATER SEWER	---	CENTERLINE	---	SOUTH & EAST GUTTER	---	NORTH & WEST GUTTER	---	S & E GARAGE PAD	---	N & W GARAGE PAD	---
WATERMAIN	---																																																																		
HYDRANT	---																																																																		
VALVE	---																																																																		
CURB STOP	---																																																																		
LAND DRAINAGE SEWER	---																																																																		
WASTE WATER SEWER	---																																																																		
CB LEAD	---																																																																		
MANHOLE	---																																																																		
CATCH BASIN	---																																																																		
CURB INLET	---																																																																		
HYDRO	---																																																																		
GAS	---																																																																		
M.T.S.	---																																																																		
TRAFFIC SIGNALS	---																																																																		
CONCRETE/ASPHALT	---																																																																		
SIDEWALK	---																																																																		
CURB RAMP	---																																																																		
ELEVATIONS	(32.000)																																																																		
PROPERTY LINE	---																																																																		
SURVEY BAR	---																																																																		
150 WM	---																																																																		
300 LDS	---																																																																		
250 WWS	---																																																																		
WATERMAIN	---																																																																		
VALVE	---																																																																		
LAND DRAINAGE SEWER	---																																																																		
WASTE WATER SEWER	---																																																																		
CENTERLINE	---																																																																		
SOUTH & EAST GUTTER	---																																																																		
NORTH & WEST GUTTER	---																																																																		
S & E GARAGE PAD	---																																																																		
N & W GARAGE PAD	---																																																																		
EXISTING	LEGEND -- PLAN	PROPOSED	EXISTING	LEGEND -- PROFILE	PROPOSED																																																														

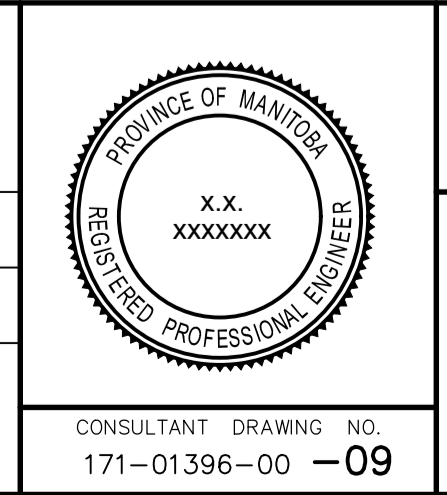
LOCATION APPROVED UNDERGROUND STRUCTURES

SUPV. U/G STRUCTURES DATE COMMITTEE

NOTE:
LOCATION OF UNDERGROUND STRUCTURES AS SHOWN ARE BASED ON THE BEST INFORMATION AVAILABLE BUT NO GUARANTEE IS GIVEN THAT ALL EXISTING UTILITIES ARE SHOWN OR THAT THE GIVEN LOCATIONS ARE EXACT. CONFIRMATION OF EXISTENCE AND EXACT LOCATION OF ALL SERVICES MUST BE OBTAINED FROM THE INDIVIDUAL UTILITIES BEFORE PROCEEDING WITH CONSTRUCTION.

B.M. ELEV.	---	---	---
DESIGNED BY	A.B.	CHECKED BY	R.H.
DRAWN BY	A.B.	APPROVED BY	S.M.
3 ISSUED FOR TENDER	7/05/24 R.H.	RELEASED FOR CONSTRUCTION	---
2 80% DESIGN REVIEW	7/04/05 A.B.		
1 PROPOSED LDS ALIGNMENT	7/03/27 A.B.		

111-83 Lombard Avenue
Winnipeg, Manitoba
R2B 3B1 Canada
Phone: 204-943-3178
Fax: 204-943-4948
wsp.com



THE CITY OF WINNIPEG
PUBLIC WORKS DEPARTMENT

2017 ALLEY RENEWALS -- CONTRACT 1
RENFWREW BAY EAST LEG/RENFWREW BAY WEST LEG ALLEY FROM RENFWREW BAY EAST TO RENFWREW BAY WEST
CONCRETE PAVEMENT

CITY DRAWING NO. SHEET 1 OF 1
BID OPPORTUNITY

