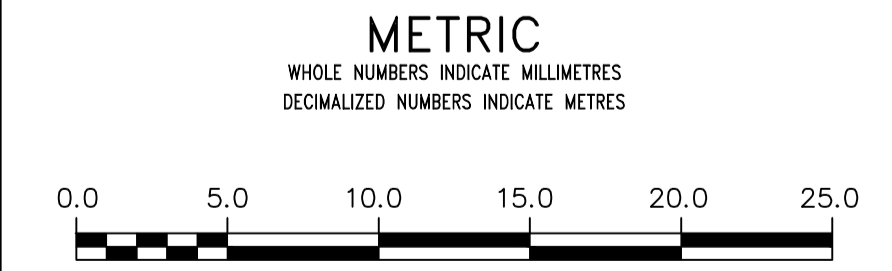
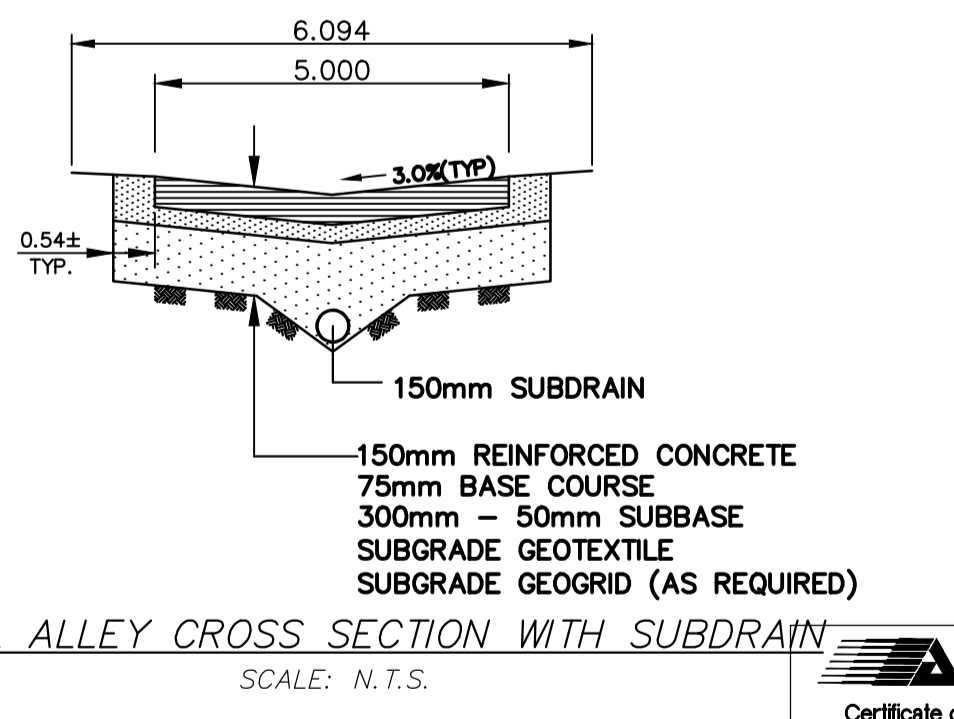
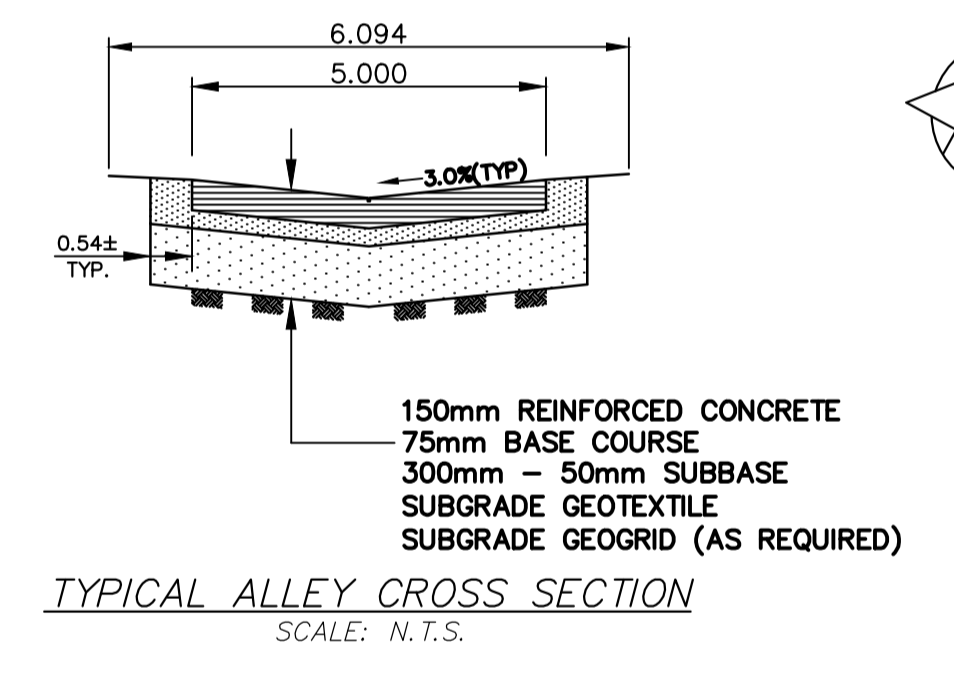
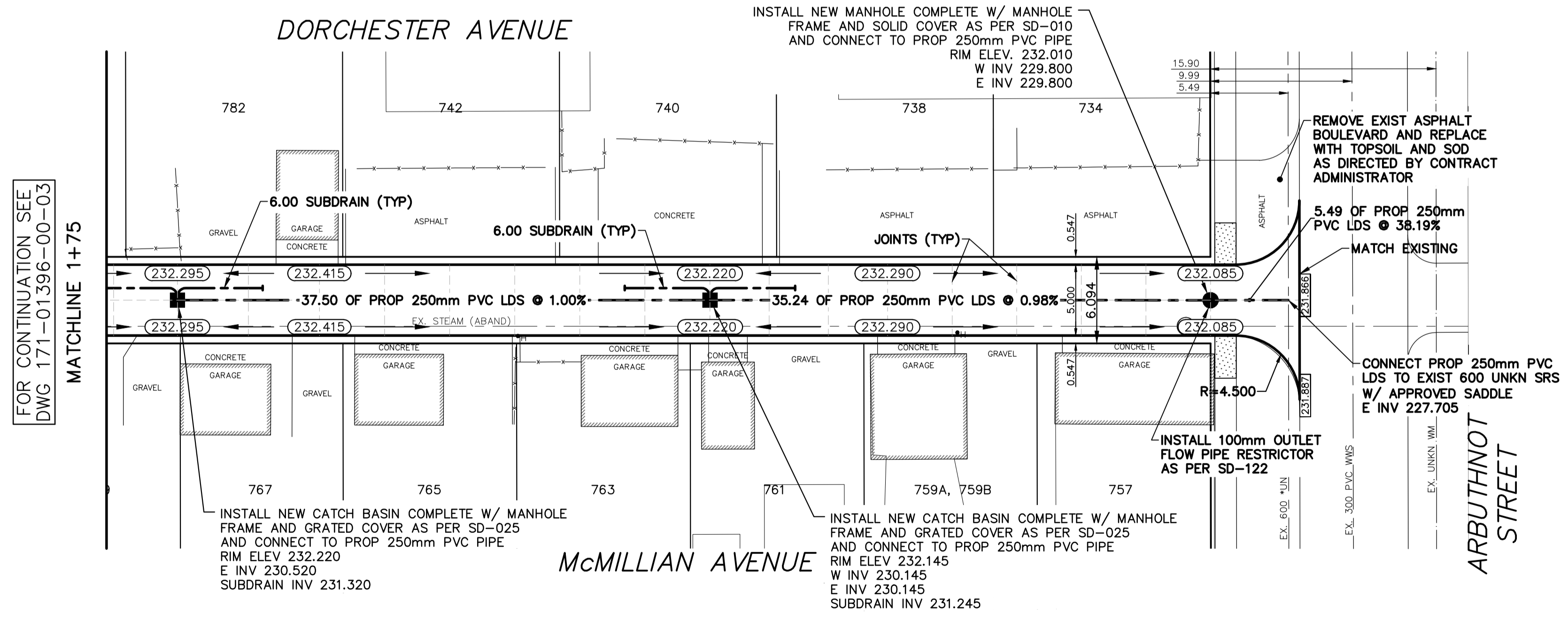


- NOTES:**
- ISOLATE EXISTING HYDRO POLES AS DIRECTED BY CONTRACT ADMINISTRATOR
  - RENEW EXISTING APPROACHES AND SIDEWALK AS DIRECTED BY CONTRACT ADMINISTRATOR
  - ADDITIONAL EXCAVATION AND INSTALLATION OF SUBGRADE GEOGRID TO BE DETERMINED BY CONTRACT ADMINISTRATOR
  - ADJUSTMENTS TO PROPOSED CROSSFALL, WHERE REQUIRED, ARE TO BE DETERMINED BY CONTRACT ADMINISTRATOR TO SUIT EXISTING DRIVEWAYS, APPROACHES, ETC.
  - LIGHT STANDARDS, HYDROPOLES, AND ANCHORS MAY REQUIRE SUPPORT AND/OR REMOVAL AND REPLACEMENT AT CONTRACTORS EXPENSE

NOTE: CHAINAGES SHOWN ARE ALONG  
 CL OF PUBLIC RIGHT-OF-WAY



EXISTING	LEGEND - PLAN	PROPOSED	EXISTING	LEGEND - PLAN	PROPOSED	EXISTING	LEGEND - PROFILE	PROPOSED
⊕	WATERMAIN	⊕	⊕	GAS	⊕	⊕	WATERMAIN	⊕
⊕	HYDRANT	⊕	⊕	M.T.S.	⊕	⊕	VALVE	⊕
⊕	VALVE	⊕	⊕	TRAFFIC SIGNALS	⊕	⊕	LAND DRAINAGE SEWER	⊕
⊕	CURB STOP	⊕	⊕	CONCRETE/ASPHALT	⊕	⊕	WASTE WATER SEWER	⊕
⊕	LAND DRAINAGE SEWER	⊕	⊕	SIDEWALK	⊕	⊕	CENTERLINE	⊕
⊕	WASTE WATER SEWER	⊕	⊕	CURB RAMP	⊕	⊕	SOUTH & EAST GUTTER	⊕
⊕	CB LEAD	⊕	⊕	ELEVATIONS	⊕	⊕	NORTH & WEST GUTTER	⊕
⊕	MANHOLE	⊕	⊕	PROPERTY LINE	⊕	⊕	S & E GARAGE PAD	⊕
⊕	CATCH BASIN	⊕	⊕	SURVEY BAR	⊕	⊕	N & W GARAGE PAD	⊕
⊕	CURB INLET	⊕	⊕					
⊕	HYDRO	⊕	⊕					

LOCATION APPROVED UNDERGROUND STRUCTURES

SUPV. U/G STRUCTURES DATE COMMITTEE

NOTE: LOCATION OF UNDERGROUND STRUCTURES AS SHOWN ARE BASED ON THE BEST INFORMATION AVAILABLE BUT NO GUARANTEE IS GIVEN THAT ALL EXISTING UTILITIES ARE SHOWN OR THAT THE GIVEN LOCATIONS ARE EXACT. CONFIRMATION OF EXISTENCE AND EXACT LOCATION OF ALL SERVICES MUST BE OBTAINED FROM THE INDIVIDUAL UTILITIES BEFORE PROCEEDING WITH CONSTRUCTION.

B.M.	ELEV.	NO.	DESCRIPTION	DATE	A.B.
---	---	---	---	---	---
---	---	---	---	---	---
---	---	---	---	---	---
---	---	---	---	---	---
---	---	---	---	---	---
---	---	---	---	---	---
---	---	---	---	---	---
---	---	---	---	---	---

**wsp** 111-83 Lombard Avenue  
 Winnipeg, Manitoba  
 R2B 1B1 Canada  
 Phone: 204-943-3178  
 Fax: 204-943-4948  
 wsp.com

DESIGNED BY: K.G.  
 CHECKED BY: R.H.  
 DRAWN BY: A.B.  
 APPROVED BY: S.M.  
 HOR. SCALE: 1:250  
 VERT. SCALE: 1:25  
 RELEASED FOR CONSTRUCTION

**ORIGINAL SIGNED**  
 REGISTERED PROFESSIONAL ENGINEER  
 CONSULTANT DRAWING NO.  
 171-01396-00-04

**THE CITY OF WINNIPEG**  
 PUBLIC WORKS DEPARTMENT

2017 ALLEY RENEWALS - CONTRACT 1  
 DORCHESTER AVENUE/MCMILLAN AVENUE ALLEY  
 FROM MATCHLINE AT 1+75 TO ARBUTHNOT STREET  
 CONCRETE PAVEMENT

CITY DRAWING NO.  
 SHEET 2 OF 2  
 BID OPPORTUNITY  
 379-2017