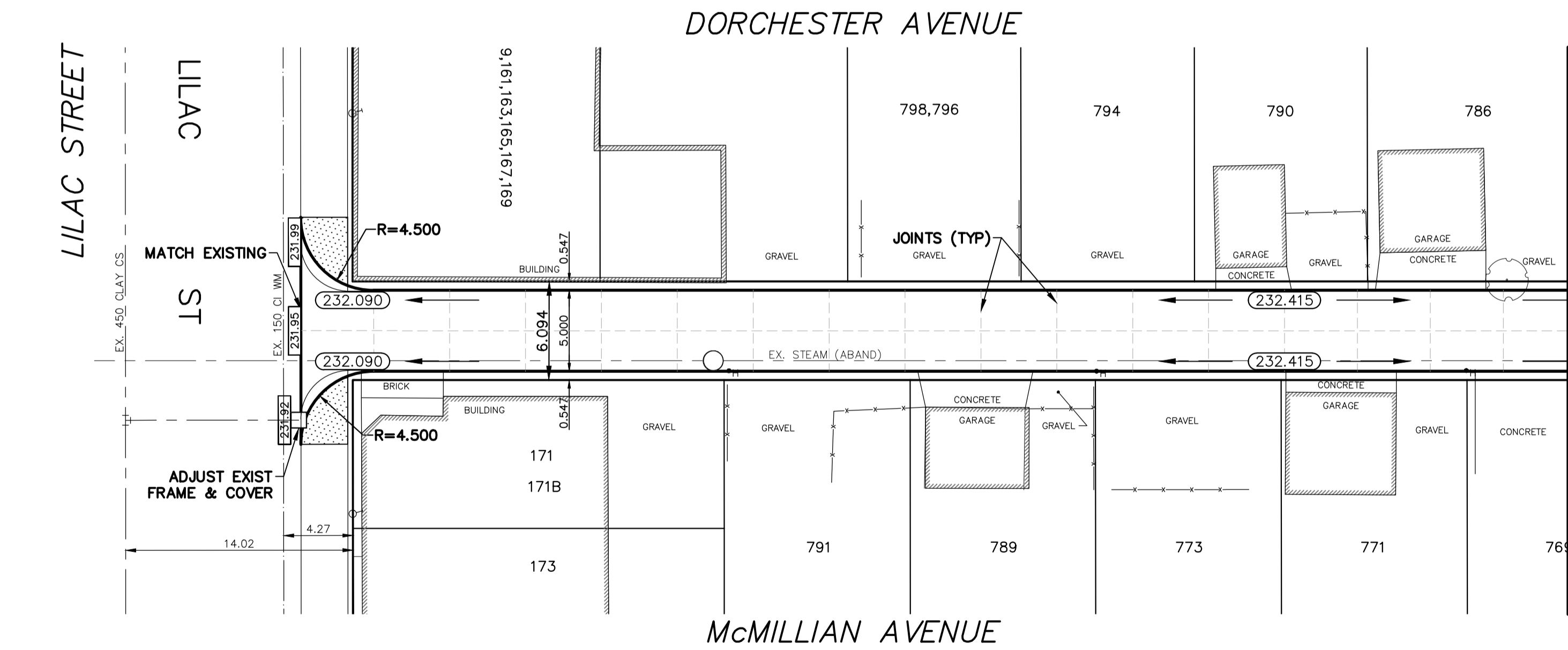
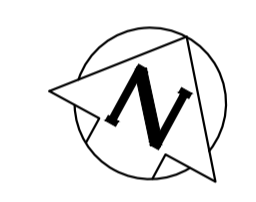
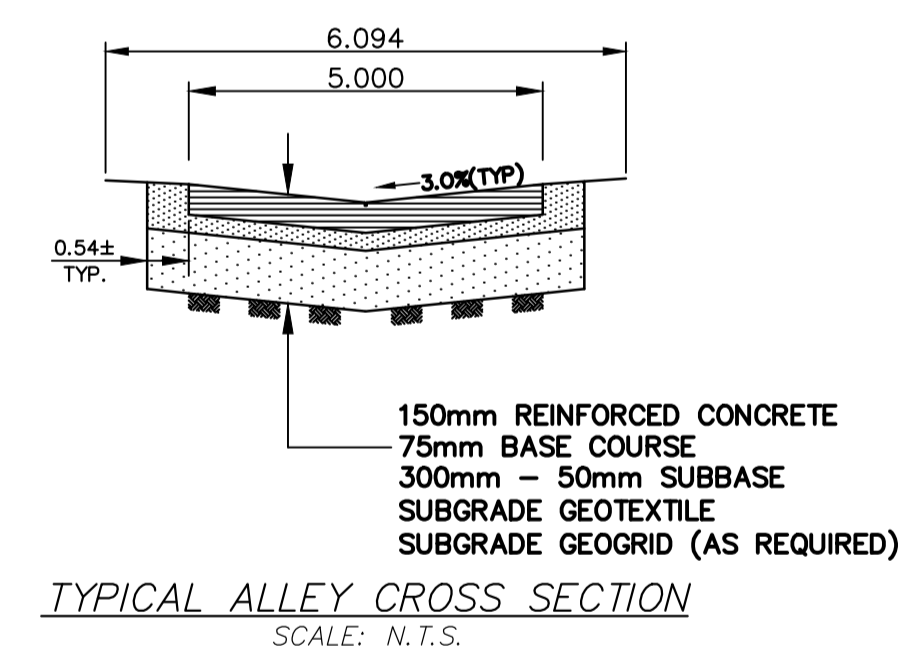


- NOTES:**
- ISOLATE EXISTING HYDRO POLES AS DIRECTED BY CONTRACT ADMINISTRATOR
 - RENEW EXISTING APPROACHES AND SIDEWALK AS DIRECTED BY CONTRACT ADMINISTRATOR
 - ADDITIONAL EXCAVATION AND INSTALLATION OF SUBGRADE GEOGRID TO BE DETERMINED BY CONTRACT ADMINISTRATOR
 - ADJUSTMENTS TO PROPOSED CROSSFALL, WHERE REQUIRED, ARE TO BE DETERMINED BY CONTRACT ADMINISTRATOR TO SUIT EXISTING DRIVEWAYS, APPROACHES, ETC.
 - LIGHT STANDARDS, HYDROPOLES, AND ANCHORS MAY REQUIRE SUPPORT AND/OR REMOVAL AND REPLACEMENT AT CONTRACTORS EXPENSE

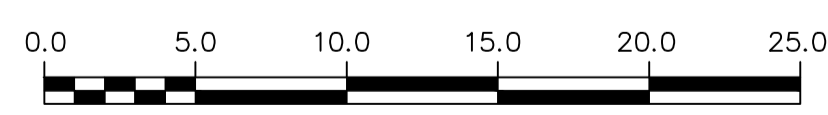
NOTE: CHAINAGES SHOWN ARE ALONG CL OF PUBLIC RIGHT-OF-WAY



MATCHLINE 1+75
FOR CONTINUATION SEE
DWG 171-01396-00-04



METRIC
WHOLE NUMBERS INDICATE MILLIMETRES
DECIMALIZED NUMBERS INDICATE METRES



EXISTING		LEGEND - PLAN		PROPOSED		EXISTING		LEGEND - PROFILE		PROPOSED	
	WATERMAIN		GAS		150 WM		150 WM		300 LDS		300 LDS
	HYDRANT		TRAFFIC SIGNALS		CONCRETE/ASPHALT		CONCRETE/ASPHALT		CENTERLINE		CENTERLINE
	VALVE		CONCRETE/ASPHALT		SIDEWALK		SIDEWALK		SOUTH & EAST GUTTER		SOUTH & EAST GUTTER
	CURB STOP		ELEVATIONS		NORTH & WEST GUTTER		NORTH & WEST GUTTER		S & E GARAGE PAD		S & E GARAGE PAD
	LAND DRAINAGE SEWER		PROPERTY LINE		N & W GARAGE PAD		N & W GARAGE PAD		SURVEY BAR		SURVEY BAR
	WASTE WATER SEWER		CURB INLET		HYDRO		HYDRO				
	CB LEAD										
	MANHOLE										
	CATCH BASIN										
	CURB INLET										
	HYDRO										

LOCATION APPROVED UNDERGROUND STRUCTURES

SUPV. COMMITTEE	U/G STRUCTURES	DATE
---	---	---

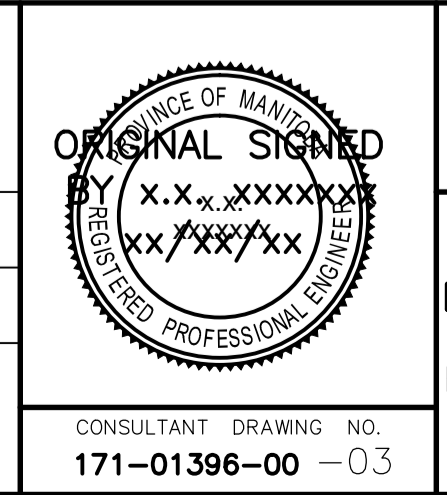
NOTE:
LOCATION OF UNDERGROUND STRUCTURES AS SHOWN ARE BASED ON THE BEST INFORMATION AVAILABLE BUT NO GUARANTEE IS GIVEN THAT ALL EXISTING UTILITIES ARE SHOWN OR THAT THE GIVEN LOCATIONS ARE EXACT. CONFIRMATION OF EXISTENCE AND EXACT LOCATION OF ALL SERVICES MUST BE OBTAINED FROM THE INDIVIDUAL UTILITIES BEFORE PROCEEDING WITH CONSTRUCTION.

B.M. ELEV.

---	---	---
---	---	---
---	---	---
---	---	---
---	---	---

111-93 Lombard Avenue
Winnipeg, Manitoba
R3B 3K1 Canada
Phone: 204-943-3178
Fax: 204-943-4948
wsp.com

DESIGNED BY K.G.	CHECKED BY R.H.
DRAWN BY A.B.	APPROVED BY S.M.
HOR. SCALE: 1:250	RELEASED FOR CONSTRUCTION
VERT. SCALE: 1:25	---



THE CITY OF WINNIPEG
PUBLIC WORKS DEPARTMENT

2017 ALLEY RENEWALS - CONTRACT 1
DORCHESTER AVENUE/MCMILLIAN AVENUE ALLEY
FROM LILAC STREET TO MATCHLINE AT 1+75
CONCRETE PAVEMENT

CITY DRAWING NO. SHEET 1 OF 2
BID OPPORTUNITY 379-2017

CONSULTANT DRAWING NO. **171-01396-00-03**