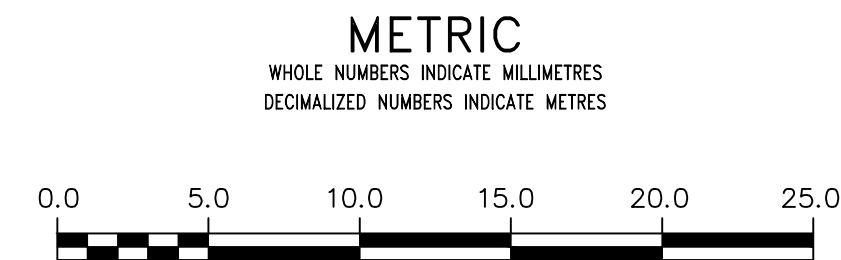
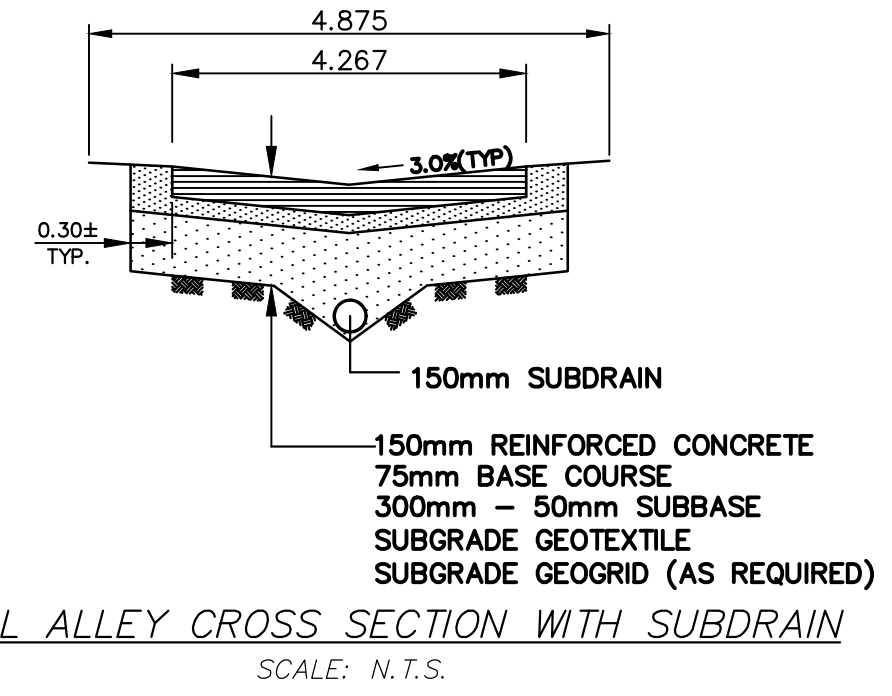
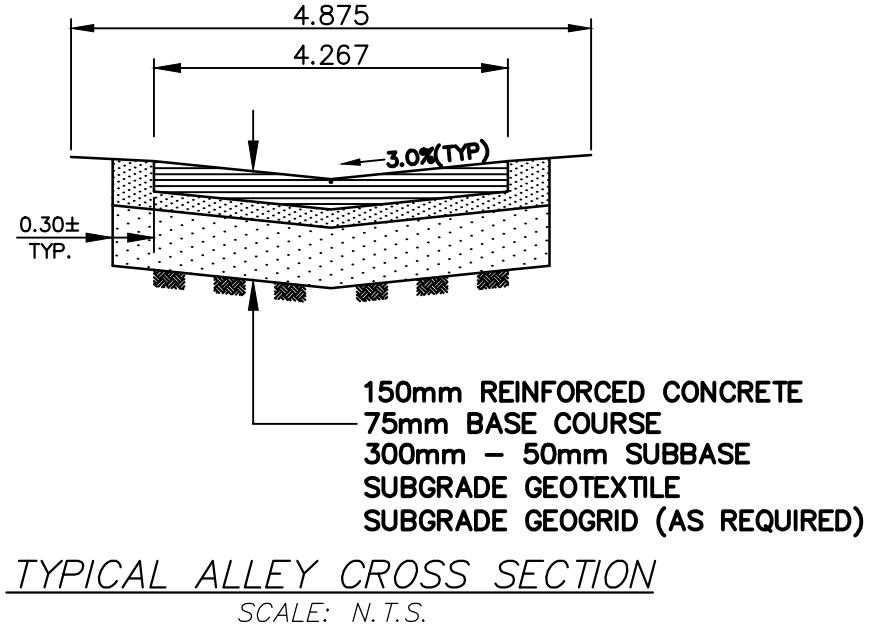
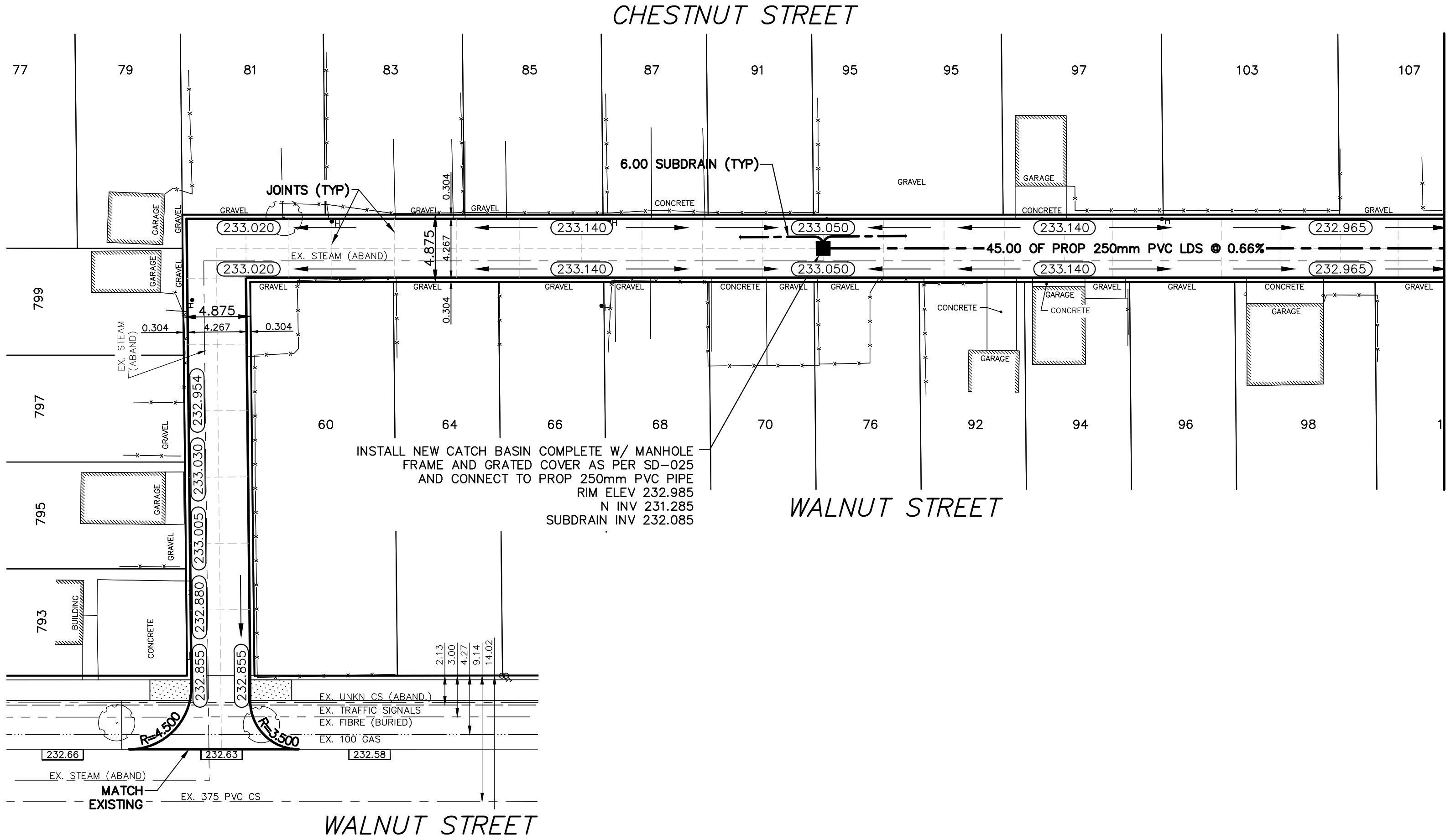


- NOTES:**
- ISOLATE EXISTING HYDRO POLES AS DIRECTED BY CONTRACT ADMINISTRATOR
  - RENEW EXISTING APPROACHES AND SIDEWALK AS DIRECTED BY CONTRACT ADMINISTRATOR
  - ADDITIONAL EXCAVATION AND INSTALLATION OF SUBGRADE GEOGRID TO BE DETERMINED BY CONTRACT ADMINISTRATOR
  - ADJUSTMENTS TO PROPOSED CROSSFALL, WHERE REQUIRED, ARE TO BE DETERMINED BY CONTRACT ADMINISTRATOR TO SUIT EXISTING DRIVEWAYS, APPROACHES, ETC.
  - LIGHT STANDARDS, HYDROPOLES, AND ANCHORS MAY REQUIRE SUPPORT AND/OR REMOVAL AND REPLACEMENT AT CONTRACTORS EXPENSE

NOTE: CHAINAGES SHOWN ARE ALONG CL OF PUBLIC RIGHT-OF-WAY



EXISTING	LEGEND - PLAN	PROPOSED	EXISTING	LEGEND - PLAN	PROPOSED	EXISTING	LEGEND - PROFILE	PROPOSED
WATERMAIN	---	---	GAS	---	---	150 WM	---	---
HYDRANT	◆	◆	M.T.S.	---	---	VALVE	---	---
VALVE	⊗	⊗	TRAFFIC SIGNALS	---	---	LAND DRAINAGE SEWER	---	---
CURB STOP	●	●	CONCRETE/ASPHALT	---	---	WASTE WATER SEWER	---	---
LAND DRAINAGE SEWER	---	---	SIDEWALK	---	---	CENTERLINE	---	---
WASTE WATER SEWER	---	---	CURB RAMP	---	---	SOUTH & WEST GUTTER	---	---
CB LEAD	---	---	ELEVATIONS	(32.00)	(32.000)	NORTH & EAST GUTTER	---	---
MANHOLE	○	○	PROPERTY LINE	---	---	S & W GARAGE PAD	---	---
CATCH BASIN	□	□	SURVEY BAR	---	---	N & E GARAGE PAD	---	---
CURB INLET	▽	▽						
HYDRO	---	---						

LOCATION APPROVED UNDERGROUND STRUCTURES

SUPV. U/G STRUCTURES DATE COMMITTEE

NOTE: LOCATION OF UNDERGROUND STRUCTURES AS SHOWN ARE BASED ON THE BEST INFORMATION AVAILABLE BUT NO GUARANTEE IS GIVEN THAT ALL EXISTING UTILITIES ARE SHOWN OR THAT THE GIVEN LOCATIONS ARE EXACT. CONFIRMATION OF EXISTENCE AND EXACT LOCATION OF ALL SERVICES MUST BE OBTAINED FROM THE INDIVIDUAL UTILITIES BEFORE PROCEEDING WITH CONSTRUCTION.

B.M. ELEV.			
---	---	---	---
---	---	---	---
---	---	---	---
---	---	---	---
---	---	---	---
---	---	---	---
---	---	---	---

111-93 Lombard Avenue  
Winnipeg, Manitoba  
R3B 3B1 Canada  
Phone: 204-943-3178  
Fax: 204-943-4948  
wsp.com

DESIGNED BY: A.B. CHECKED BY: R.H.  
DRAWN BY: A.B. APPROVED BY: S.M.

HOR. SCALE: 1:250  
VERT. SCALE: 1:25

3 ISSUED FOR TENDER 17/05/28 R.H.  
2 80% DESIGN REVIEW 17/04/05 A.B.  
1 PROPOSED LDS ALIGNMENT 17/03/27 A.B.



**THE CITY OF WINNIPEG**  
PUBLIC WORKS DEPARTMENT

2017 ALLEY RENEWALS - CONTRACT 1  
CHESTNUT STREET/WALNUT STREET ALLEY

FROM WALNUT STREET TO MATCHLINE AT 2+20  
CONCRETE PAVEMENT

CITY DRAWING NO. SHEET 1 of 2  
BID OPPORTUNITY 379-2017

CONSULTANT DRAWING NO. 171-01396-00 -01

