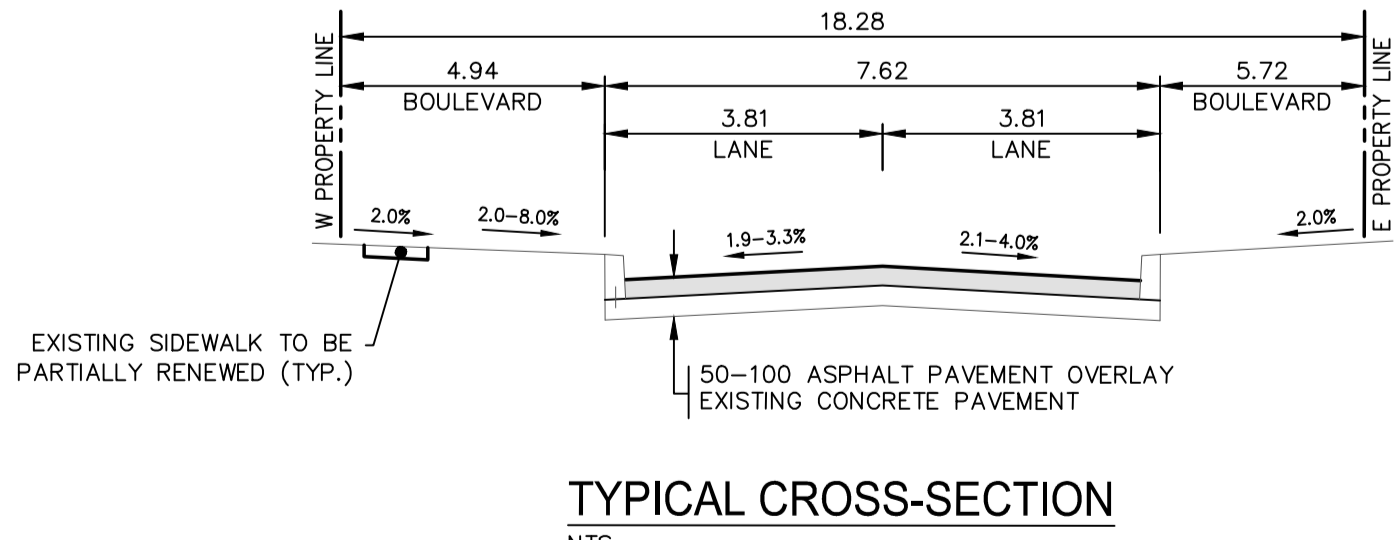


NOTE: These design documents are prepared solely for the use by the party with whom the design professional has entered into a contract and there are no representations of any kind made by the design professional to any party with whom the design professional has not entered into a contract.

EXISTING	LEGEND-PLAN	PROPOSED	EXISTING	LEGEND-PLAN	PROPOSED	EXISTING	LEGEND-PROFILE	PROPOSED
---	WATER MAIN	---	---	HYDRO POLE & LIGHT STANDARD	---	---	---	---
---	LAND DRAINAGE SEWER	---	---	LIGHT STANDARD OR TRAFFIC SIGNAL	---	---	---	---
---	WASTE WATER SEWER	---	---	HYDRO POLE	---	---	---	---
---	HYDRO	---	---	CURB RAMP	---	---	---	---
---	M.T.S.	---	---	DETECTABLE WARNING SURFACE TILE	---	---	---	---
---	GAS	---	---	EDGE OF SIDEWALK	---	---	---	---
---	SIGNALS	---	---	FENCE	---	---	---	---
○	MANHOLE	●	---	PROPERTY LINE	---	---	---	---
□	CATCH BASIN	■	---	EDGE OF ASPHALT	---	---	---	---
△	CURB INLET	▼	---	EDGE OF CONCRETE	---	---	---	---
○	UTILITIES ADJUSTED	△ □ ○	---	MODIFIED BARRIER CURB	---	---	---	---
⌋	PLUG	⌋	---	BARRIER CURB	---	---	---	---
⊕	HYDRANT	⊕	---	BARRIER CURB AND GUTTER	---	---	---	---
⊗	VALVE	⊗	---	MODIFIED BARRIER CURB AND GUTTER	---	---	---	---
⊕	CURB STOP	⊕	---	CONCRETE SIDEWALK	---	---	---	---
---	GROUND GRADE	---	---	CONCRETE REPAIR	---	---	---	---
---	PAVEMENT GRADE (31.00)	---	---	ASPHALT OVERLAY	---	---	---	---
---	ANCHOR	---	---	ASPHALT JOINT REPAIR	---	---	---	---
---	CIVIC ADDRESS	---	---	GLASS GRID	---	---	---	---
---	IRON BAR	---	---	ASPHALT MILLING	---	---	---	---
---	EXISTING LEGEND-PLAN	---	---	LEGEND-PLAN	---	---	---	---



- NOTES:
1. ALL WORK AND MATERIALS TO BE IN ACCORDANCE WITH THE LATEST REVISION OF THE CITY OF WINNIPEG STANDARD CONSTRUCTION SPECIFICATIONS.
 2. CONTRACTOR TO CONFIRM THE LOCATION OF ALL UTILITIES/SERVICES IN THE FIELD PRIOR TO CONSTRUCTION.
 3. ALL ROADWAY DIMENSIONS SHOWN ARE TO BACK OF CURB.
 4. ADD 200.00 TO ABBREVIATED ELEVATIONS TO OBTAIN GEODETIC ELEVATION.
 5. PAVEMENT REPAIRS SHOWN ARE ONLY A REPRESENTATIVE APPROXIMATION OF THE TENDERED QUANTITIES.
 6. RENEW CURB AND SIDEWALK AS IDENTIFIED BY CONTRACT ADMINISTRATOR.
 7. ALL PRIVATE WALKWAYS TO BE ADJUSTED TO NEW SIDEWALK OR TOP OF CURB ELEVATION, AS REQUIRED.
 8. REPLACEMENT TO BE DONE SO AT THE EXPENSE OF THE CONTRACTOR AS NECESSARY.
 9. CONTRACTORS TO TAKE PRECAUTIONARY STEPS TO PROTECT EXISTING TREES WITHIN THE LIMITS OF CONSTRUCTION FROM DAMAGE FROM CONSTRUCTION ACTIVITIES AS OUTLINED IN THE SPECIFICATIONS.
 10. LAMP STANDARDS, HYDRO POLES, AND ANCHORS THAT REQUIRE TEMPORARY SUPPORT, REMOVAL OR REPLACEMENT, TO BE DONE SO AT THE EXPENSE OF THE CONTRACTOR AS NECESSARY.
 11. ALL BOULEVARDS TO BE SODDED UNLESS OTHERWISE NOTED.
 12. TRAFFIC SERVICES TO PAINT TRAFFIC LINES AND BICYCLE LANE MARKINGS (IF REQ'D).
 13. CONTRACTOR TO CONFIRM LOCATION AND LIMITS OF SEWER REPAIRS BY PERFORMING VIDEO INSPECTION AND REVIEWING WITH CONTRACT ADMINISTRATOR PRIOR TO CONSTRUCTION (IF REQ'D).

LOCATIONS APPROVED UNDERGROUND STRUCTURES

SIGNED BY: _____ DATE: _____

NO. REVISIONS

NO.	REVISIONS	DATE	BY

MMM GROUP

G.A.M. - BENCHMARK LOCATION
ELEV. 232.753
TOP OF TOP NUT ON SECOND HYDRANT WEST OF SOROKIN STREET AND NORTH OF SASAKI CRESCENT.

DESIGNED BY: MCW
DRAWN BY: VA/SB
DATE: 22-MAR-2017

CHECKED BY: JP/TR
APPROVED BY: VM
DATE: _____

WORK SCALE: 1:250
VERTICAL: 1:10

RELEASED FOR CONSTRUCTION

ENGINEER'S SEAL

M.C.Y. WONG
Member 32500
PROFESSIONAL ENGINEER

CONSULTANT ACAD DWG. NO.
17M-00410-00-C-07

THE CITY OF WINNIPEG
PUBLIC WORKS DEPARTMENT
ENGINEERING DIVISION

2017 LOCAL STREET RENEWAL PROGRAM

SOROKIN STREET
MARGATE ROAD TO ADSUM DRIVE
PAVEMENT REHABILITATION
STA. 2+40 TO STA. 3+60

CITY DRAWING NUMBER
SHEET 7 OF 13

BID NO.
363-2017

METRIC
WHOLE NUMBERS INDICATE MILLIMETRES
DECIMALIZED NUMBERS INDICATE METRES

APEGM
Certificate of Authorization
MMM Group Limited
No. 4531

M:\05_2017 - 8 24m - P:\2017\17M-00410-00 - 2017 Local Streets Renewal\17-08\MM Drawings\Construction\17-08\17M-00410-00-C-06_Sorokin Street Plan and Profile_2017.05.04.dwg - tab1-C-07