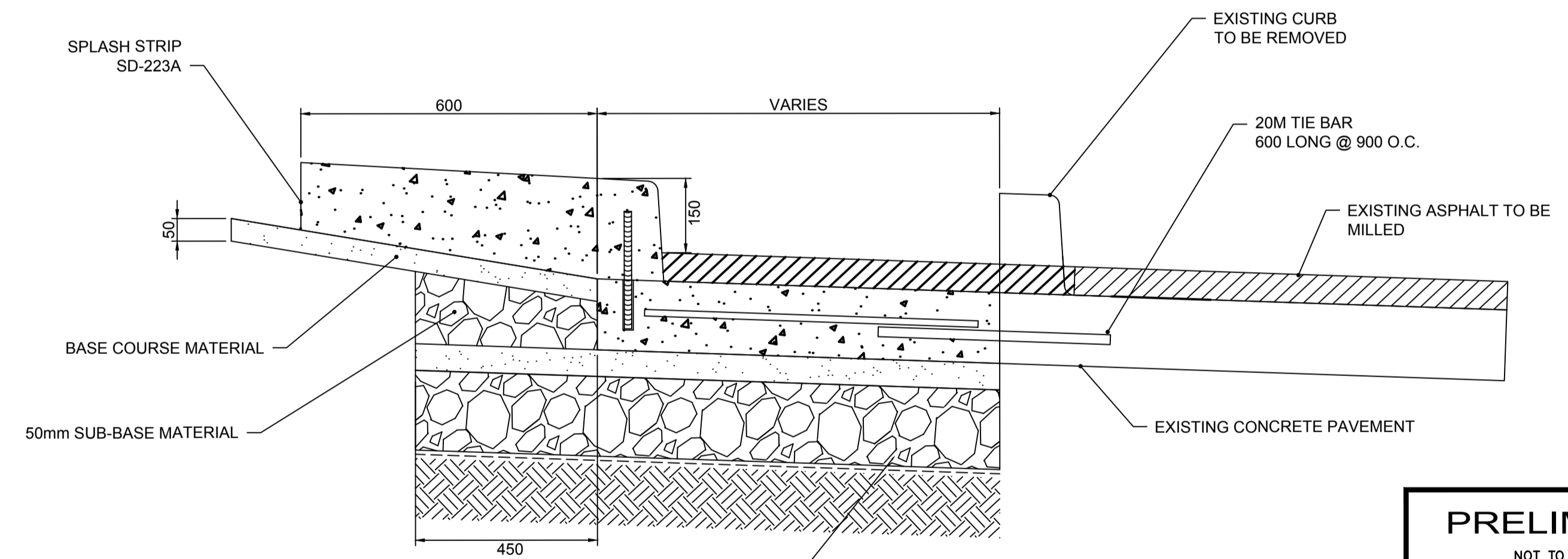


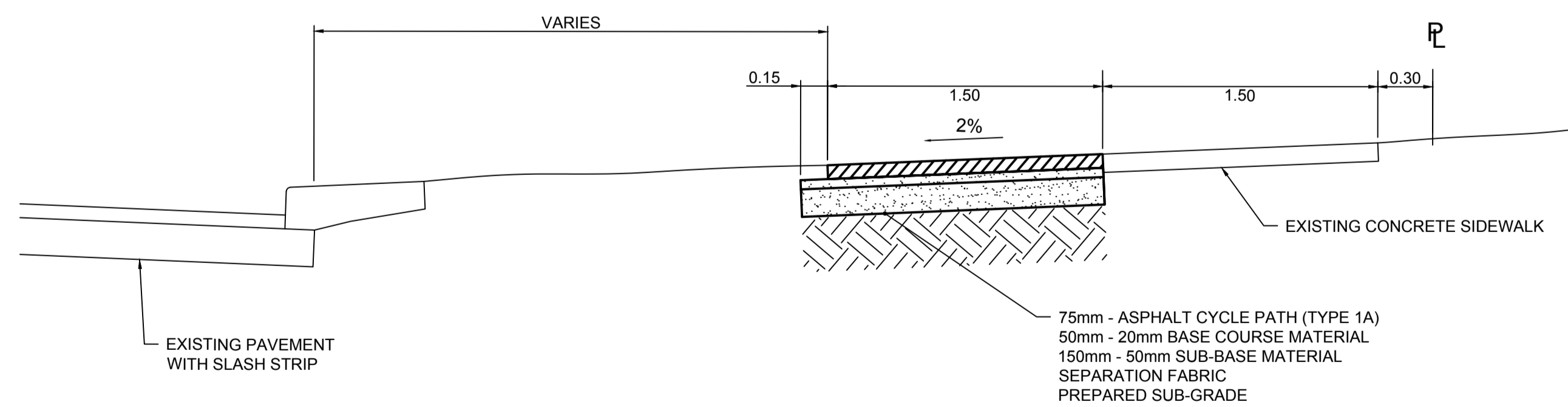
B-B: 3.5m ASPHALT PEDESTRIAN/CYCLE PATH - TYPICAL

N.T.S.



PAVEMENT WIDENING (REF. SD-208) TYPICAL CROSS SECTION

N.T.S.



A-A: 1.5m ASPHALT CYCLE PATH - TYPICAL

N.T.S.

**PRELIMINARY**  
NOT TO BE USED FOR CONSTRUCTION

**CONSTRUCTION NOTES**

- 1) CURB REPLACEMENT AS DIRECTED BY THE CONTRACT ADMINISTRATOR.
- 2) ALL STREET RADIUS CURB UNDER 15M RADIUS SHALL BE REPLACED AS MODIFIED OR AS DIRECTED BY THE CONTRACT ADMINISTRATOR.
- 3) PAVEMENT REPAIRS SHOWN ARE ONLY A REPRESENTATIVE SAMPLE OF THE TENDERED QUANTITIES.
- 4) ASPHALT TIE-INS ON APPROACHES TO BE DETERMINED IN THE FIELD BY THE CONTRACT ADMINISTRATOR.
- 5) ALL BULLNOSES TO HAVE SLOPED FACE.
- 6) INSTALL DETECTABLE WARNING TILE SURFACES AT INDICATED CURB RAMPS AS PER CW-326.
- 7) REGRADE BOULEVARD TO NEW GRADE AS REQUIRED.

**WARNING**

IF POWER EQUIPMENT OR EXPLOSIVES ARE TO BE USED FOR EXCAVATION ON THIS PROJECT THE CONTRACTOR MUST:

- 1) OBTAIN CLEARANCE FROM THE GAS UTILITY PRIOR TO EXCAVATION.
- 2) TAKE PRECAUTION TO AVOID DAMAGE TO GAS UTILITY INSTALLATIONS.

SEE PROVINCIAL REGULATION 210/72 FOR DETAILS

METRIC  
WHOLE NUMBERS INDICATE MILLIMETRES  
DECIMALIZED NUMBERS INDICATE METRES

BID OPPORTUNITY NO. 3-2017

EXISTING	LEGEND - PLAN	PROPOSED	EXISTING	LEGEND - PLAN	PROPOSED	EXISTING	LEGEND - PROFILE	PROPOSED
⊕	HYDRANT	⊕	---	LDS/WWS	---	▒	CONCRETE	▒
⊕	VALVE	⊕	---	WATERMAIN	---	▒	CONCRETE SIDEWALK	▒
⊕	CURB STOP	⊕	---	GAS	---	▒	ASPHALT	▒
⊕	MANHOLE	⊕	---	TRAFFIC SIGNALS	---			
⊕	CATCH BASIN	⊕	---	HYDRO/STREET LIGHT	---	EXISTING	LEGEND - PLAN	PROPOSED
⊕	CURB INLET	⊕	---	MTS	---			
⊕	UTILITY BOX	⊕	---	CURB RENEWAL	---	---	NORTH BOUND GUTTER	---
⊕	LIGHT STANDARD	⊕	---	PROPERTY LINE	---	---	NORTH BOUND MEDIAN	---
⊕	TRAFFIC SIGNAL POLE	⊕	---	RAMP CURB	---	---	SOUTH BOUND GUTTER	---
⊕	SURVEY BAR	⊕	---	ELEVATIONS	231.000	---	SOUTH BOUND MEDIAN	---
⊕	GEODETIC BENCH MARK	⊕	---	TREE	---	---		---

LOCATION APPROVED  
UNDERGROUND STRUCTURES

SUPR. U/G STRUCTURES COMMITTEE DATE

NOTE:  
LOCATION OF UNDERGROUND STRUCTURES AS SHOWN ARE BASED ON THE BEST INFORMATION AVAILABLE. BUT NO GUARANTEE IS GIVEN THAT ALL EXISTING UTILITIES ARE SHOWN OR THAT THE GIVEN LOCATIONS ARE EXACT. CONFIRMATION OF EXISTENCE AND EXACT LOCATION OF ALL SERVICES MUST BE OBTAINED FROM THE INDIVIDUAL UTILITIES BEFORE PROCEEDING WITH CONSTRUCTION.

NO.	REVISIONS	DATE	BY
1.	SUBMIT FOR ENGINEERS REVIEW	17/02/06	R.C
2.	SUBMIT FOR PLAN APPROVAL	17/03/24	R.C

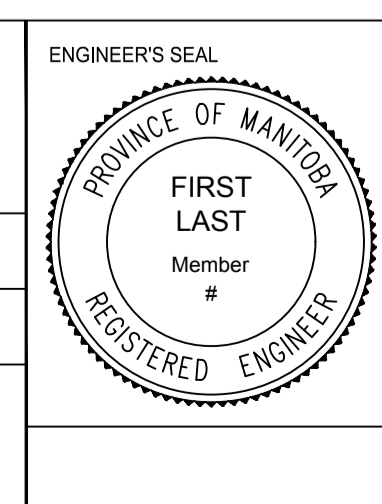
ENGINEERING DIVISION  
TECHNOLOGY SERVICES BRANCH  
106 - 1155 PACIFIC AVE

DESIGNED BY R.M./M.S. CHECKED BY R.W.

DRAWN BY R.M./M.S. APPROVED BY

HOR. SCALE: 1 : 250  
VERTICAL: 1 : 10

DATE 2017/03/24



**THE CITY OF WINNIPEG**  
PUBLIC WORKS DEPARTMENT

**PEMBINA HIGHWAY**  
FROM DEVOS RD. TO KIRKBRIDGE DR./KILLARNEY AVE.  
REHABILITATION/ACTIVE TRANSPORTATION CORRIDOR  
AND ASSOCIATED WORKS

TYPICAL CROSS SECTIONS DETAILS

CITY DRAWING NUMBER P-3480-12  
SHEET 12 OF 13

12