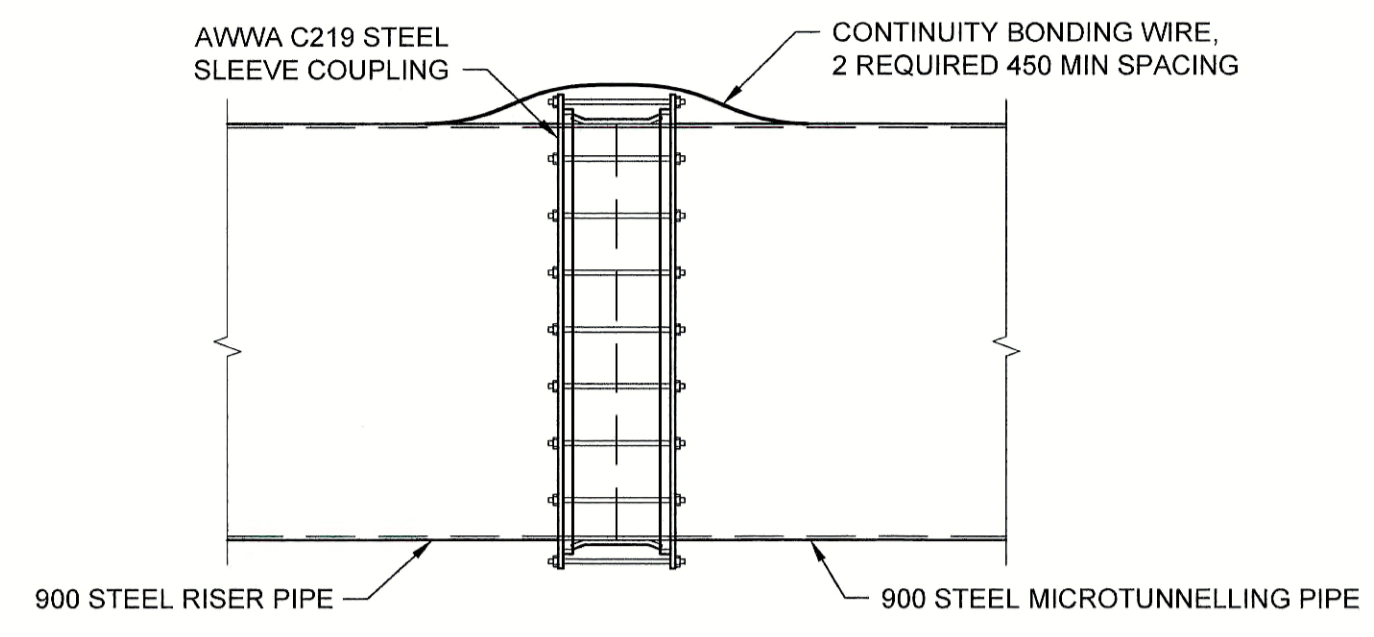


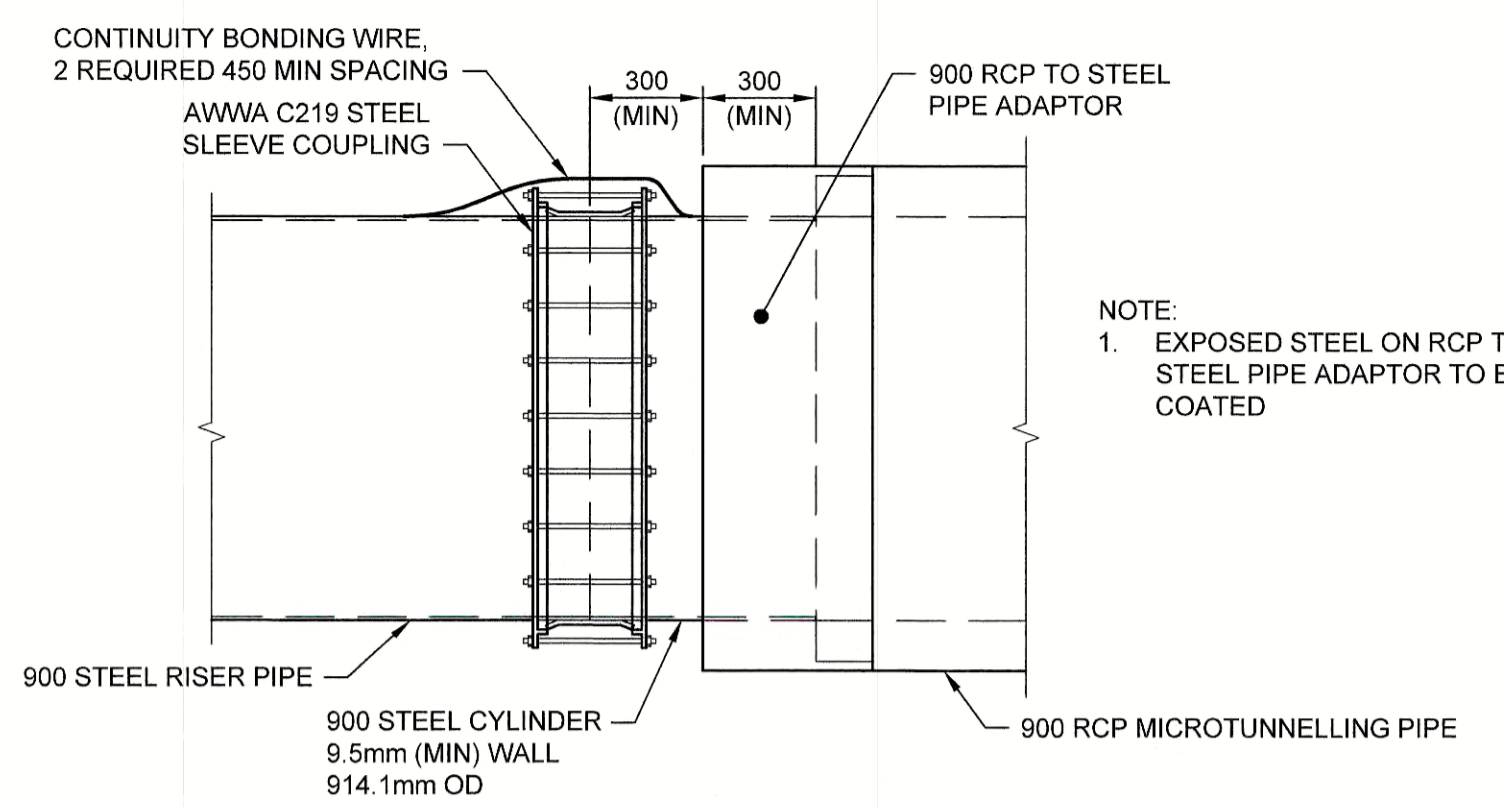
D SIZE 22" x 34" (559mm x 864mm)

PLOT: 4/24/2018 12:08:04 PM

AECOM REVIEW DRAFT CHK  
AECOM FILE NAME: 60509089-SHT-30-0000-C-1006.dwg Saved By: cocpetekl

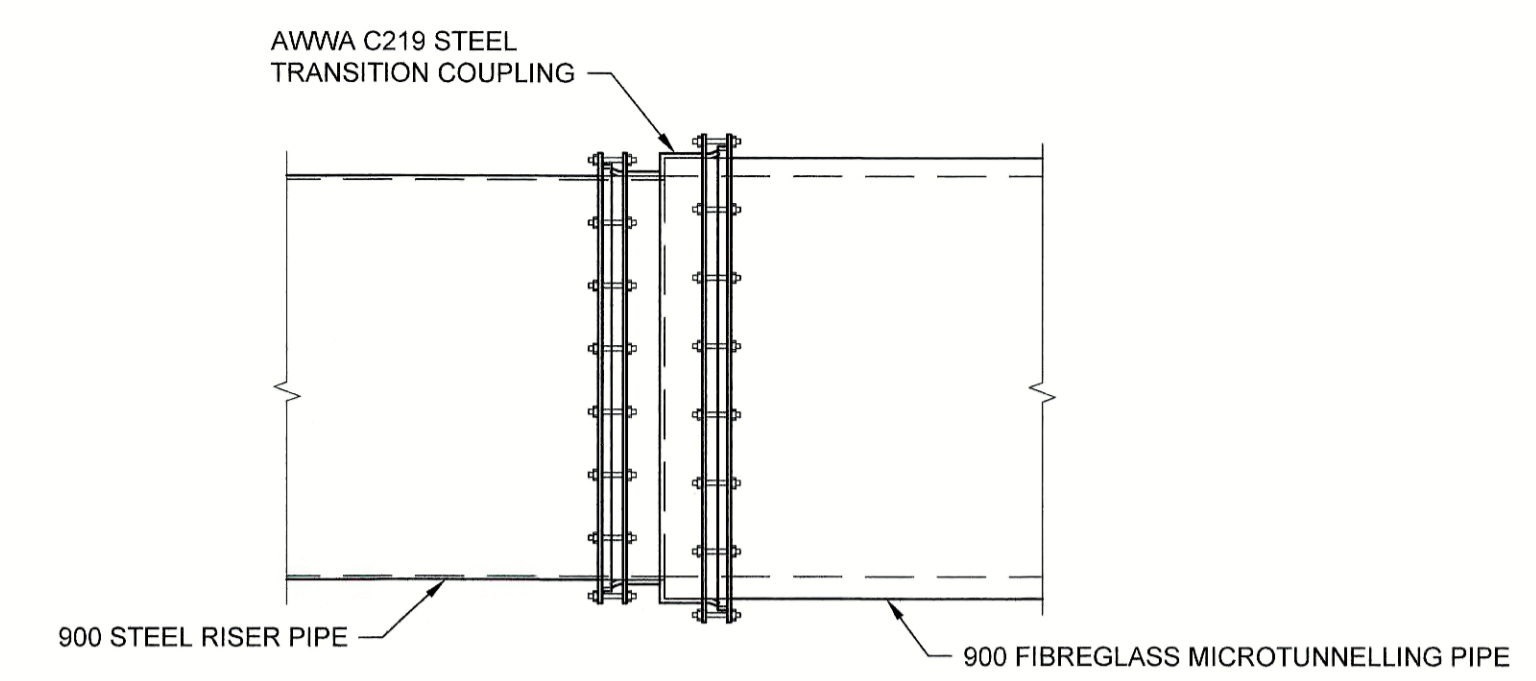


**9 STEEL PIPE CONNECTION**  
Scale: NTS

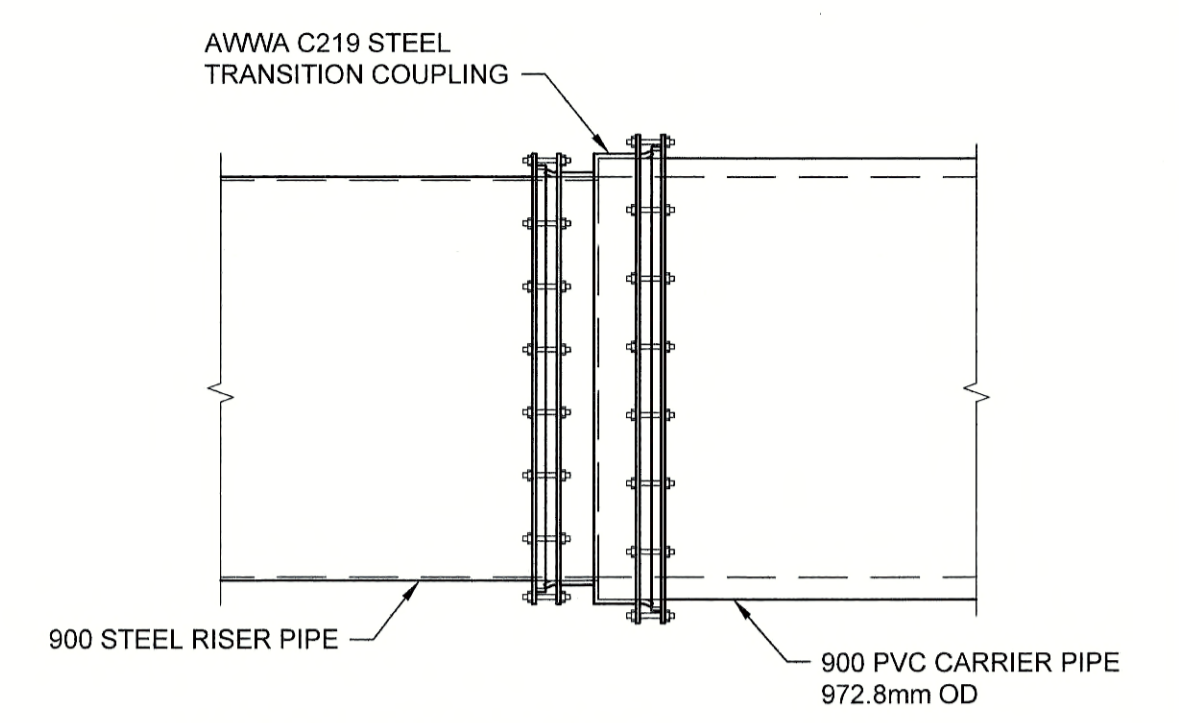


**10 RCP CONNECTION TO STEEL RISER PIPE**  
Scale: NTS

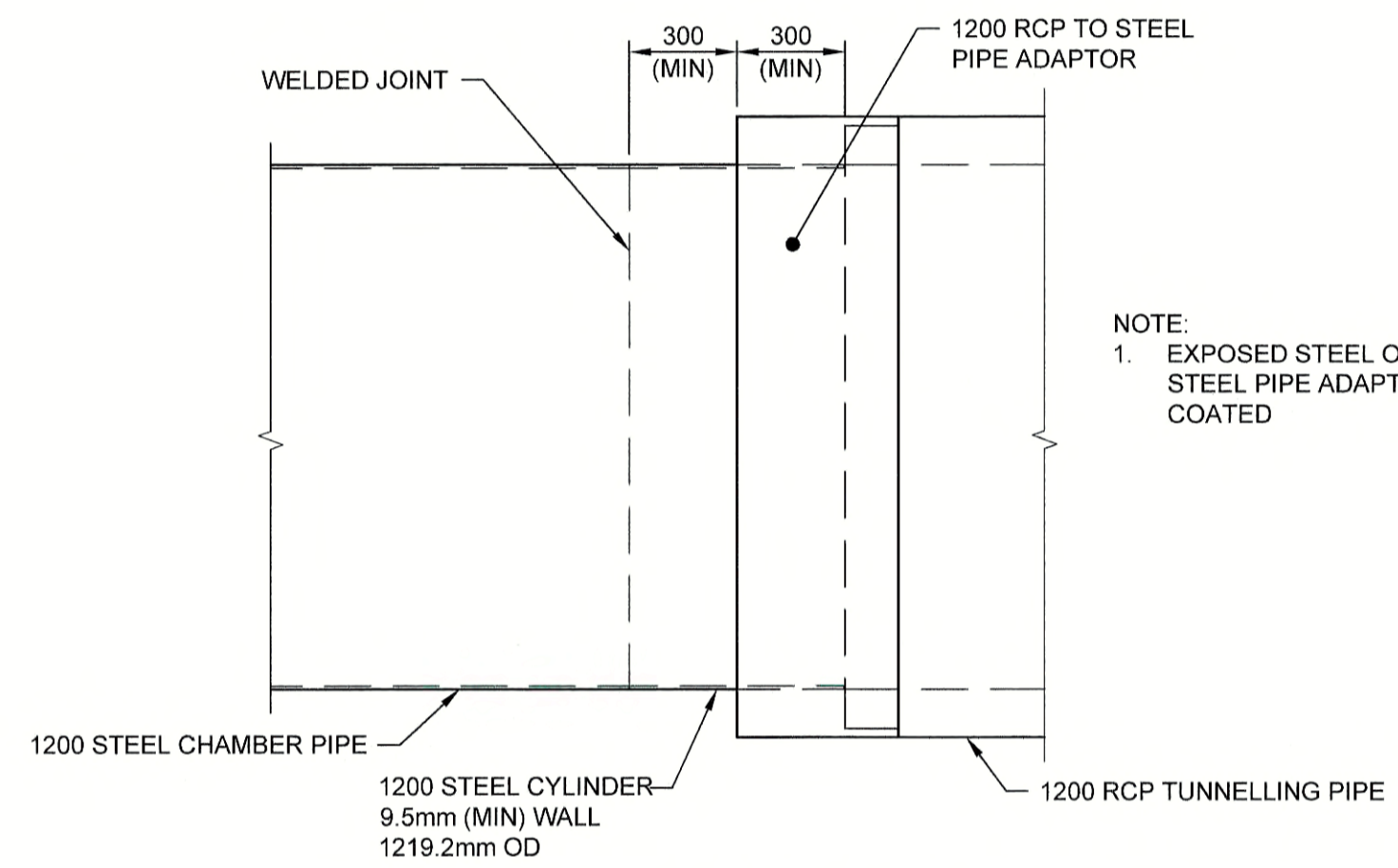
NOTE:  
1. EXPOSED STEEL ON RCP TO STEEL PIPE ADAPTOR TO BE COATED



**11 FIBREGLASS TO STEEL RISER PIPE CONNECTION**  
Scale: NTS

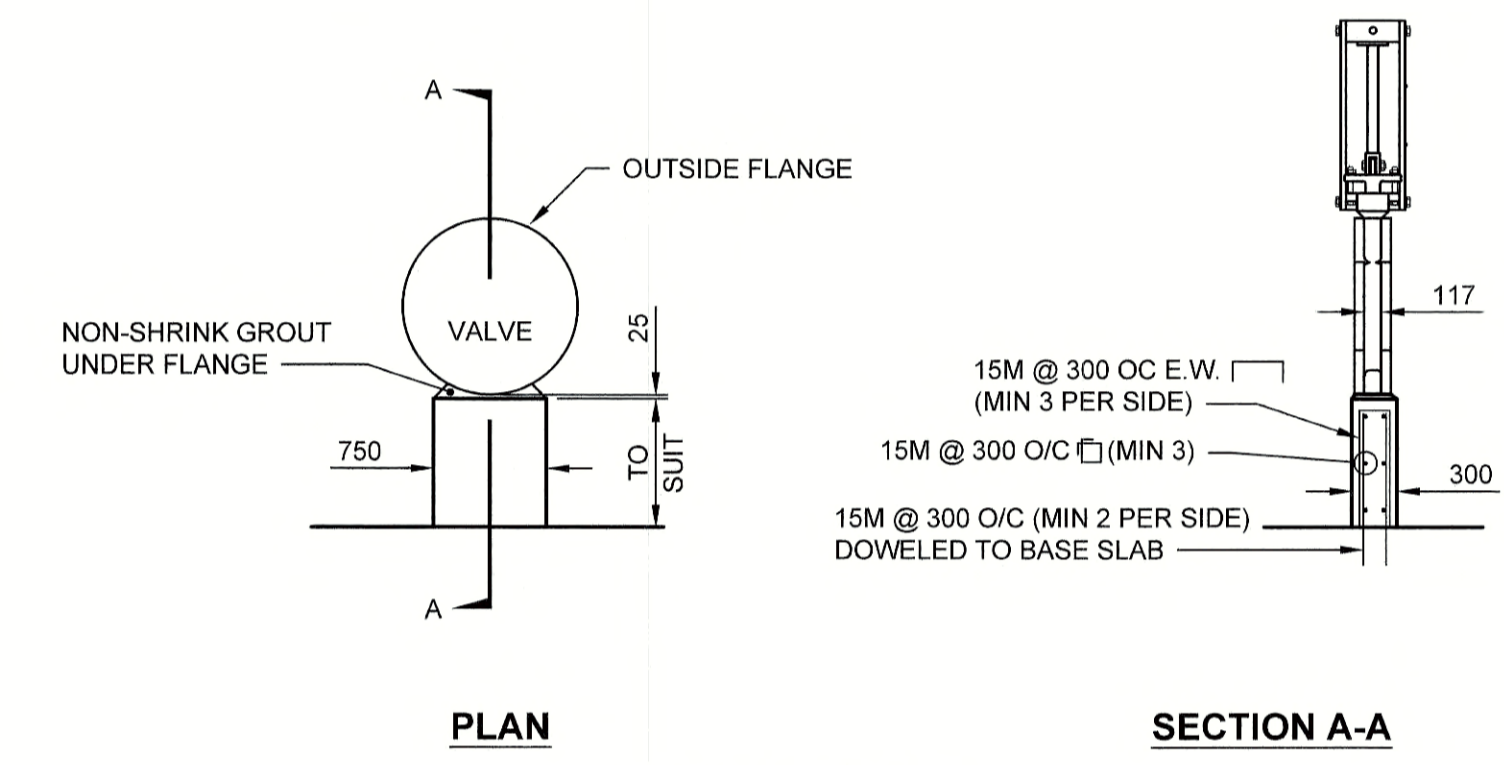


**12 PVC CARRIER PIPE TO STEEL RISER PIPE CONNECTION**  
Scale: NTS

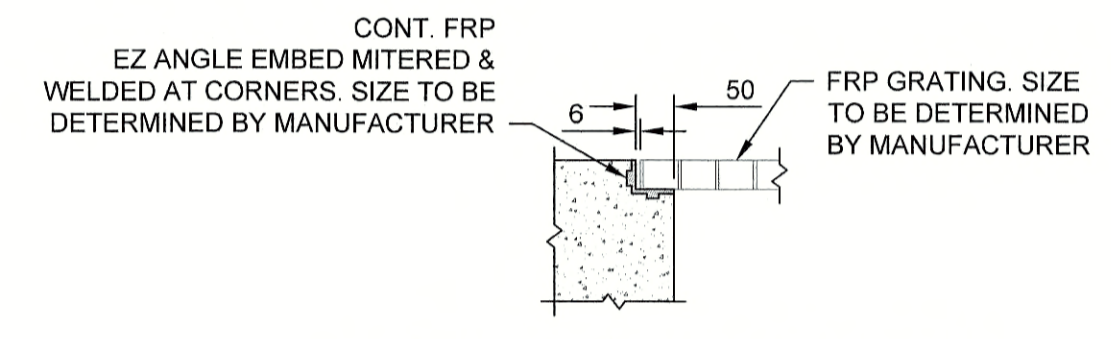


**13 1200 RCP INTERCEPTOR CONNECTION TO STEEL CHAMBER PIPE**  
Scale: NTS

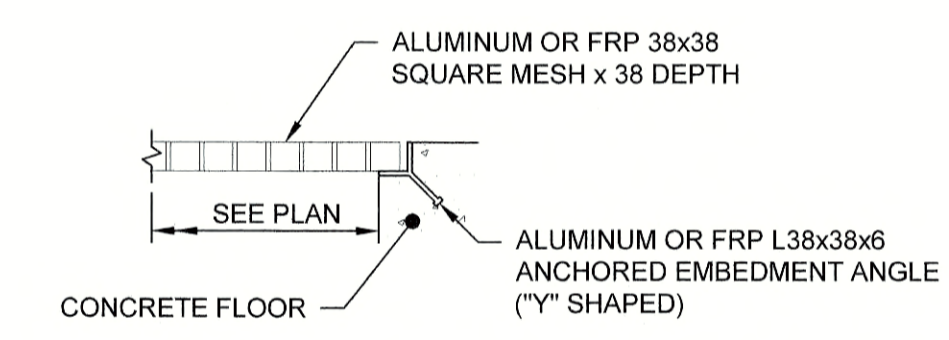
NOTE:  
1. EXPOSED STEEL ON RCP TO STEEL PIPE ADAPTOR TO BE COATED



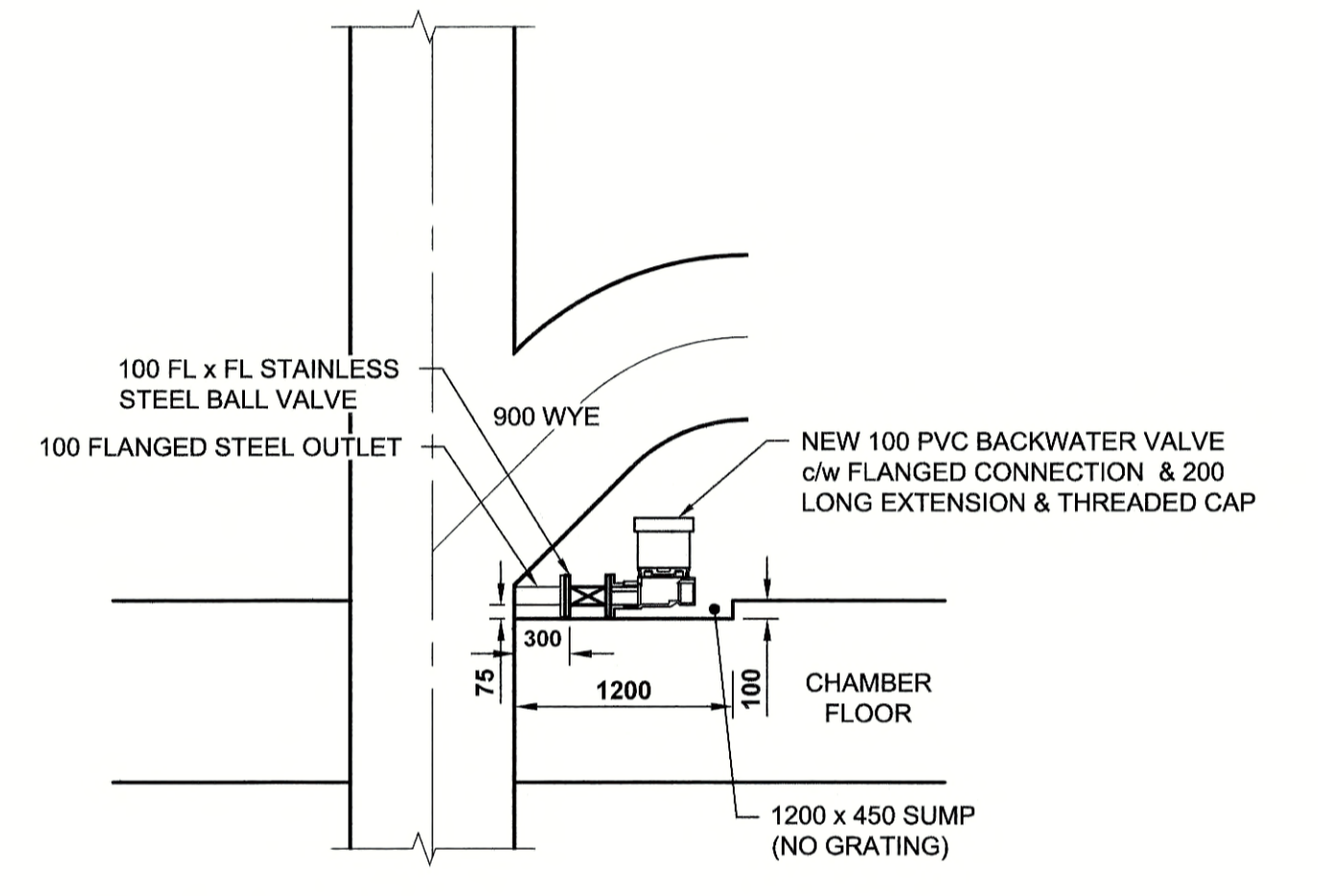
**14 DETAIL**  
VALVE BASE BLOCK  
SCALE N.T.S.



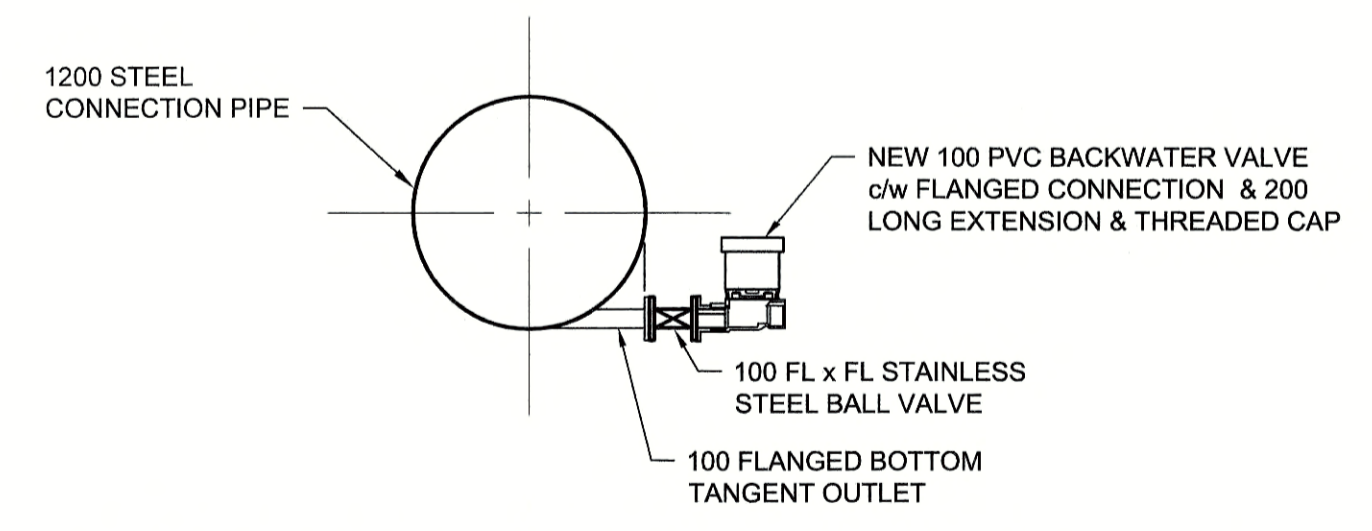
**15 FRP GRATING DETAIL**  
Scale: 1:10



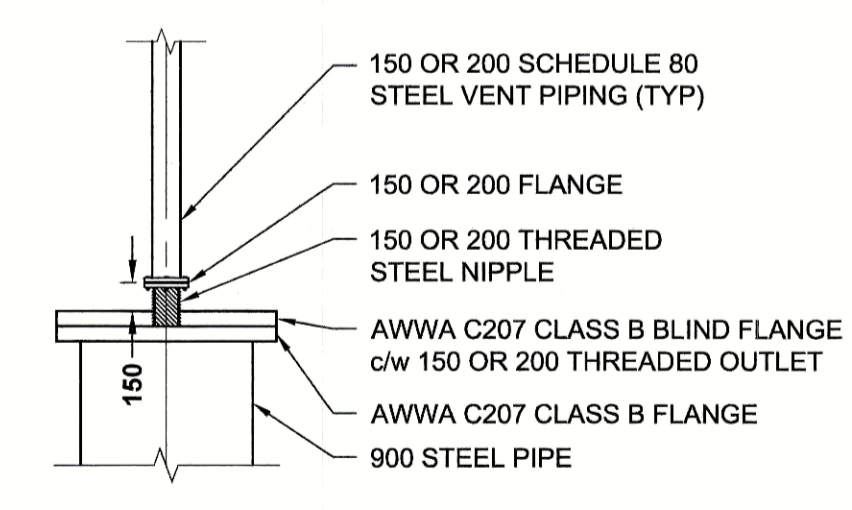
**21 SUMP PIT GRATING DETAIL**  
Scale: 1:10



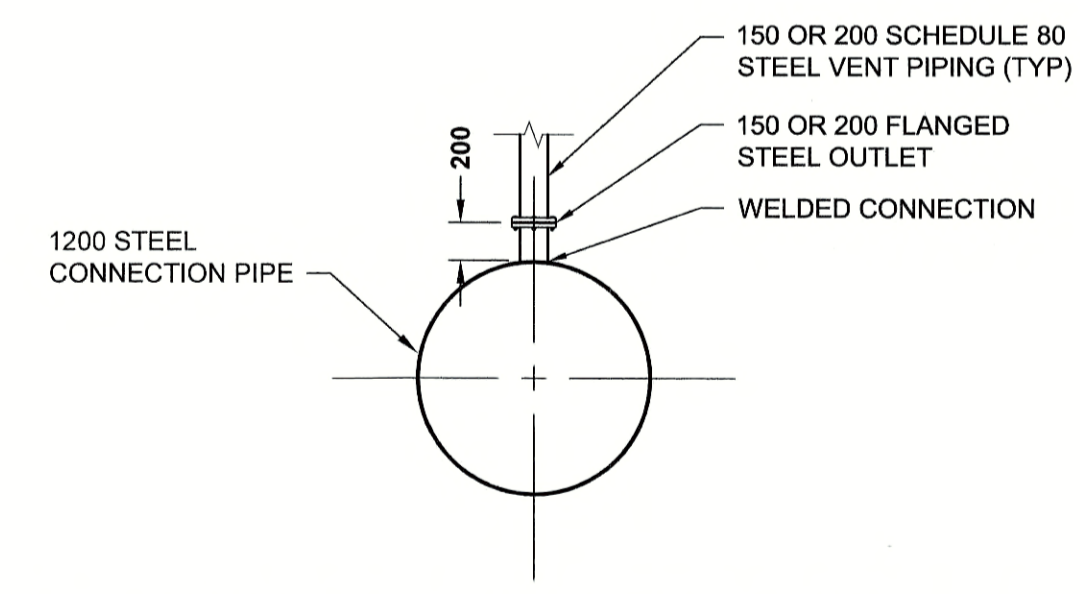
**16 INLET CHAMBER DRAIN DETAIL**  
1:40



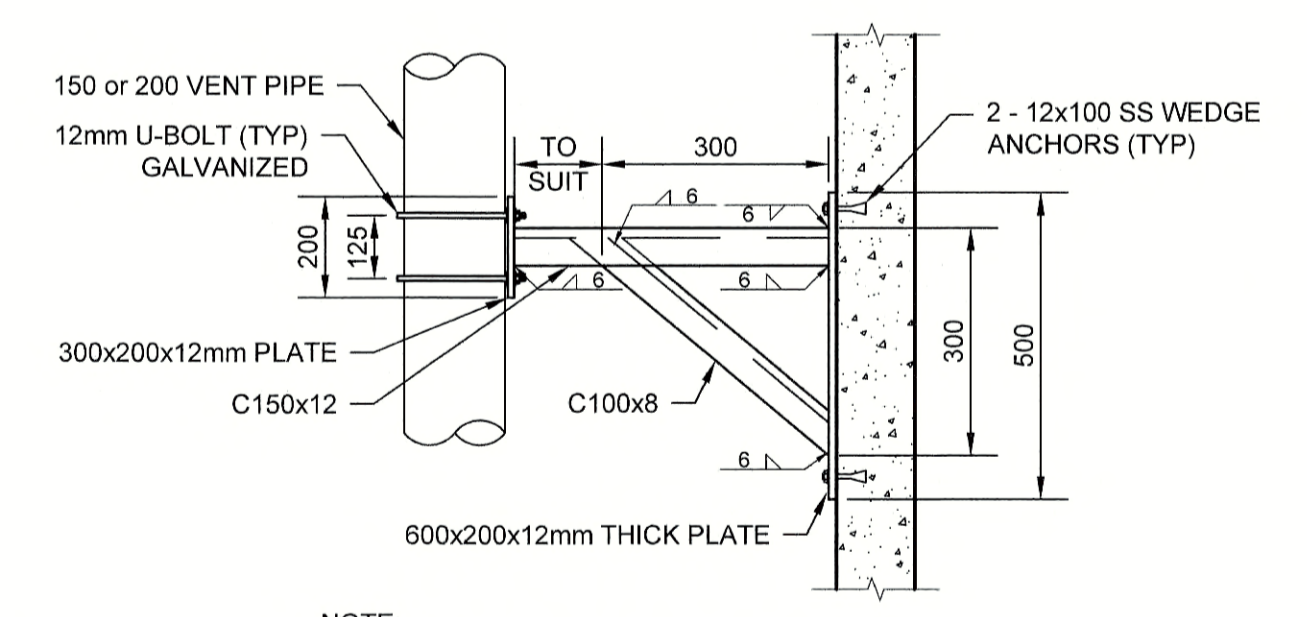
**17 OUTLET CHAMBER DRAIN DETAIL**  
1:40



**18 VENT PIPE CONNECTION DETAIL 1**  
1:40



**19 VENT PIPE CONNECTION DETAIL 2**  
1:40



NOTE:  
ALL STEEL COMPONENTS TO BE GALVANIZED

**20 WALL MOUNTED PIPE SUPPORT**  
N.T.S.

**METRIC**  
WHOLE NUMBERS INDICATE MILLIMETRES  
DECIMALIZED NUMBERS INDICATE METRES

**AECOM**  
Certificate of Authorization  
AECOM Canada Ltd.  
No. 4671 Date: Apr 12/18

**LOCATION APPROVED**  
UNDERGROUND STRUCTURES  
SUPR. U/G STRUCTURES COMMITTEE DATE  
NOTE:  
LOCATION OF UNDERGROUND STRUCTURES AS SHOWN ARE BASED ON THE BEST INFORMATION AVAILABLE. BUT NO GUARANTEE IS GIVEN THAT ALL EXISTING UTILITIES ARE SHOWN OR THAT THE GIVEN LOCATIONS ARE EXACT. CONFIRMATION OF EXISTENCE AND EXACT LOCATION OF ALL SERVICES MUST BE OBTAINED FROM THE INDIVIDUAL UTILITIES BEFORE PROCEEDING WITH CONSTRUCTION.

NO.	REVISIONS	YYMMDD	BY
0	ISSUED FOR CONSTRUCTION	18/04/24	KLC

**AECOM**  
DESIGNED BY: ADB  
DRAWN BY: KLC  
HOR. SCALE: AS NOTED  
VERT. SCALE: AS NOTED  
DATE: \_\_\_\_\_

PROFESSIONAL'S SEAL  
**BRAUN**  
Member  
24453  
REGISTERED PROFESSIONAL ENGINEER  
CONSULTANT DRAWING NO.  
60509089-SHT-30-0000-C-1006

**THE CITY OF WINNIPEG**  
Winnipeg  
**WATER AND WASTE DEPARTMENT**  
NORTHEAST INTERCEPTOR SEWER RIVER CROSSING  
MISCELLANEOUS CIVIL DETAILS 2  
SHEET 07 OF 11  
CITY DRAWING NUMBER  
**11809**  
REV 0

BID OPPORTUNITY NO. 1136-2017B