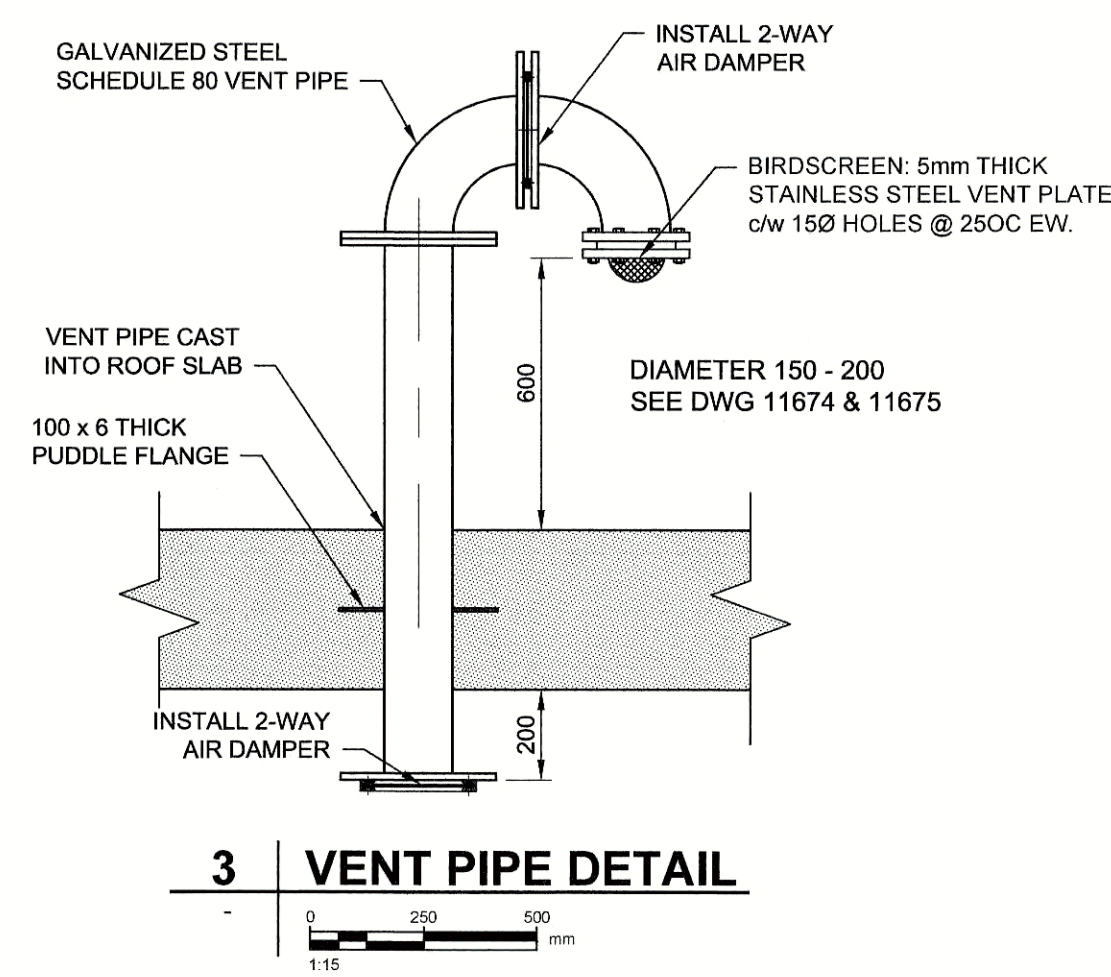
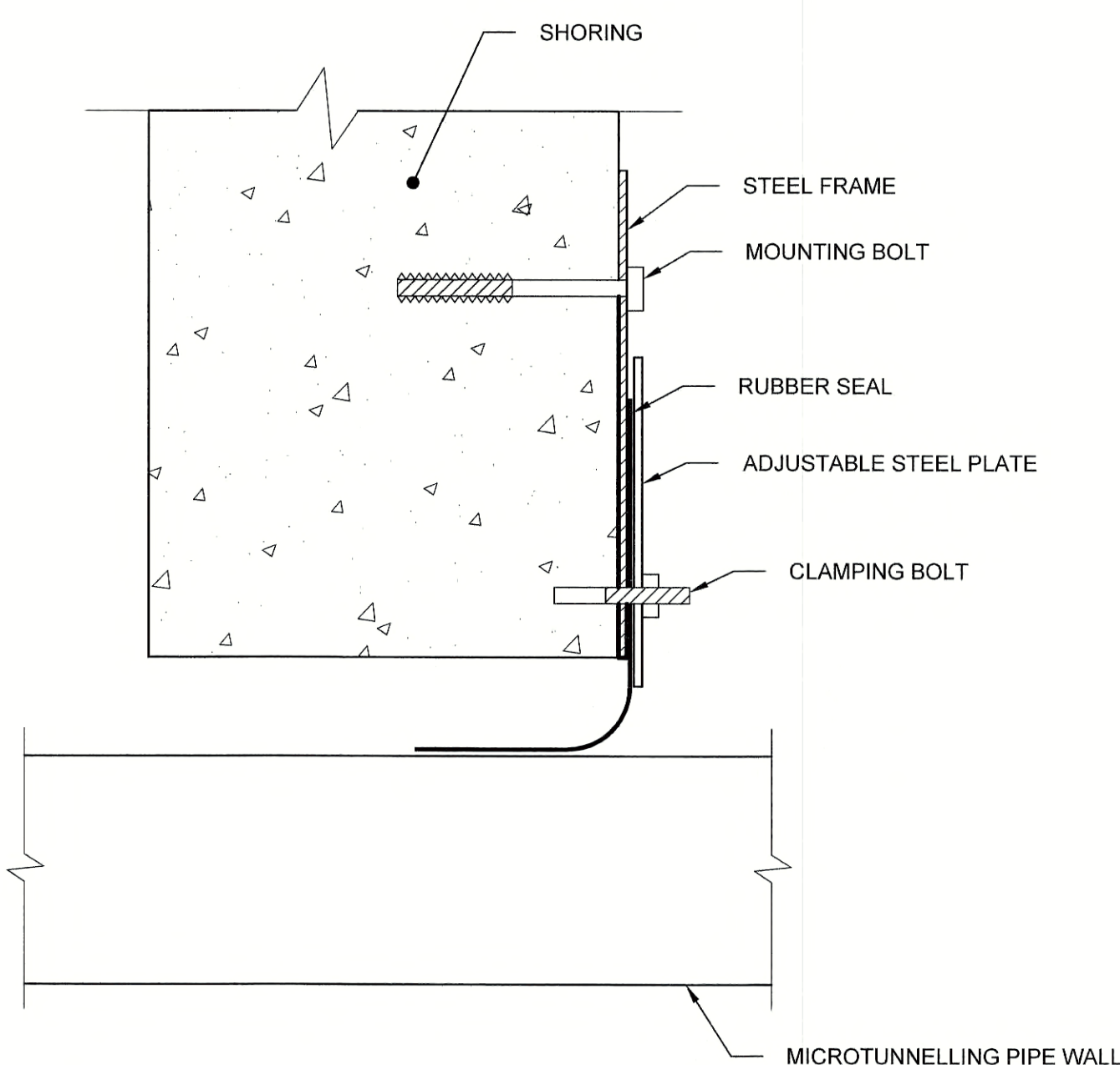


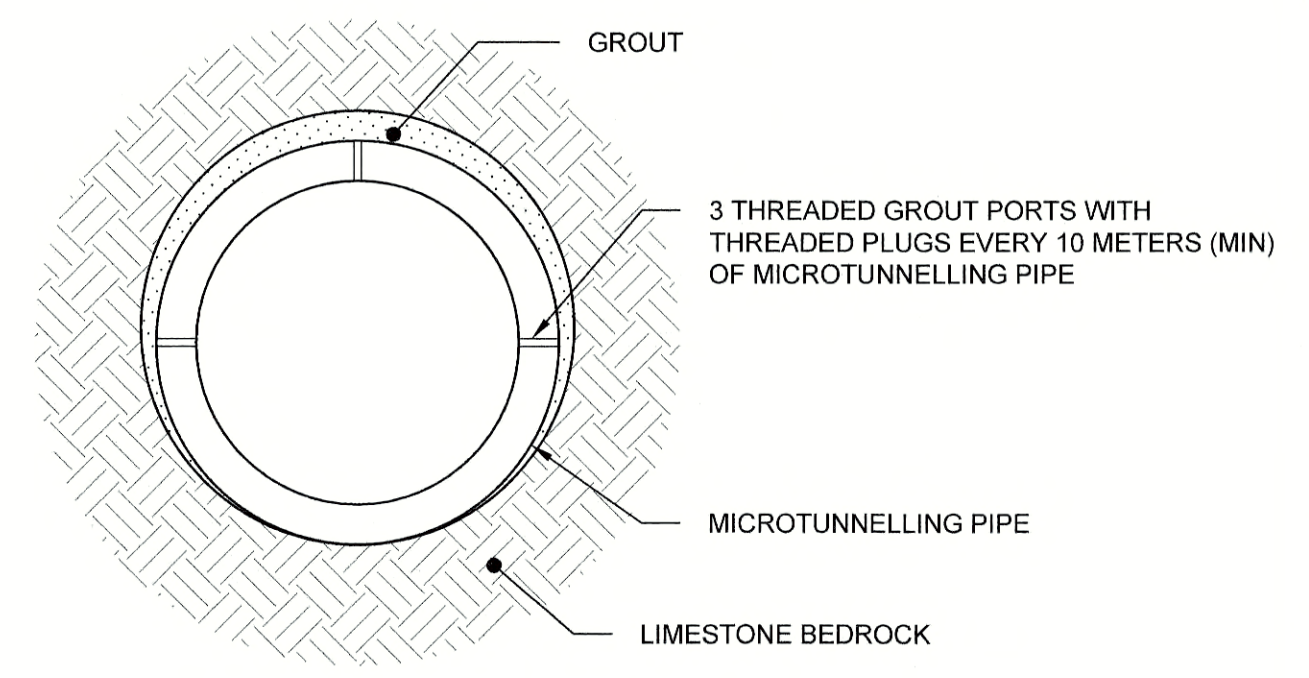
**2 2 PASS CASING PIPE DETAIL**  
1:50



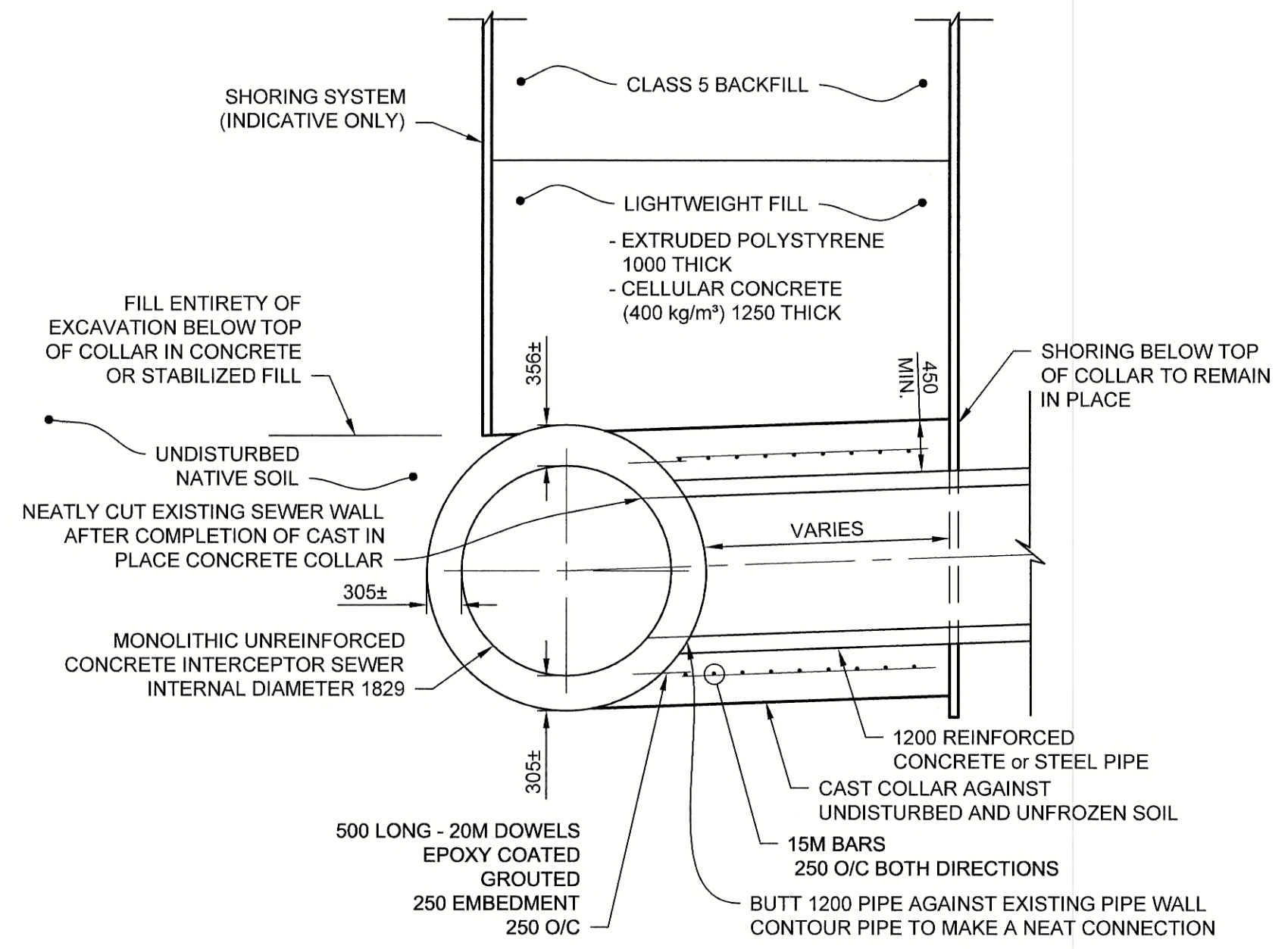
**3 VENT PIPE DETAIL**



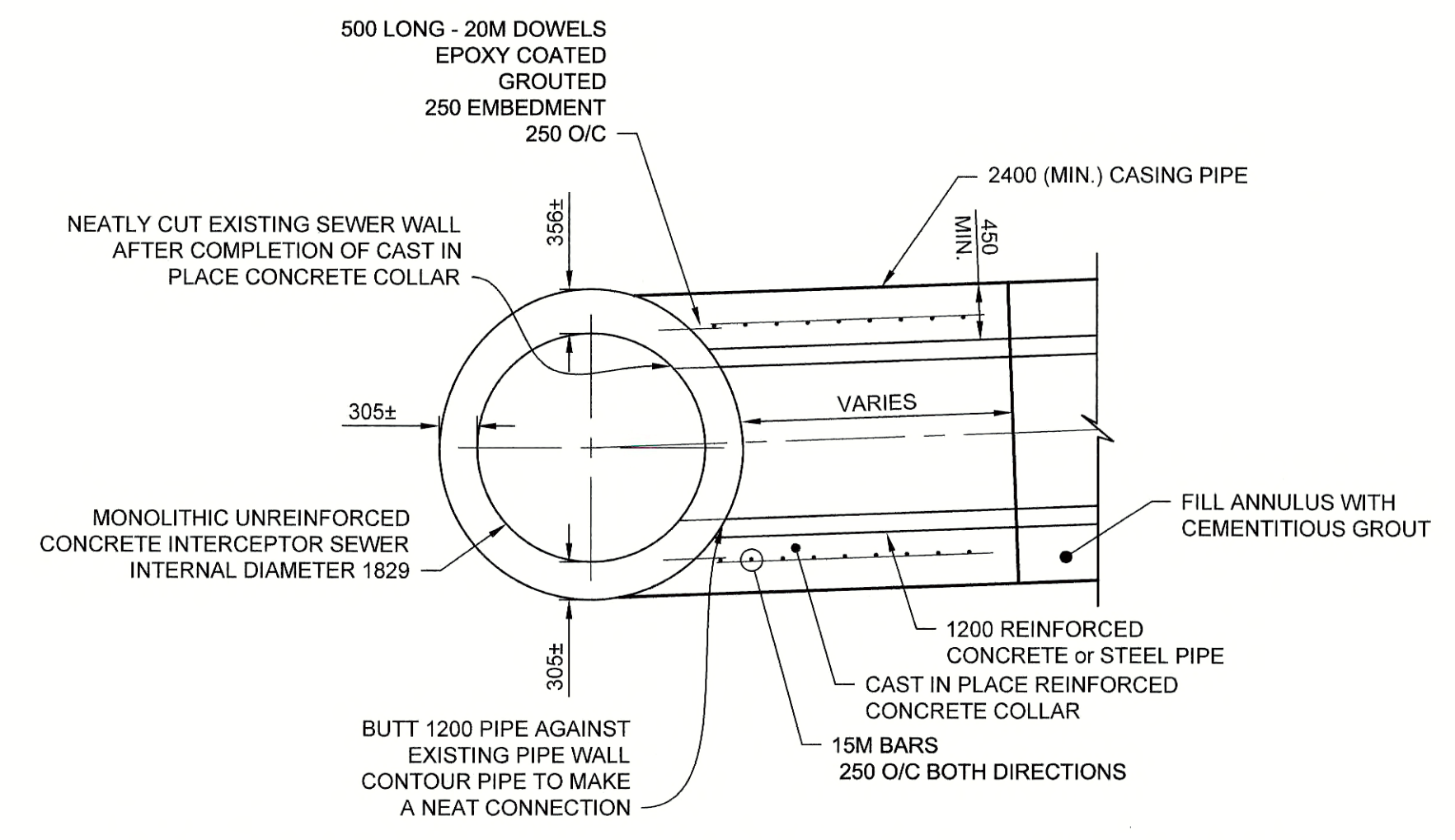
**4 TYPICAL SHAFT SEAL DETAIL**  
Scale NTS



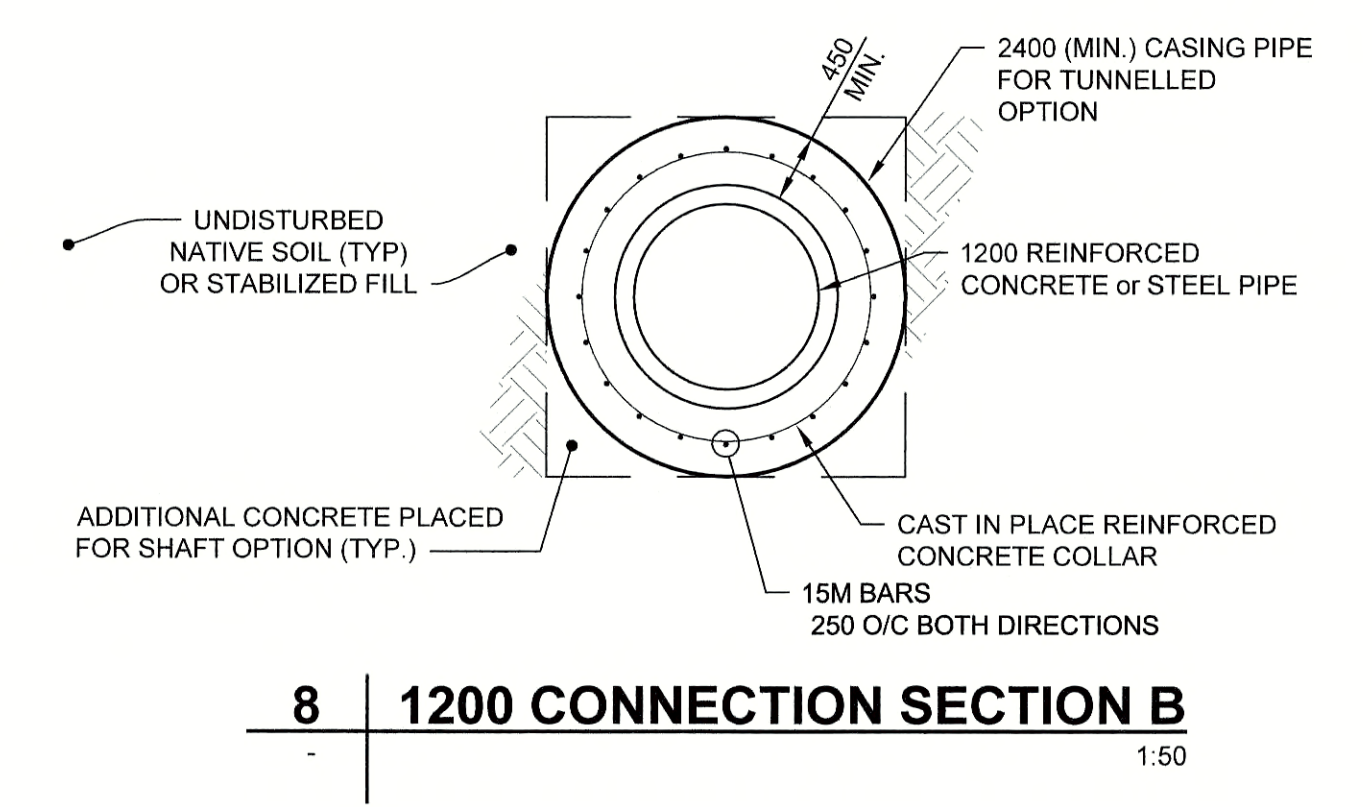
**5 TUNNEL DETAIL CONTACT GROUT OF TUNNEL PIPE**  
Scale NTS



**6 1200 CONNECTION - SHAFT OPTION SECTION A**  
1:50



**7 1200 CONNECTION - TUNNELED OPTION SECTION A**  
1:50



**8 1200 CONNECTION SECTION B**  
1:50

**METRIC**  
WHOLE NUMBERS INDICATE MILLIMETRES  
DECIMALIZED NUMBERS INDICATE METRES

LOCATION APPROVED UNDERGROUND STRUCTURES			
SUPR. U/G STRUCTURES COMMITTEE	DATE		
NOTE: LOCATION OF UNDERGROUND STRUCTURES AS SHOWN ARE BASED ON THE BEST INFORMATION AVAILABLE. BUT NO GUARANTEE IS GIVEN THAT ALL EXISTING UTILITIES ARE SHOWN OR THAT THE GIVEN LOCATIONS ARE EXACT. CONFIRMATION OF EXISTENCE AND EXACT LOCATION OF ALL SERVICES MUST BE OBTAINED FROM THE INDIVIDUAL UTILITIES BEFORE PROCEEDING WITH CONSTRUCTION.			
NO.	ISSUED FOR CONSTRUCTION	18/04/24	KLC
NO.	REVISIONS	YYMMDD	BY

<b>AECOM</b>	
DESIGNED BY: ADB	CHECKED BY: [Signature]
DRAWN BY: KLC	APPROVED BY: [Signature]
HOR. SCALE: AS NOTED	RELEASED FOR CONSTRUCTION: [Signature]
VERT. SCALE: AS NOTED	DATE: Apr 24/18

**APECM**  
Certificate of Authorization  
AECOM Canada Ltd.  
No. 4671 Date: Apr 12/18

PROFESSIONAL'S SEAL  
PROVINCE OF MANITOBA  
BRAIN  
Member  
24459  
P. L. Z. W. S. M. I. E. E.  
CONSULTANT DRAWING NO.  
60509089-SHT-30-0000-C-1006

**THE CITY OF WINNIPEG WATER AND WASTE DEPARTMENT**

**NORTHEAST INTERCEPTOR SEWER RIVER CROSSING**

MISCELLANEOUS CIVIL DETAILS 1

SHEET 06 OF 11  
CITY DRAWING NUMBER  
11672  
REV 0

BID OPPORTUNITY NO. 1136-2017B