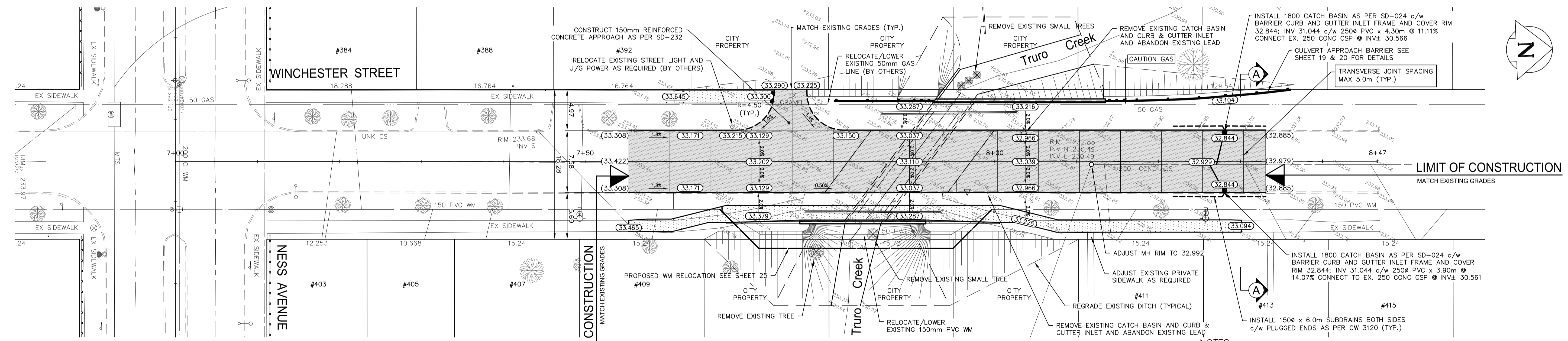
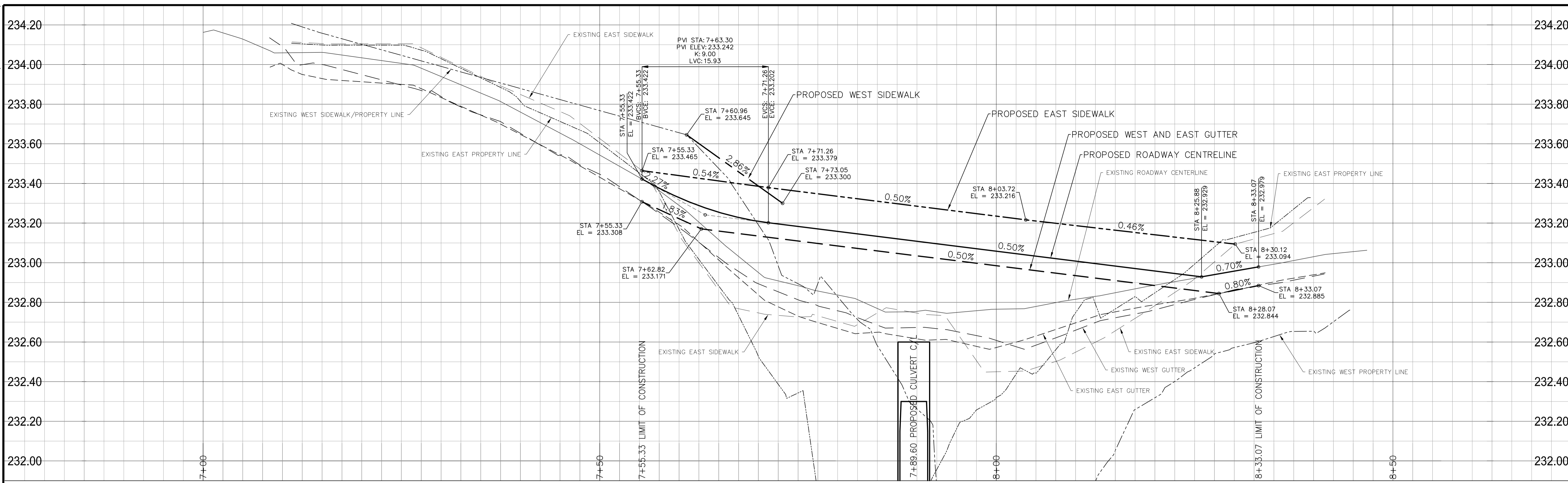


A1 SIZE (594 mm x 841 mm) | Last saved by: 220330 PM | Layout: 24 Road Reconstruction Plan Profile and Section | File: P:\2017\17M-00806-00 - Truro Creek Culvert Replacements\Win\Drawings\17M-00806-00 Truro Creek Culvert Replacements DD Winchester St 24 road reconstruction plan profile and section.dwg



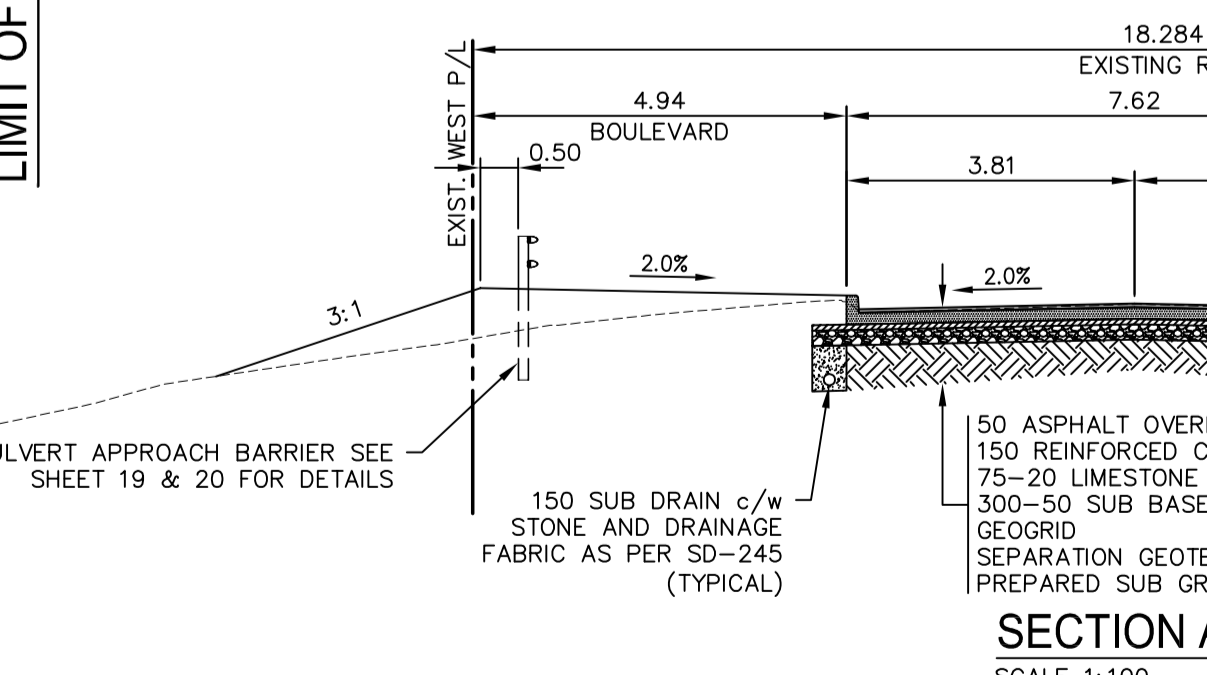
ENGINEERS GEOSCIENTISTS MANITOBA
WSP Canada Group Limited
 No. 6657

NOTE: These design documents are prepared solely for the use by the party with whom the design professional has entered into a contract and there are no representations of any kind made by the design professional to any party with whom the design professional has not entered into a contract.

	WATER MAIN		HYDRO POLE & LIGHT STANDARD
	LAND DRAINAGE SEWER		LIGHT STANDARD OR TRAFFIC SIGNAL
	WASTE WATER SEWER		HYDRO POLE
	HYDRO		SIGN
	M.T.S.		CURB RAMP
	GAS		DETECTABLE WARNING SURFACE TILE
	SIGNALS		EDGE OF SIDEWALK
	MANHOLE		FENCE
	CATCH BASIN		PROPERTY LINE
	CURB INLET/CATCH PIT		EDGE OF ASPHALT
	UTILITIES ADJUSTED		EDGE OF CONCRETE
	PLUG		MODIFIED BARRIER CURB
	HYDRANT		BARRIER CURB
	VALVE		MODIFIED BARRIER CURB
	CURB STOP		CONCRETE SIDEWALK/MEDIAN
	GROUND GRADE (31.00)		CONCRETE PAVEMENT
	PAVEMENT GRADE (31.00)		ASPHALT OVERLAY
	ANCHOR		ASPHALT MILLING/PAVEMENT
	CIVIC ADDRESS #111		EXISTING LEGEND-PLAN
	IRON BAR		PROPOSED LEGEND-PLAN
	EXISTING LEGEND-PROFILE		EXISTING LEGEND-PROFILE
	PROPOSED LEGEND-PROFILE		PROPOSED LEGEND-PROFILE

LOCATIONS APPROVED UNDERGROUND STRUCTURES
 SIGNED BY: _____ DATE: _____
 SUPV U/G STRUCTURES

LOCATION OF UNDERGROUND STRUCTURES AS SHOWN ARE BASED ON THE BEST INFORMATION AVAILABLE BUT NO GUARANTEE IS GIVEN THAT ALL EXISTING UTILITIES ARE SHOWN OR THAT THE GIVEN LOCATIONS ARE EXACT CONFIRMATION OF EXISTANCE AND EXACT LOCATION OF ALL SERVICES MUST BE OBTAINED FROM THE INDIVIDUAL UTILITIES BEFORE PROCEEDING



WSP
 WSP Canada Group Limited
 93 Lombard Avenue, Suite 111
 Winnipeg MB R3B 3B1
 T+1 204-943-3178
 F+1 204-943-4948
 www.wsp.com

ENGINEER'S SEAL
V.M. MAROTI
 REGISTERED PROFESSIONAL ENGINEER

THE CITY OF WINNIPEG
PUBLIC WORKS DEPARTMENT
ENGINEERING DIVISION

TRURO CREEK CULVERT REPLACEMENT AT WINCHESTER STREET

CITY DRAWING NUMBER: **C322-17-24**
 BID OPPORTUNITY NUMBER: **1014-2017**
 SHEET **24** OF **25**
 ROAD RECONSTRUCTION PLAN PROFILE AND SECTION

CONSULTANT PROJECT No: **17M-00806-00**

NOTES:

1. ALL WORK AND MATERIALS TO BE IN ACCORDANCE WITH THE LATEST REVISION OF THE CITY OF WINNIPEG STANDARD CONSTRUCTION SPECIFICATIONS.
2. ALL ROADWAY DIMENSIONS SHOWN ARE TO BACK OF CURB.
3. ADD 200.00 TO ELEVATIONS TO OBTAIN GEODETIC ELEVATION.
4. ALL PRIVATE WALKWAYS TO BE ADJUSTED TO NEW SIDEWALK OR TOP OF CURB ELEVATION, AS REQUIRED.
5. TRAFFIC SERVICES TO PAINT TRAFFIC LINES AND BICYCLE LANE MARKINGS.
6. MODIFIED BARRIER CURB TO BE CONSTRUCTED AT ALL INTERSECTION RADI AND BACKLANE RADI.
7. NO LIMESTONE OR CRUSHED CONCRETE BASE COURSE MATERIAL WILL BE PERMITTED WHEN CONSTRUCTING SIDEWALK WITHIN 5m OF AN EXISTING BOULEVARD TREE AS DIRECTED AND APPROVED BY THE CONTRACT ADMINISTRATOR.
8. ADJUST MH, CB RIMS, AND VALVES TO NEW GRADES.
9. CONTRACTORS TO TAKE PRECAUTIONARY STEPS TO PROTECT EXISTING TREES WITHIN THE LIMITS OF CONSTRUCTION FROM DAMAGE FROM CONSTRUCTION ACTIVITIES AS OUTLINED IN THE SPECIFICATIONS.
10. CONTRACTOR TO CONFIRM THE LOCATION OF ALL UTILITIES/SERVICES IN THE FIELD PRIOR TO CONSTRUCTION.
11. LIGHT STANDARDS, HYDRO POLES, AND ANCHORS THAT REQUIRE TEMPORARY SUPPORT, REMOVAL OR REPLACEMENT, TO BE DONE SO AT THE EXPENSE OF THE CONTRACTOR AS NECESSARY.
12. ALL BOULEVARDS TO BE SODDED UNLESS OTHERWISE NOTED.
13. ALL EXISTING LONG WATER SERVICES TO BE INSULATED AS PER SD-018 (AS REQUIRED).

METRIC
 WHOLE NUMBERS INDICATE MILLIMETRES
 DECIMALIZED NUMBERS INDICATE METRES