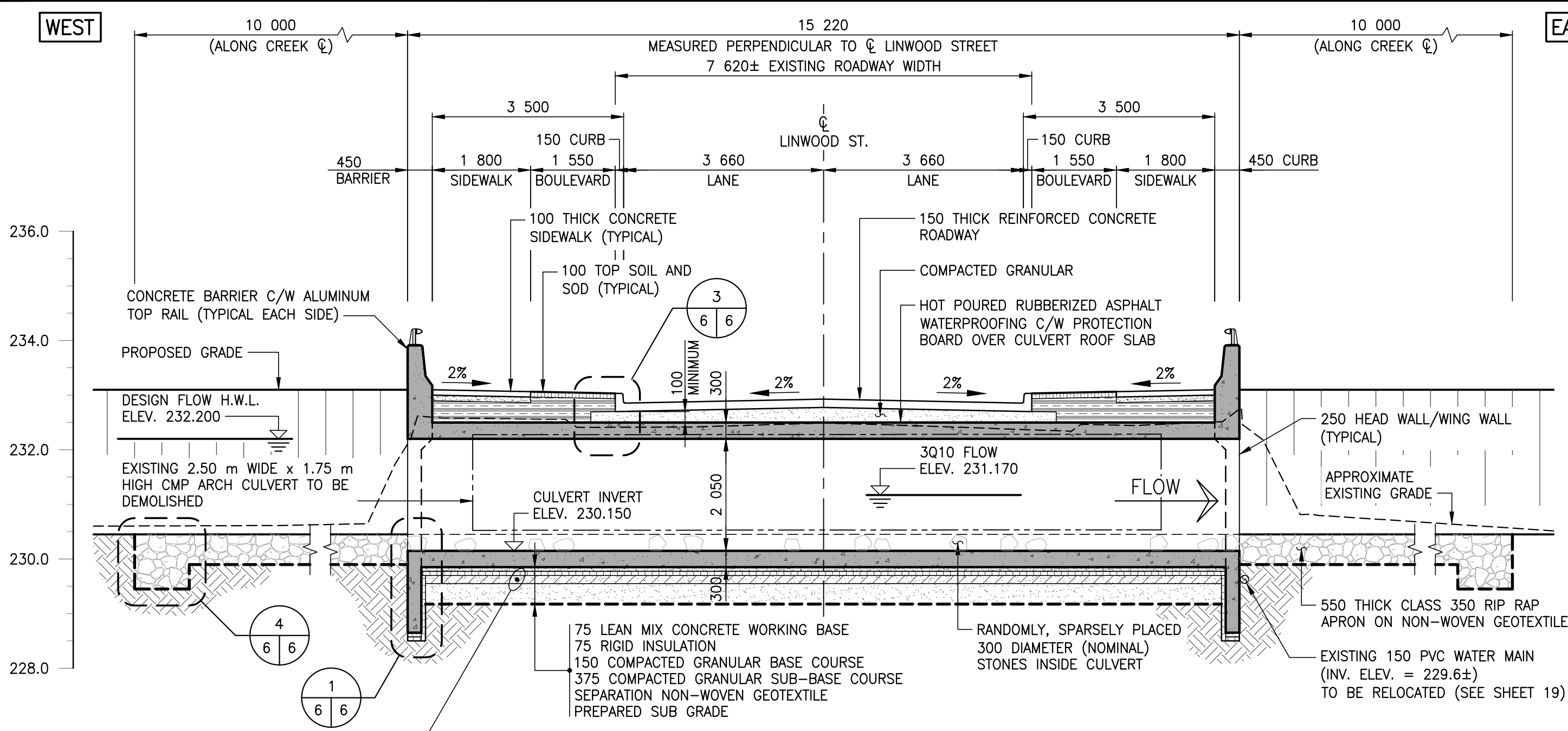
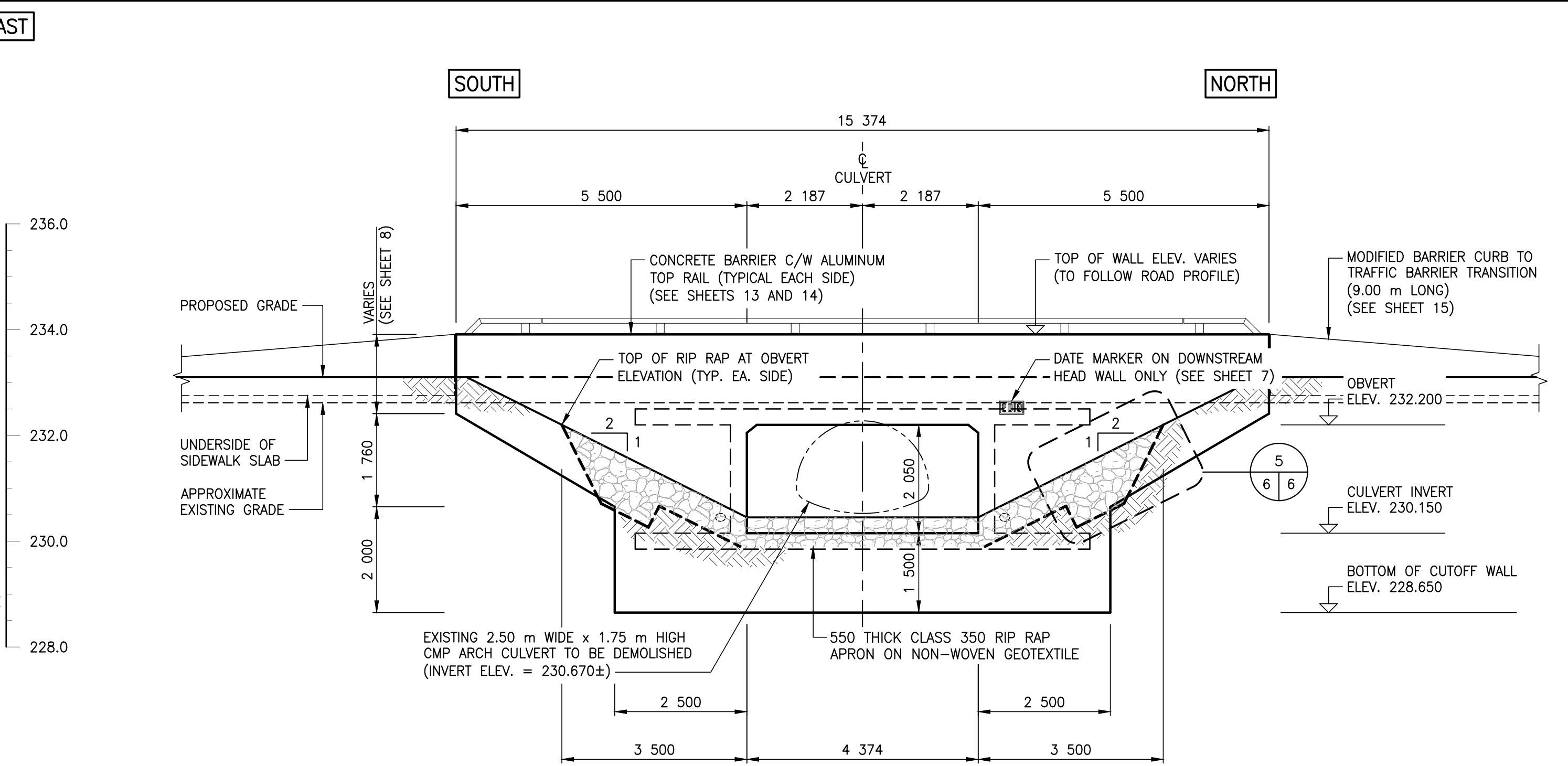


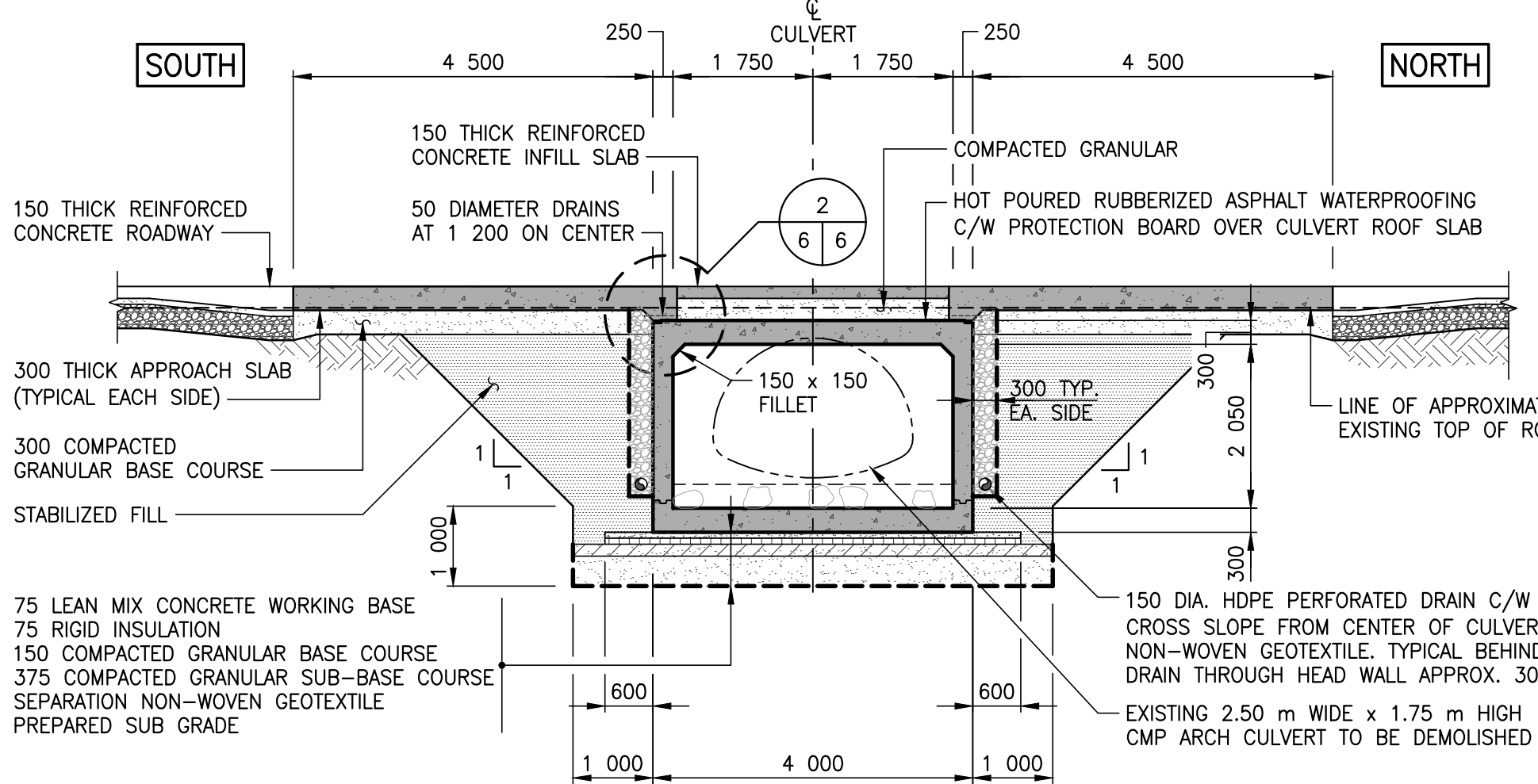
A1 SIZE (594 mm x 841 mm) | Layout: 6 Sections and Details | File: P:\2017\17M-00806-00 - Truro Creek Culvert Replacement\MM Drawings\17M-00806-00 Truro Creek Culvert Replacements DD Linwood 05 06 general arrangement.dwg | Plot: November 24, 2017 at 10:35:09 AM | Last saved by: Paterson



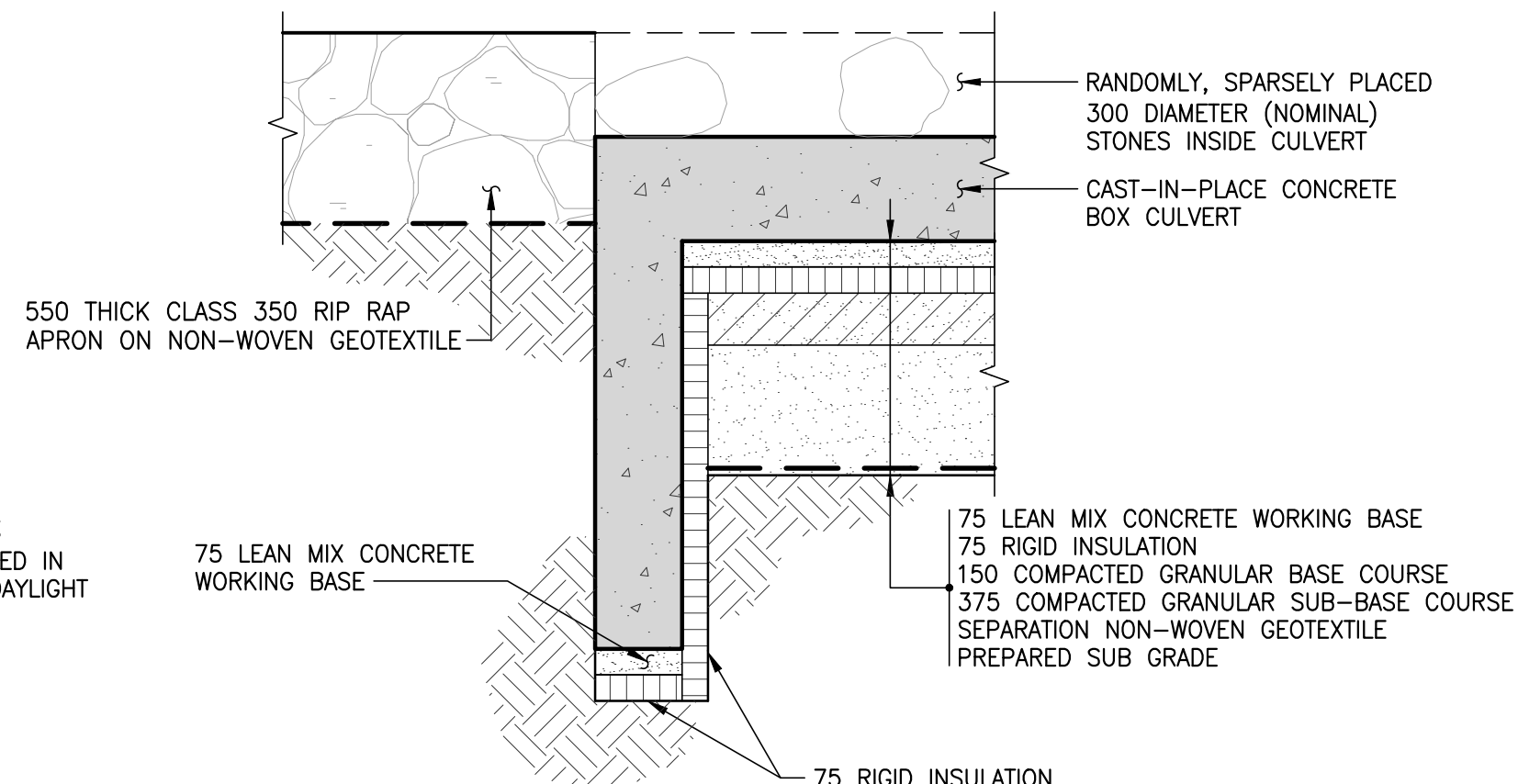
**SECTION PERPENDICULAR TO ROADWAY AT CULVERT (A)**  
SCALE 1:75



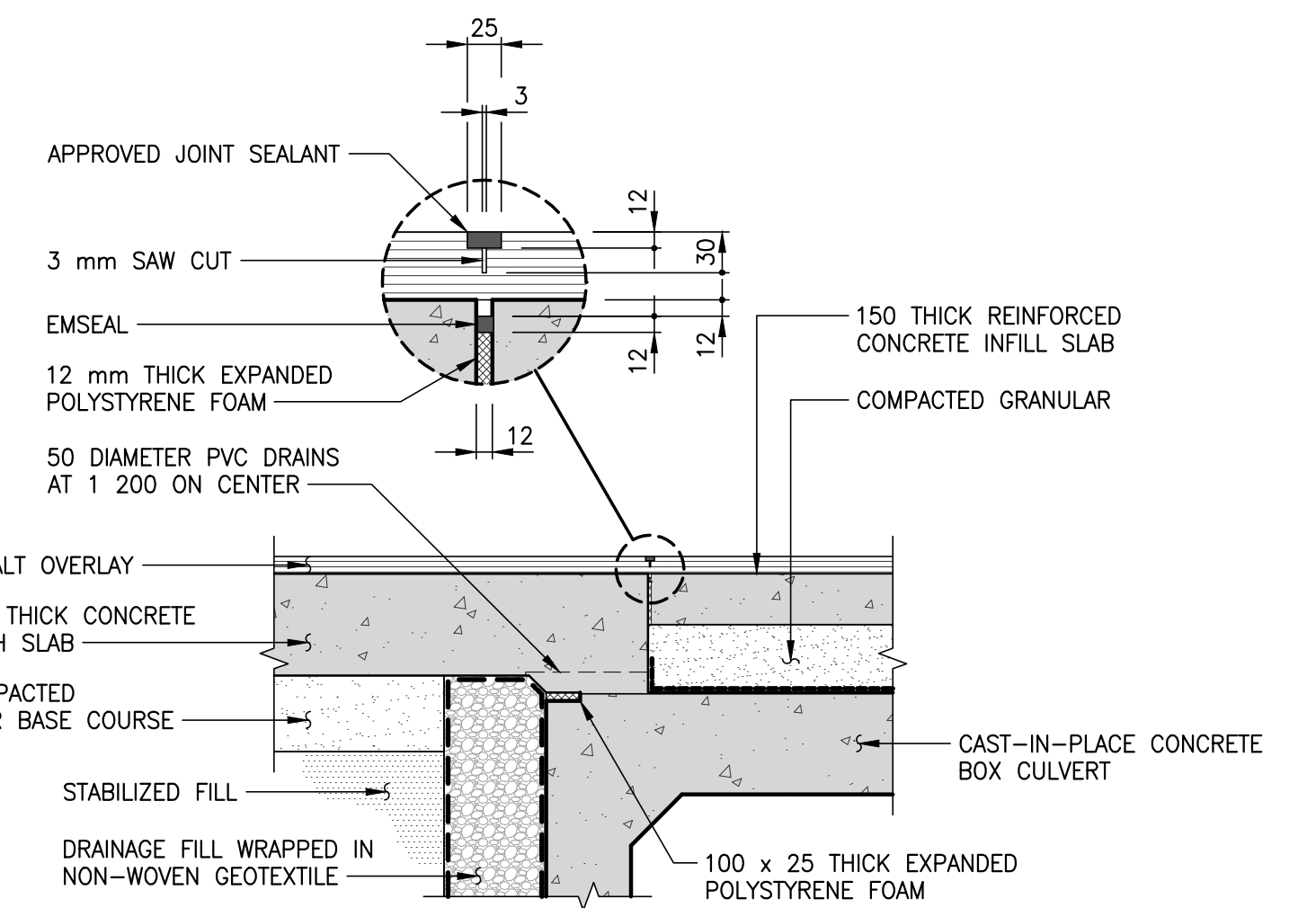
**DOWNSTREAM ELEVATION (B)**  
(UPSTREAM ELEVATION SIMILAR) SCALE 1:75



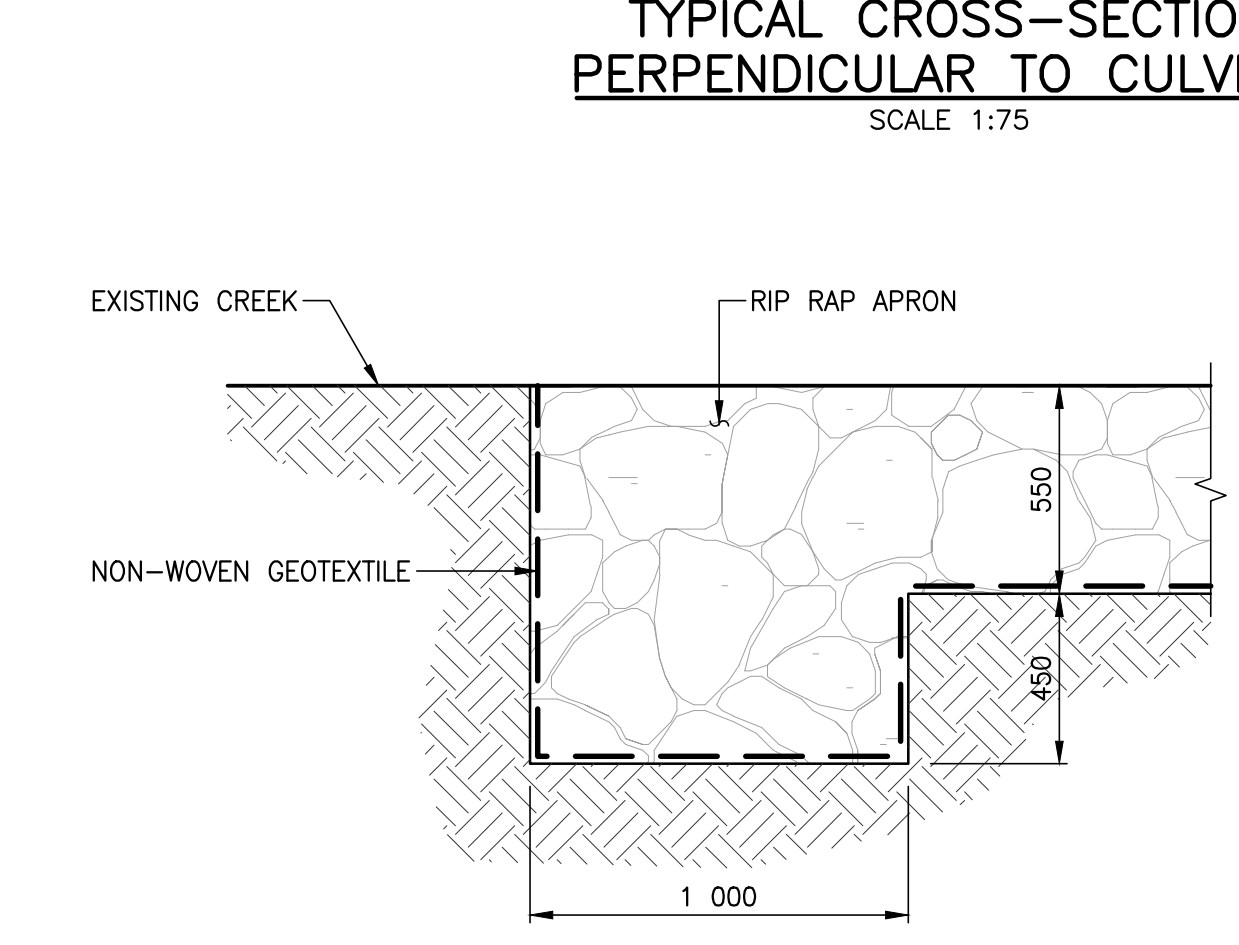
**TYPICAL CROSS-SECTION PERPENDICULAR TO CULVERT (C)**  
SCALE 1:75



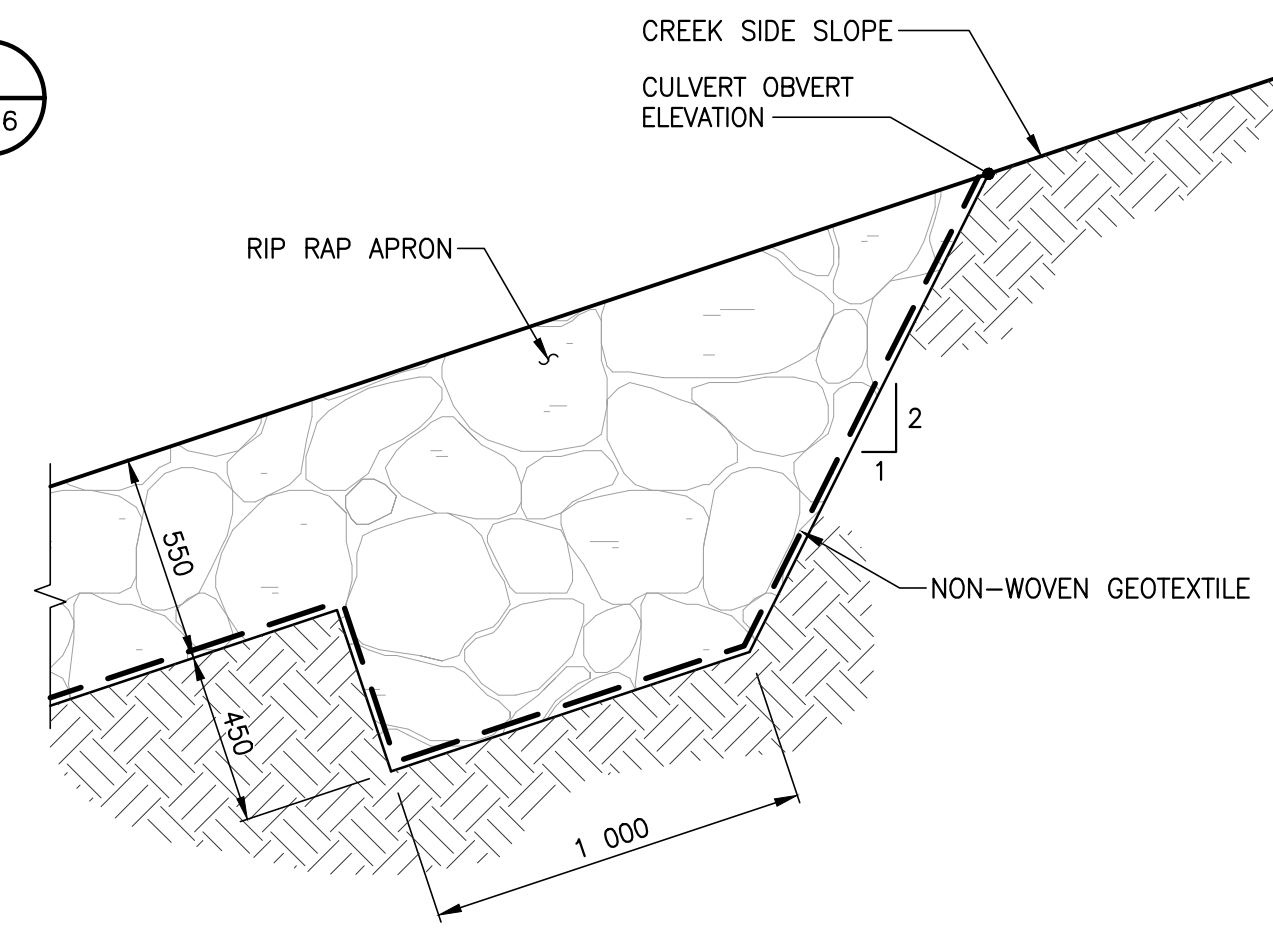
**DETAIL 1**  
SCALE 1:20



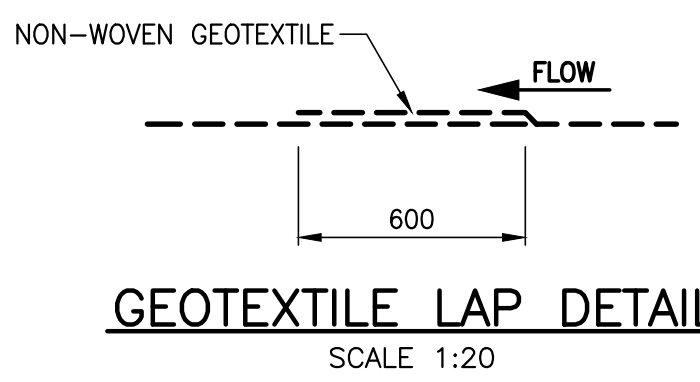
**DETAIL 2**  
SCALE 1:20



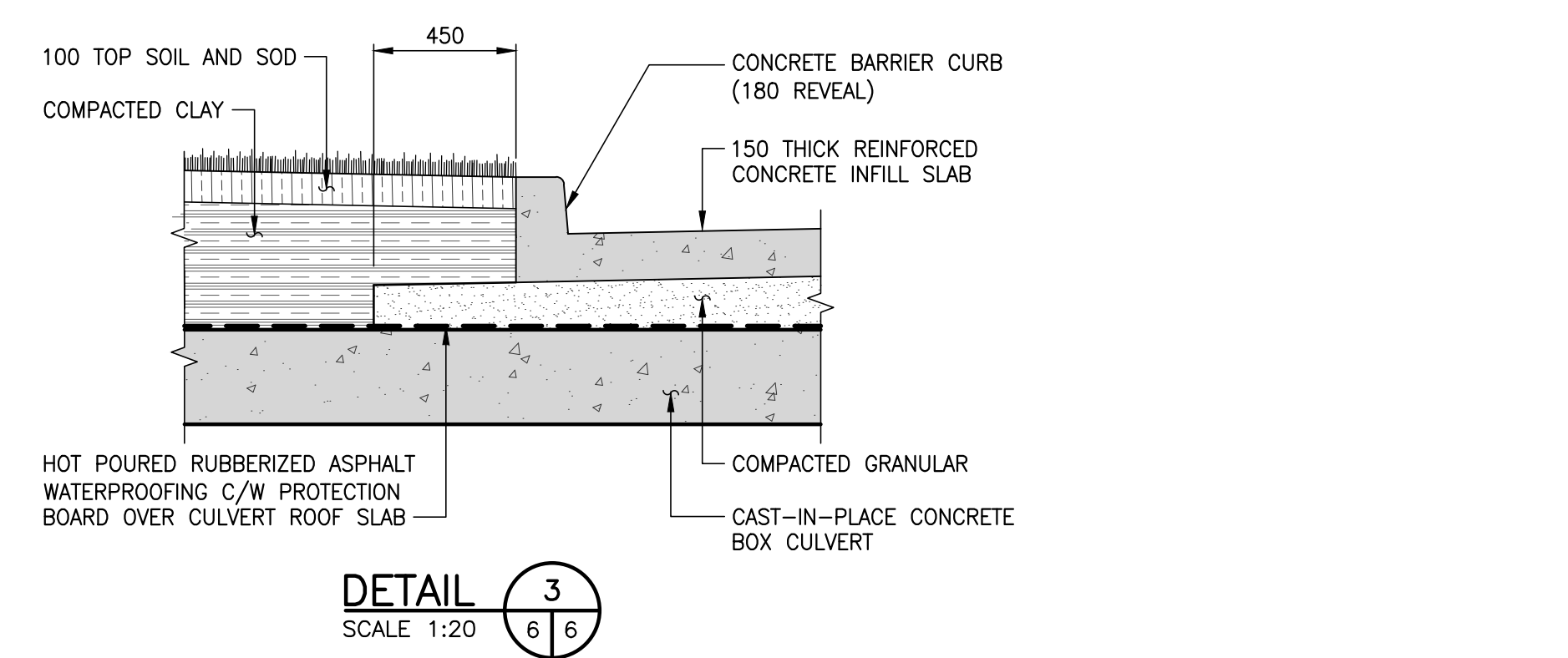
**DETAIL 4**  
SCALE 1:20



**DETAIL 5**  
SCALE 1:20



**GEOTEXTILE LAP DETAIL**  
SCALE 1:20

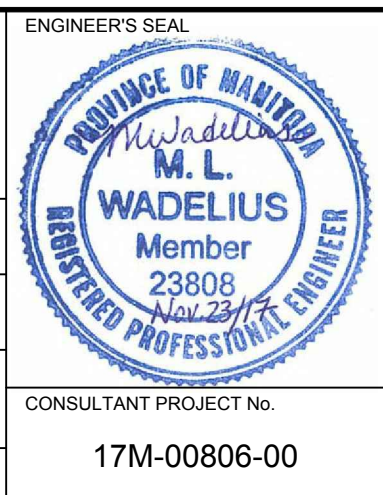


**DETAIL 3**  
SCALE 1:20



LOCATIONS APPROVED UNDERGROUND STRUCTURES			
G.B.M. = TOP NUT OF FIRST HYDRANT SOUTH OF INTERSECTION BETWEEN NESS AVENUE AND LINWOOD STREET	ELEV. = 233.659		
SIGNED BY:	DATE		
SUPV U/G STRUCTURES			
LOCATION OF UNDERGROUND STRUCTURES AS SHOWN ARE BASED ON THE BEST INFORMATION AVAILABLE BUT NO GUARANTEE IS GIVEN THAT ALL EXISTING UTILITIES ARE SHOWN OR THAT THE GIVEN LOCATIONS ARE EXACT CONFIRMATION OF EXISTENCE AND EXACT LOCATION OF ALL SERVICES MUST BE OBTAINED FROM THE INDIVIDUAL UTILITIES BEFORE PROCEEDING			
0	ISSUED FOR TENDER	17.11.23	JL
No.	REVISIONS	DATE	BY
		17.11.23	

		WSP Canada Group Limited 93 Lombard Avenue, Suite 111 Winnipeg MB R3B 3B1 T+ 1 204-943-3178 F+ 1 204-943-4948 www.wsp.com	
DESIGNED BY	MLW	CHECKED BY	WC
DRAWN BY	CP	APPROVED BY	JL
HOR. SCALE	####	RELEASED FOR CONSTRUCTION	
VERTICAL	####	DATE	17.11.23



**THE CITY OF WINNIPEG**  
 PUBLIC WORKS DEPARTMENT  
 ENGINEERING DIVISION  
**TRURO CREEK CULVERT REPLACEMENT AT LINWOOD STREET**  
 SECTION 6 OF 19  
 SHEET 6 OF 19  
 REV 0

**METRIC**  
WHOLE NUMBERS INDICATE MILLIMETRES  
DECIMALIZED NUMBERS INDICATE METRES

NOTE: These design documents are prepared solely for the use by the party with whom the design professional has entered into a contract and there are no representations of any kind made by the design professional to any party with whom the design professional has not entered into a contract.